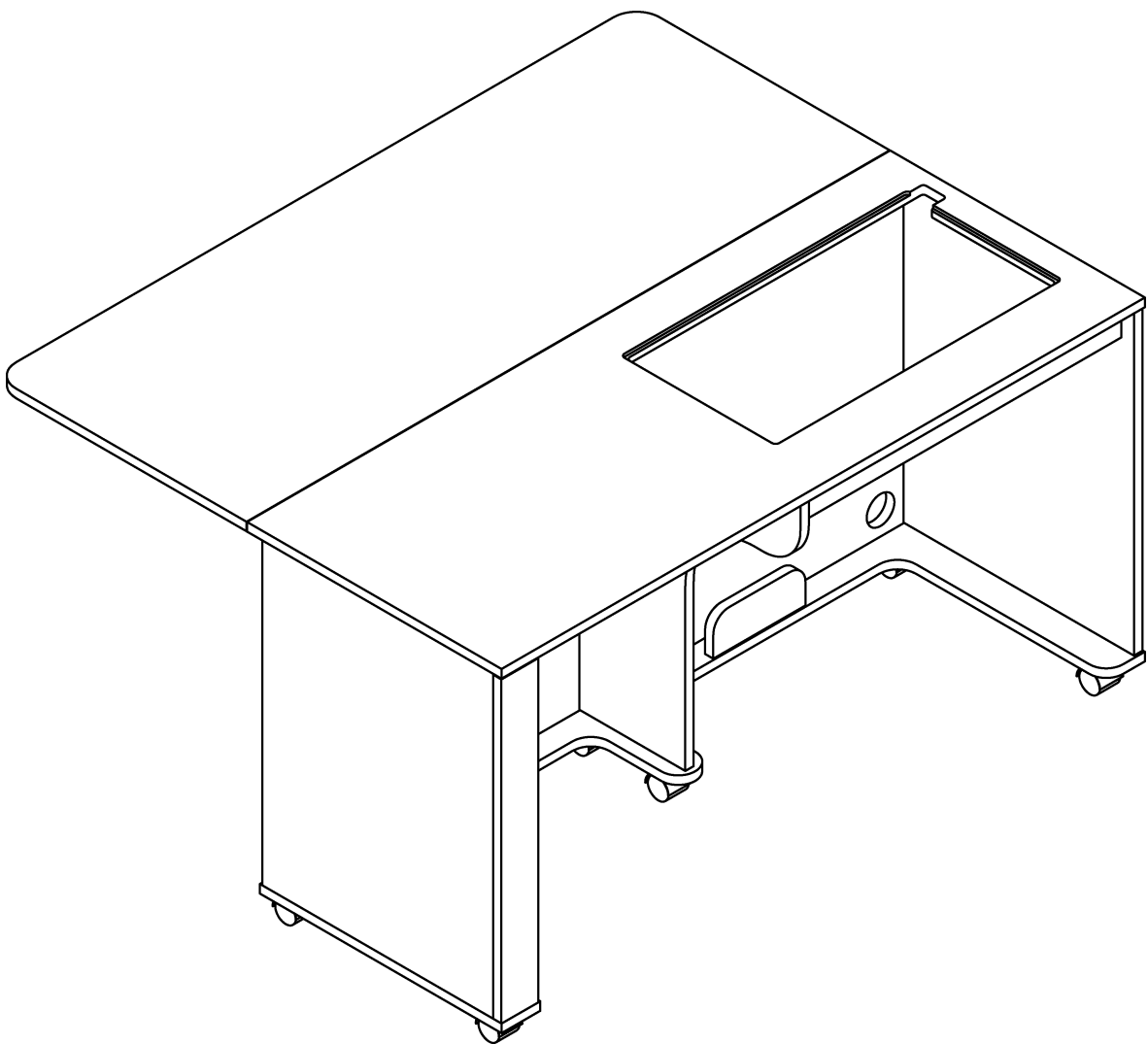


ASSEMBLY INSTRUCTION

Laverne Cabinet

ITEM No.: 455 Teak
451 White





LIMITED WARRANTY

Arrow™ Sewing Furniture 10-Year Warranty

WHAT THIS WARRANTY COVERS: Arrow Companies, LLC (Arrow) provides limited warranty coverage to the original purchaser of this product against defects in materials or workmanship of Arrow furniture components for a period of ten years from the date of purchase. As used in this Warranty, "defect" means imperfections in components which substantially impair the utility of the product. This Warranty gives you specific legal rights, and you may also have other rights which vary from state to state.

HOW TO GET SERVICE: Simply contact Arrow at 1-800-533-7347 or CS@ArrowCabinets.com. When you request warranty service, you must also present proof of purchase documentation, which includes the date of purchase (detailed receipt), and photos of the product. Arrow will replace any defective part (at its sole option), excluding labor. Replacement parts will be warranted for only the remaining period of the original Warranty.

Replacement parts will be shipped freight prepaid on any initial warranty claim during first year of Warranty only. Warranty applies only to defects confirmed by Arrow Companies, LLC and will be replaced or repaired at Arrow's option. In the event parts are no longer available for a warranty claim, customer may receive brand new cabinet at a price equal to 60% off the MSRP of a current comparable model.

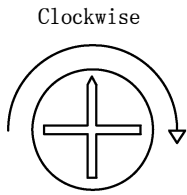
WHAT'S NOT COVERED: There is no warranty coverage for defects or conditions that result from the failure to follow product assembly instructions, information or warnings, misuse or abuse, intentional damage, fire, flood, alteration or modification of the product, or use of the product in a manner inconsistent with its intended use, nor any condition resulting from incorrect or inadequate maintenance, cleaning, or care, or neglect, cuts or scratches. Caster damage as a result of moving furniture fully loaded or with locked casters. Damage resulting from electrical surge or lightning. Use in commercial or education environments. Arrow Sewing Furniture is designed for residential use only.

ARROW SHALL HAVE NO LIABILITY for ANY INCIDENTAL OR CONSEQUENTIAL DAMAGES OF ANY KIND and all such damages are EXCLUDED FROM THIS WARRANTY, such as loss of use, disassembly, transportation, labor or damage to property on or near the product. Some states do not allow the exclusion or limitation of incidental or consequential damages, so the above limitation or exclusion may not apply to you. The Warranty cannot be transferred to subsequent owners or users of the product, and it shall be immediately void in the event the product is resold, transferred, leased or rented to any third party or person other than the original purchaser.

ADDITIONAL LIMITATIONS:

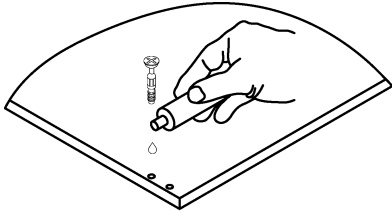
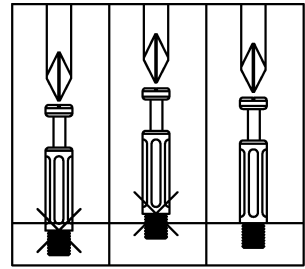
THERE ARE NO OTHER WARRANTIES APPLICABLE TO THIS PRODUCT. Under the laws of certain states, there may be no implied warranties from Arrow and all implied warranties, INCLUDING ANY IMPLIED WARRANTY OF MERCHANTABILITY OR FITNESS FOR A PARTICULAR PURPOSE are disclaimed where allowed by law. TO THE EXTENT ANY IMPLIED WARRANTIES ARE APPLICABLE, ANY IMPLIED WARRANTIES, INCLUDING ANY IMPLIED WARRANTY OF MERCHANTABILITY OR FITNESS FOR A PARTICULAR PURPOSE, ARE LIMITED IN DURATION TO THE DURATION OF THIS EXPRESS WARRANTY or the minimum period allowed by law, whichever is shorter. Some states do not allow limitations on how long an implied Warranty lasts, so the above limitation may not apply to you. This limited warranty gives you specific legal rights. This limited warranty does not, in any way, affect the rights given to you by law.

REGISTER YOUR PRODUCT: Original purchaser should register the purchase online at www.ArrowCabinets.com/warranty.

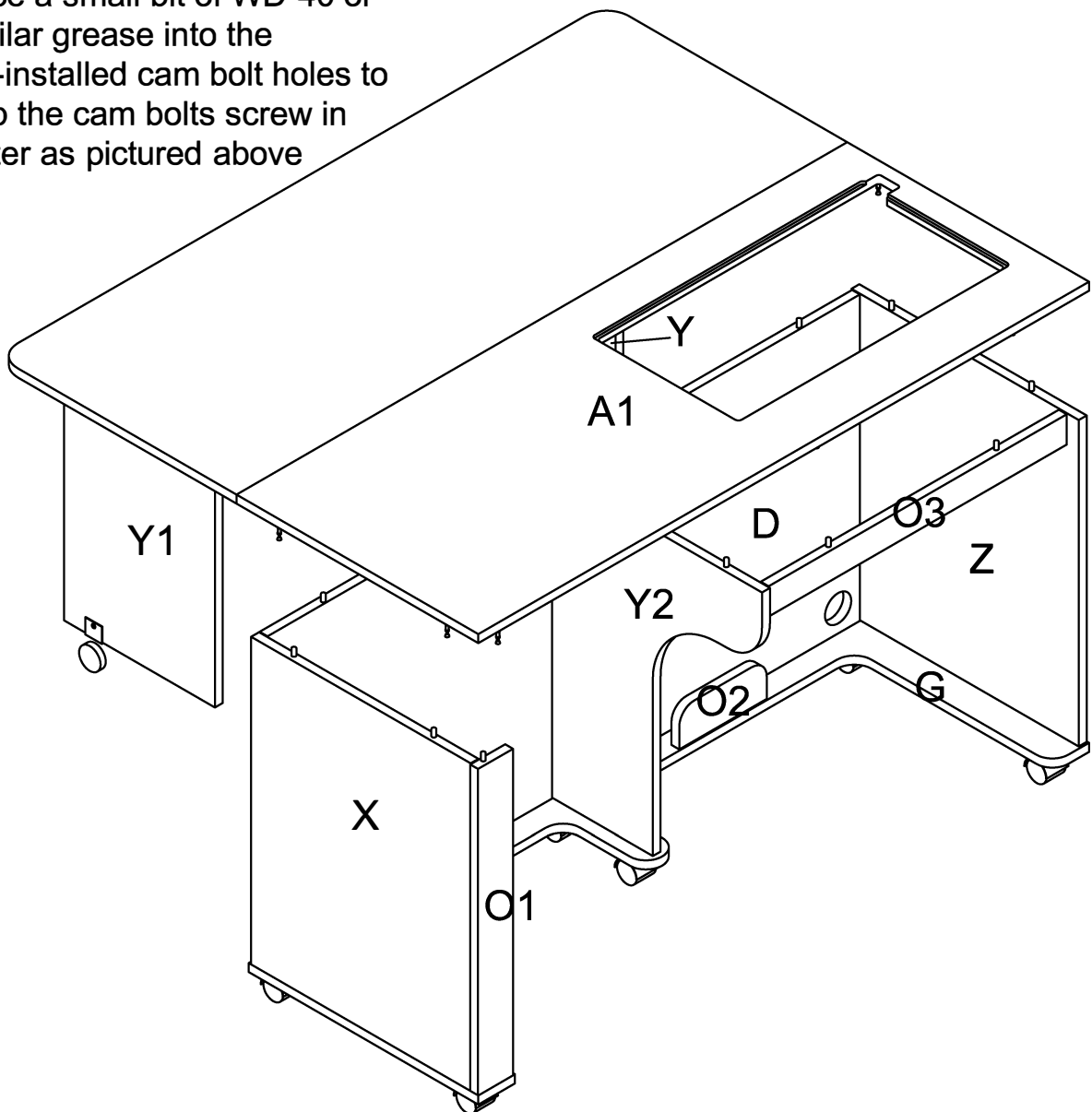


Turning direction for attaching

Incorrect Incorrect Correct



place a small bit of WD-40 or similar grease into the pre-installed cam bolt holes to help the cam bolts screw in better as pictured above

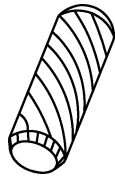


PARTS LIST

ITEM	DESCRIPTION	QTY.	ITEM	DESCRIPTION	QTY.
A1	Top panel	1	(c1)	6*35 Cam Bolt	40
A2	Top panel	1	(d1)	8*30 Dowel Pin	38
A3	Top panel	1	(c2)	(5/8") Cam Cover	40
A4	Top panel	1	(S1)	3.5*12 Screw	16
D	Back panel	1	(S2)	4*16 Screw	64
X	Left side panel	1	(b)	6*28 Bolt	2
Z	Right side panel	1	(a)	Adjustable feet	2
G	Bottom panel	1	(t1)	Castors	6
Y	Panel	1	(t2)	Castors	2
Y1	Panel	1	(b1)	Hinge	4
Y2	Panel	1	(b2)	Hinge	3
O1	Panel	1			
O2	Panels	2			
O3	Panel	1			



(c1) 6*35 Cam Bolt-40



(d1) 8*30 Dowel Pin-38



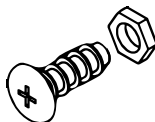
(c2) (5/8") Cam Cover-40



(S1) 3.5*12 Screw-16



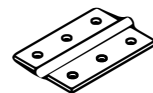
(S2) 4*16 Screw-64



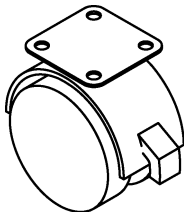
(b) 6*25 Bolts-2



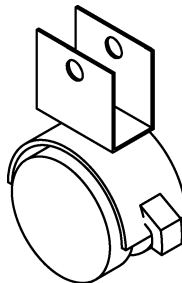
(b1) Hinge-4



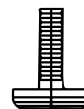
(b2) Hinge-3



(t1) Castors-6

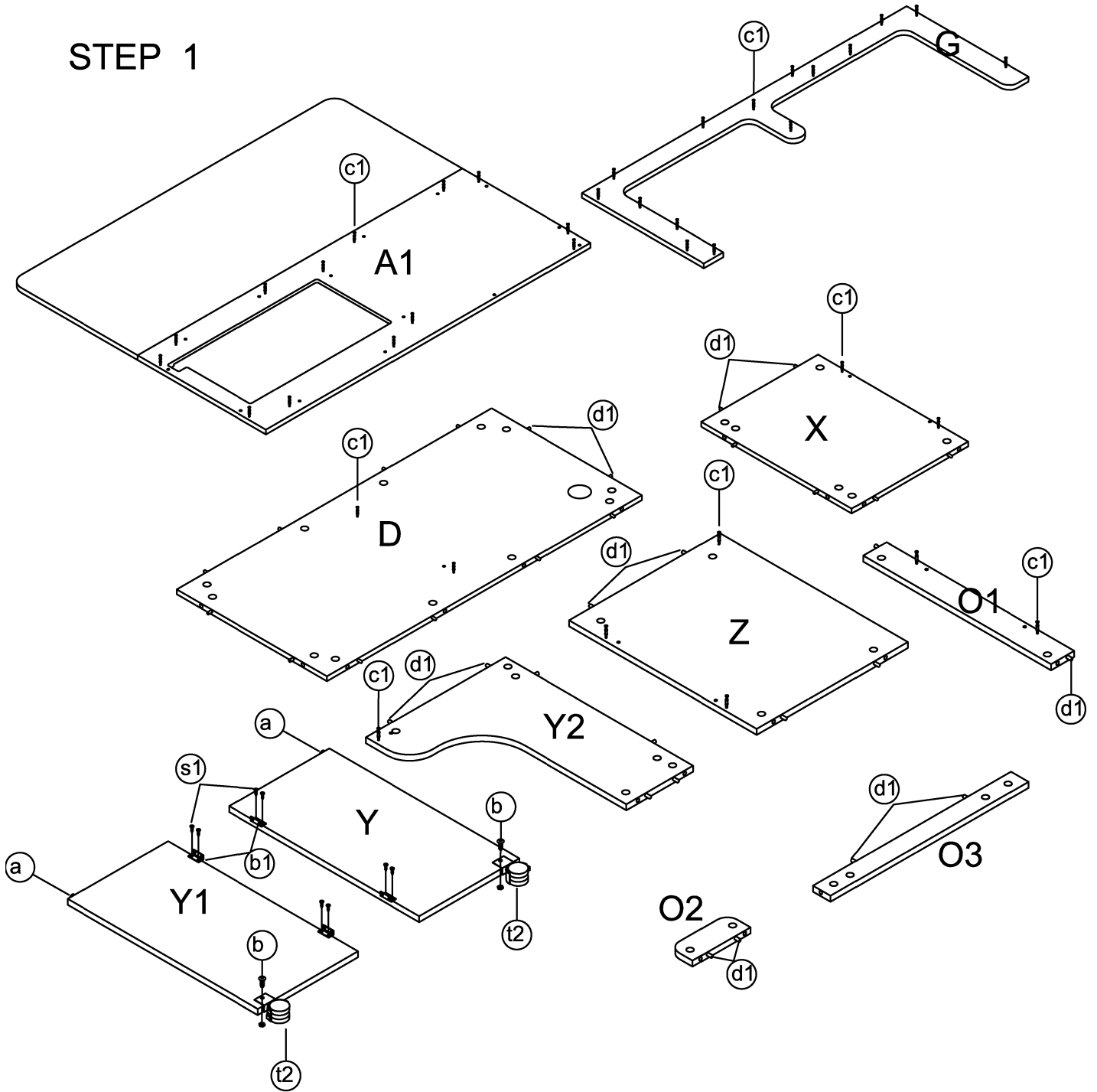


(t2) Castors-2



(a) Adjustable feet-2

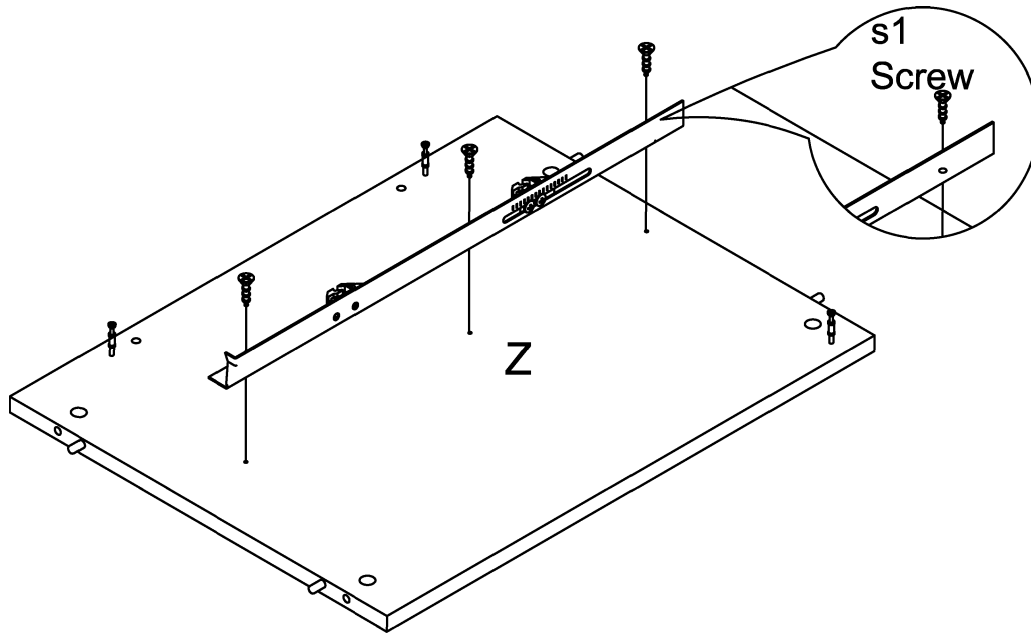
STEP 1



Preparation for top panels A1, left side panels X, right side panels Z, panel D, G, Y, Y1, Y2, O1, O2, O3 .

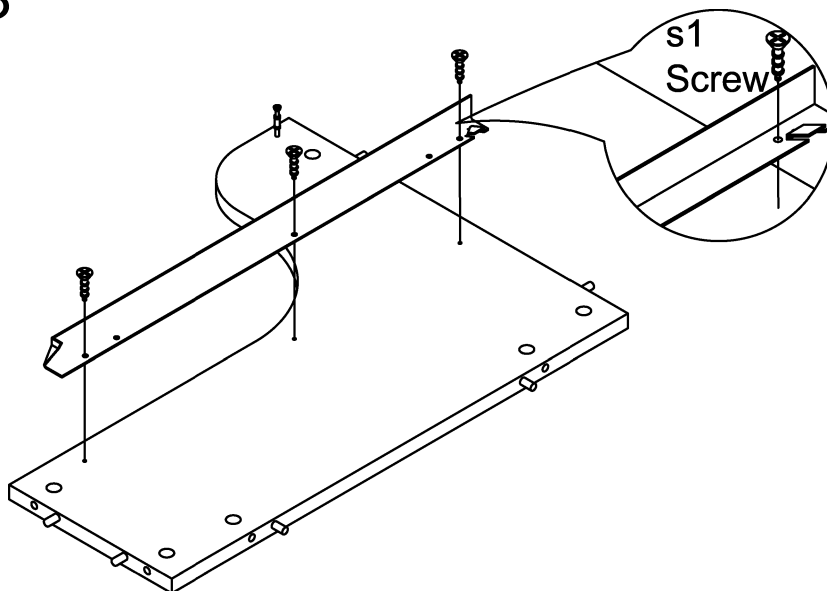
- 1、 Insert cams bolts (c1) into panels A1, X, Z, G, D, Y2 and O1 as illustrated above.
- 2、 Insert dowel pins (d1) to panels X, Z, D, Y2, O1, O2 and O3 as illustrated above.
- 3、 Fix the hinge (b1) to panels Y, Y1 with screws (s1) as illustrated above.
- 4、 Fix the castor (t2) to panels Y, Y1 with bolt (b) as illustrated above.
- 5、 Fix (a) to panels Y, Y1 as illustrated above.

STEP 2



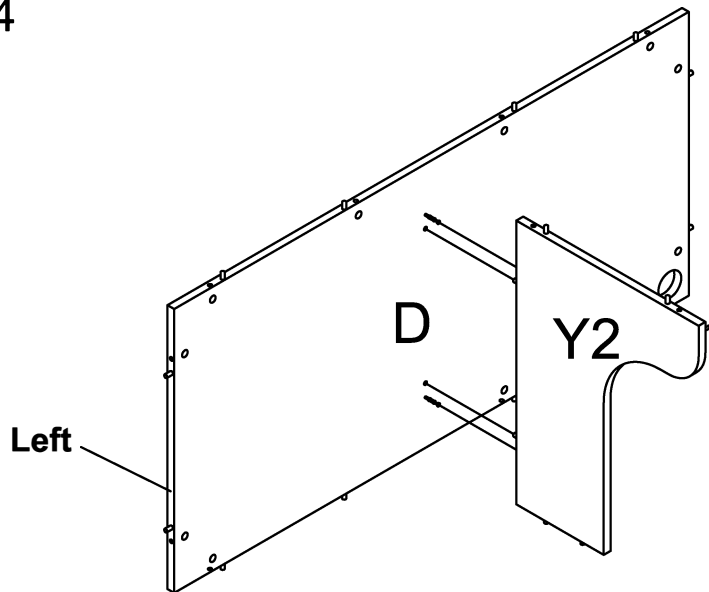
1. Fix Lifter Rail (right) to z panel with (s1) screws following predrilled holes as shown on the illustration above.

STEP 3



1. Fix Lifter Rail (left) to Y2 panel with (s1) screws following predrilled holes as shown on the illustration above.

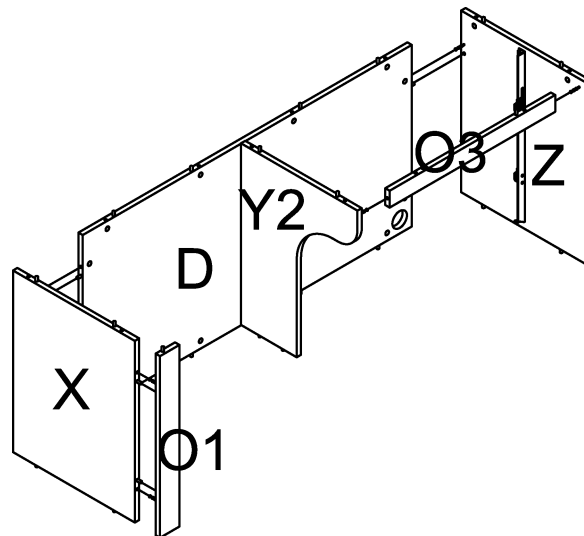
STEP 4



Panels D and Y2 assembly.

1. Insert cam bolts (C1) on panel D into cams on panel Y2 and tighten in a clockwise direction as illustrated above.

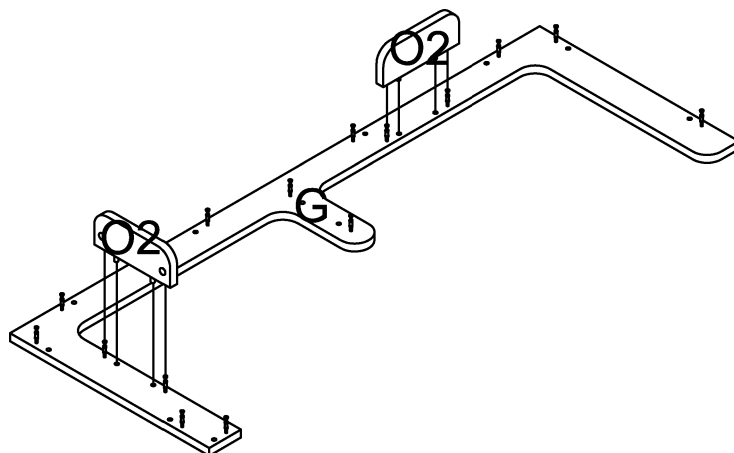
STEP 5



Panel X,Z,O1,O3 assembly.

1. Insert cam bolts (C1) on panel O1 into cams on panel X and tighten in a clockwise direction as illustrated above.
2. Insert cam bolts (C1) on panel X into cams on panel D and tighten in a clockwise direction as illustrated above.
3. Insert cam bolts (C1) on panel Y2 into cams on panel O3 and tighten in a clockwise direction as illustrated above.
4. Insert cam bolts (C1) on panel Z into cams on panels O3,D and tighten in a clockwise direction as illustrated above.

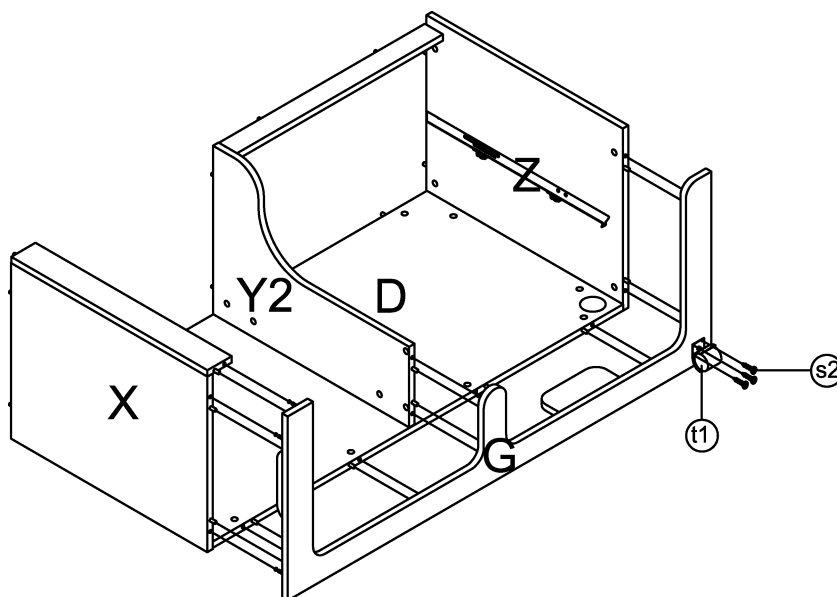
STEP 6



Panels G and O2 assembly.

1. Insert cam bolts (c1) on panel G into cams on panels O2 and tighten in a clockwise direction as illustrated above.

STEP 7

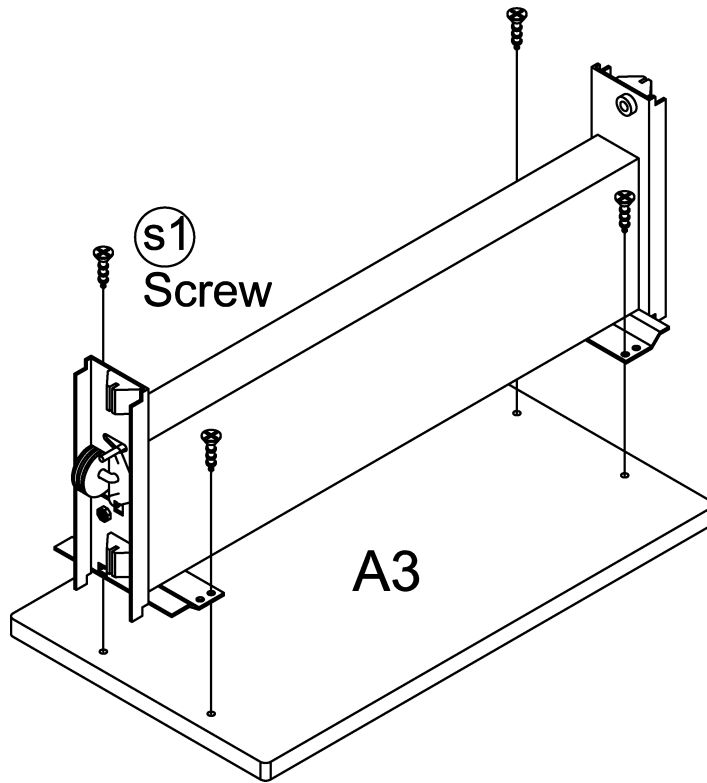


Bottom panel G assembly.

1. Insert cam bolts (c1) on panel G into cams on panels D, Y2, X, Z and tighten in a clockwise direction as illustrated above.
2. Fix the castor (t1) to panel G with screws (s2) as illustrated above.

STEP 8

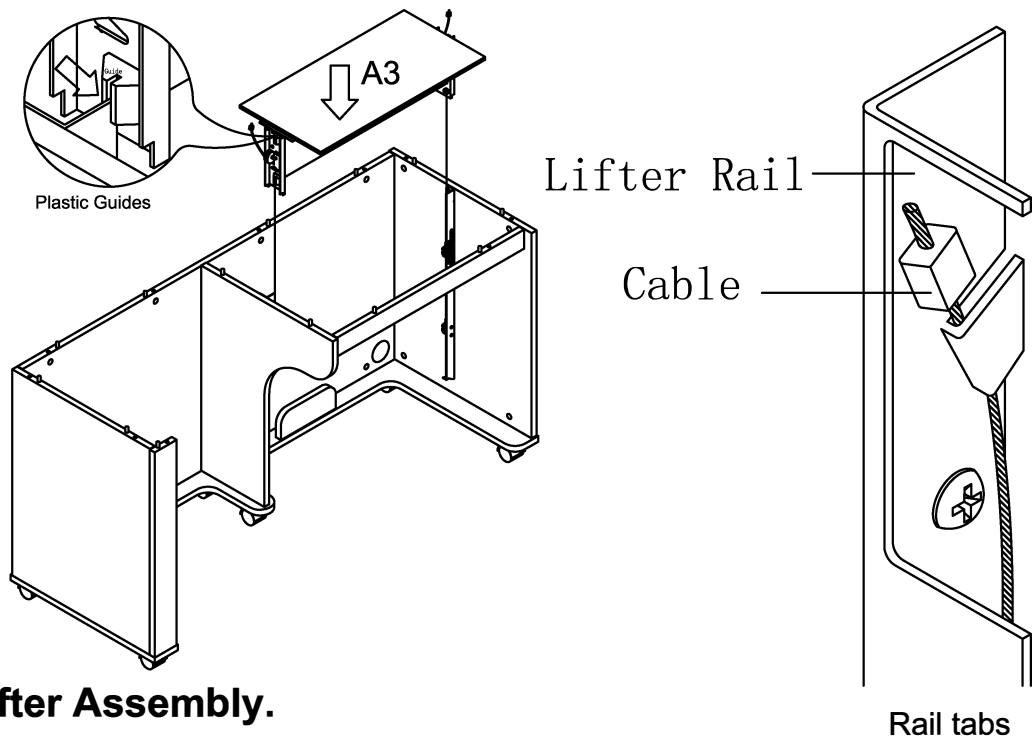
Tip: Front side of the platform A4 is installed longer towards the front in an upright position



Lifter Panel assembly.

1. Fix Lifter to A3 panel with (s1) screws following predrilled holes as shown on the illustration above.

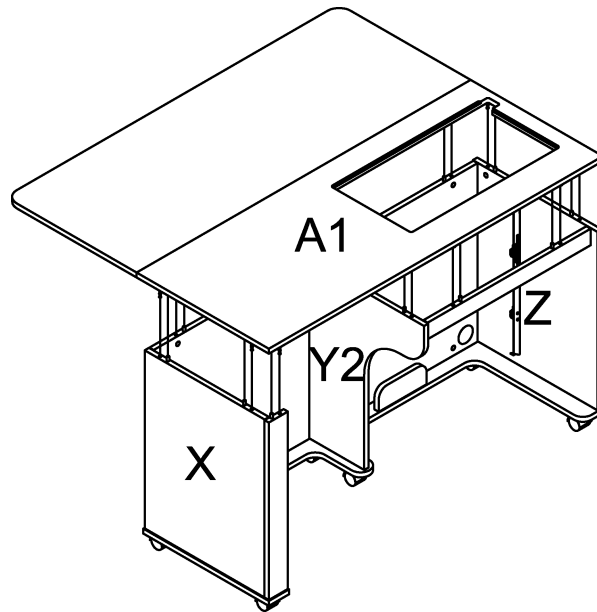
STEP 9



Mounting the Lifter Assembly.

1. Position lifter onto side rails using plastic guides; by lowering the lifter make sure the cable is catch onto the rail tabs on both sides. See illustration above.
2. When lifter pushed to first lock position remove a small wooden block that will be released from lifter.

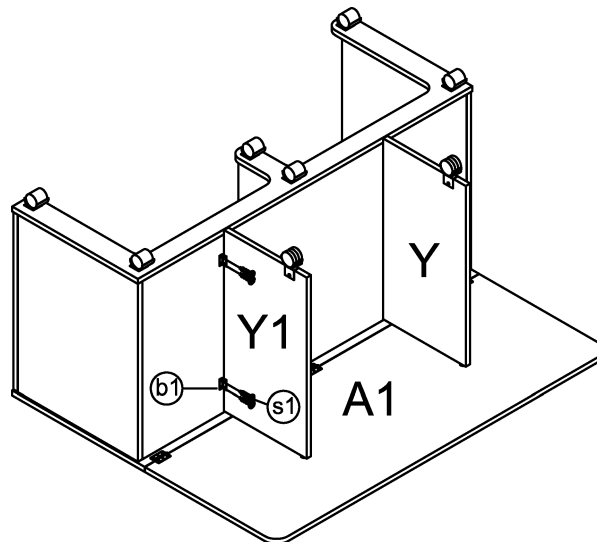
STEP 10



Top panel A1 assembly.

1. Insert cam bolts (c1) on panel A1 into cams on panels D, Y2, X, Z, O3 and tighten in a clockwise direction as illustrated above.

STEP 11



Panels Y, Y1 assembly.

1. Fix panels Y, Y1 to panel D with hinge and screw (b1) (s1) as illustrated above.

You have now successfully completed the assembly.

