

# READ THIS PAGE FIRST

## WARRANTY

Thank you for your purchase of an Arrow Sewing Chair! Our products have a one year warranty from the date of shipment for the manufacturer's defects and a 15 day warranty for any shipping damages. The warranty does not cover damage caused by abuse, mis-use, alteration, accident or neglect of the product. Under the terms of this warranty the repair and replacement of any parts shall be at the discretion of the company or their designated representatives.

Replacement Part Shipping Policy: To help protect our valuable resources, we ship all replacement parts out at the same time. This procedure lessens the use of packaging materials and fossil fuels used in transportation in order to reduce pollution. Please help us in this endeavor by reviewing ALL parts in ALL boxes for damage before calling or e-mailing us to report damage. We adhere to our environmental philosophy by only shipping replacement parts out 1 time for free. Future parts requests will be billed at the customer's expense.

The Fabric has been sprayed with a Flame Retardant solvent to reduce combustability. Caution: Chair is still flammable.  
Recommended weight limit: 275 lbs

QUESTIONS?

CALL US: 1-800-533-7347

E-MAIL: [CS@ARROWCABINETS.COM](mailto:CS@ARROWCABINETS.COM)

CHECK OUT OUR WEBSITE FOR PICTURES AND FREQUENTLY ASKED QUESTIONS AT: [WWW.ARROWCABINETS.COM](http://WWW.ARROWCABINETS.COM)

## Chair Parts



Wrench x 1



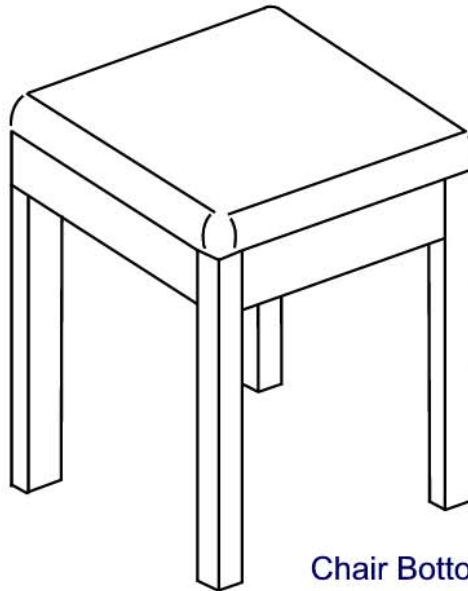
70 mm Screw x 2



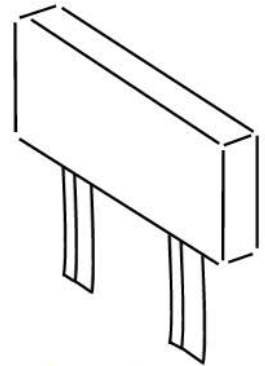
Nut x 2



Caster x 4



Chair Bottom



Chair Top

1. Verify you have received all parts listed above.
2. Flip chair bottom over. Attach casters as shown below using a mallet. (Place wood sample enclosed in box in groove between wheels on caster as shown in picture. With a mallet gently tap wood block to help caster shaft into the wood chair leg. Be careful not to break the plastic insert that is already in the wood chair leg)
3. Using the 70 mm Screws, attach the chair top to chair bottom as shown below. The nuts will attach to the bolts inside the chair and under the seat. Hold the nut with the Wrench and screw the bolt with a screwdriver or power drill until it is tight and Chair Top is stable.

Note:  
Chair has a maximum weight limit of 250 pounds.

Suggested:  
To help reduce stains, spray Chair fabric with Scotch Guard.



## Assembly

