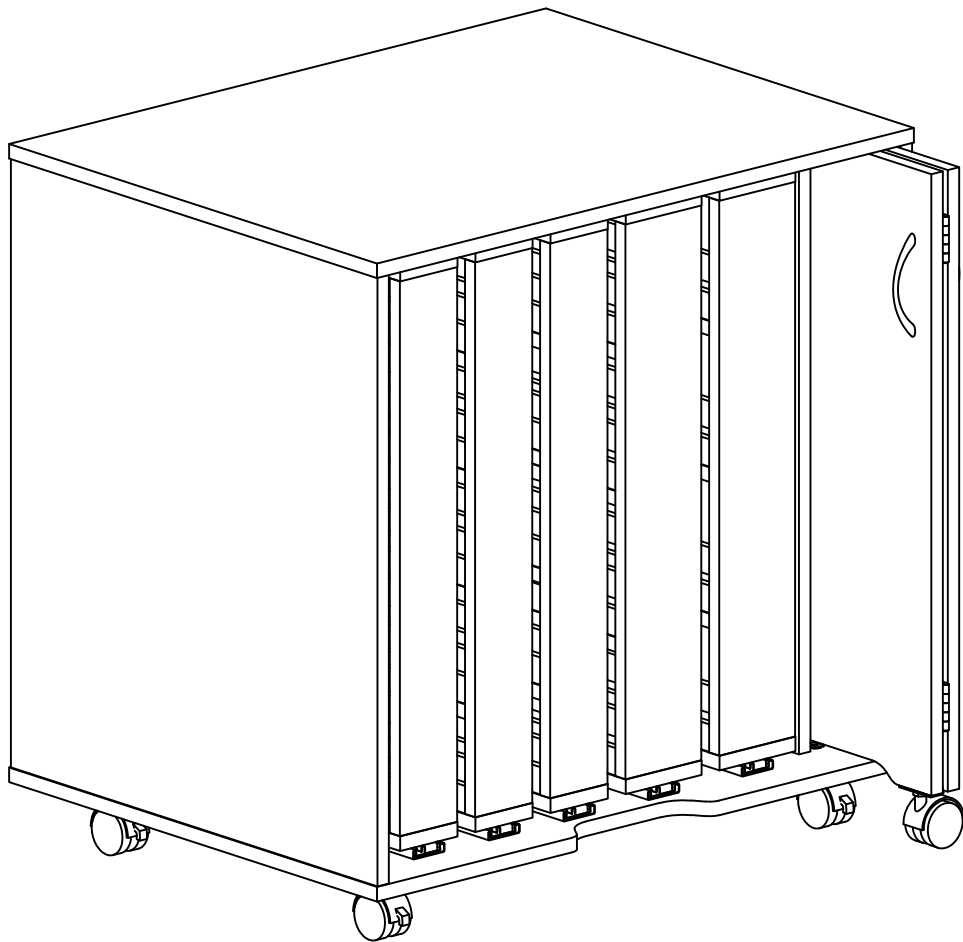
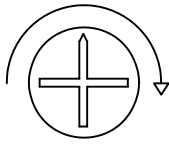


# ASSEMBLY INSTRUCTIONS

ITEM No.:2051



Assembly video can be found on our website at [www.arrowcabinets.com](http://www.arrowcabinets.com) in the Video Section.  
Questions? Call 1-800-533-7347 press 1 or Email: [cs@arrowcabinets.com](mailto:cs@arrowcabinets.com)

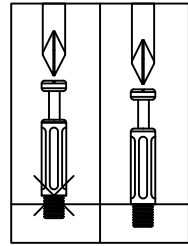


Turn clockwise to lock cam with bolt.

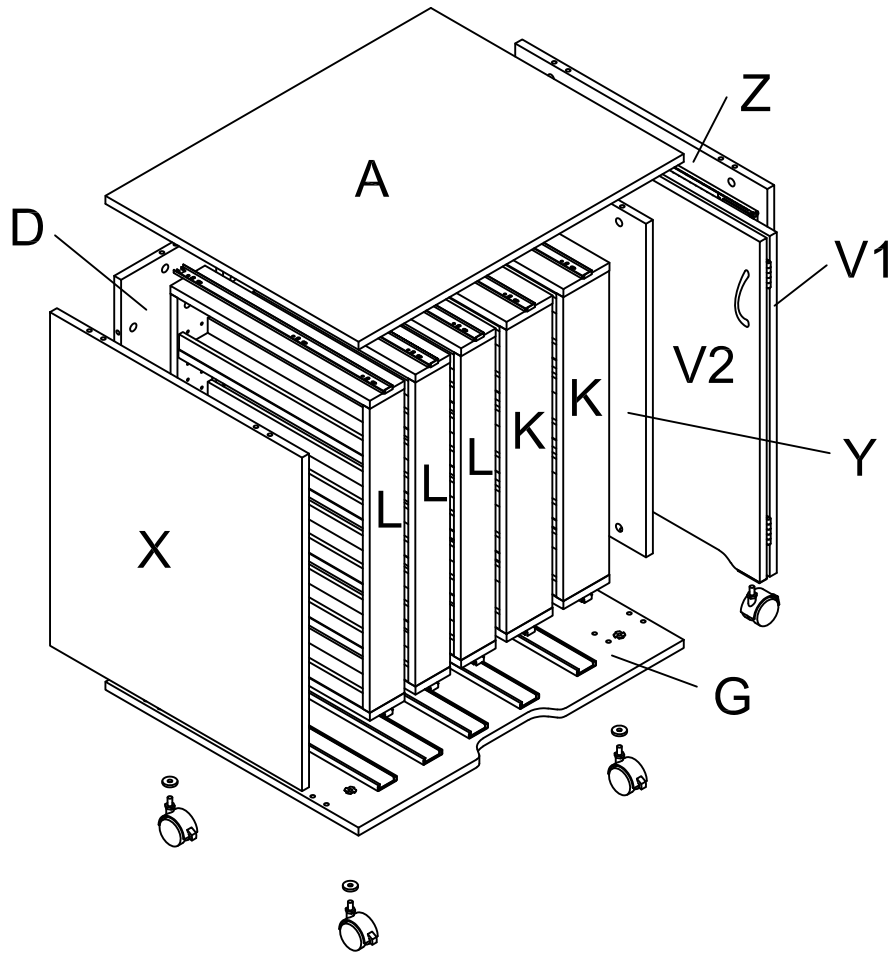


The arrow direction=front

Incorrect Correct



Screw cam bolts all the way in.



# PARTS LIST

ITEM	DESCRIPTION	QTY.	PACK.
K	Pre-assembled Thread Rack	2	1 OF 4
A	Top panel	1	2 OF 4
G	Bottom	1	2 OF 4
Z	Right Side	1	2 OF 4
D	Back	1	3 OF 4
X	Left Side	1	3 OF 4
Y	Partition	1	3 OF 4
V1	Door Left Panel	1	3 OF 4
V2	Door Right Panel	1	3 OF 4
L	Pre-assembled Thread Rack	3	4 OF 4
	Hardware and Casters Bag	1	1 OF 4

# PARTS LIST

ITEM	DESCRIPTION	QTY.	ITEM	DESCRIPTION	QTY.
(c1)	6*35 Cam Bolt	18	(h)	Handle	2
(d1)	8*30 Dowel pin	20	(h1)	Hinge	2
(c2)	(5/8") Cam Cover	20	(b2)	Fix Bolt	4
(t1)	Castor	5	(b4)	Washer	4
(r3)	14mm Spanner	1	(s1)	4*14 Screw	18
(s7)	4*6 Screw	4	(g1)	Hinge Body and Stand	2
(m)	Magnet	1	(s4)	3*14 Screw	2
			(s20)	6*50 Fix Bolt	2



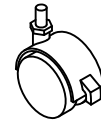
(c1) 6\*35 Cam Bolt-18



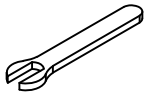
(d1) 8\*30 Dowel Pin-20



(c2) (5/8") Cam Cover-20



(t1) Castor-5



(r3) 14mm Spanner-1



(s1) 3.5\*14 Screw-18



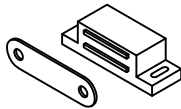
(h) Handle-2



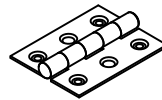
(b2) 4\*20 Fix Bolt-4



(b4) Washer-4



(m) Magnet-1



(h1) Hinge-2



(s7) 4\*6 Screw-4



(g1) Hinge Body-2 and Hingge Stand-2



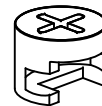
(s4) 3\*14 Screw-2



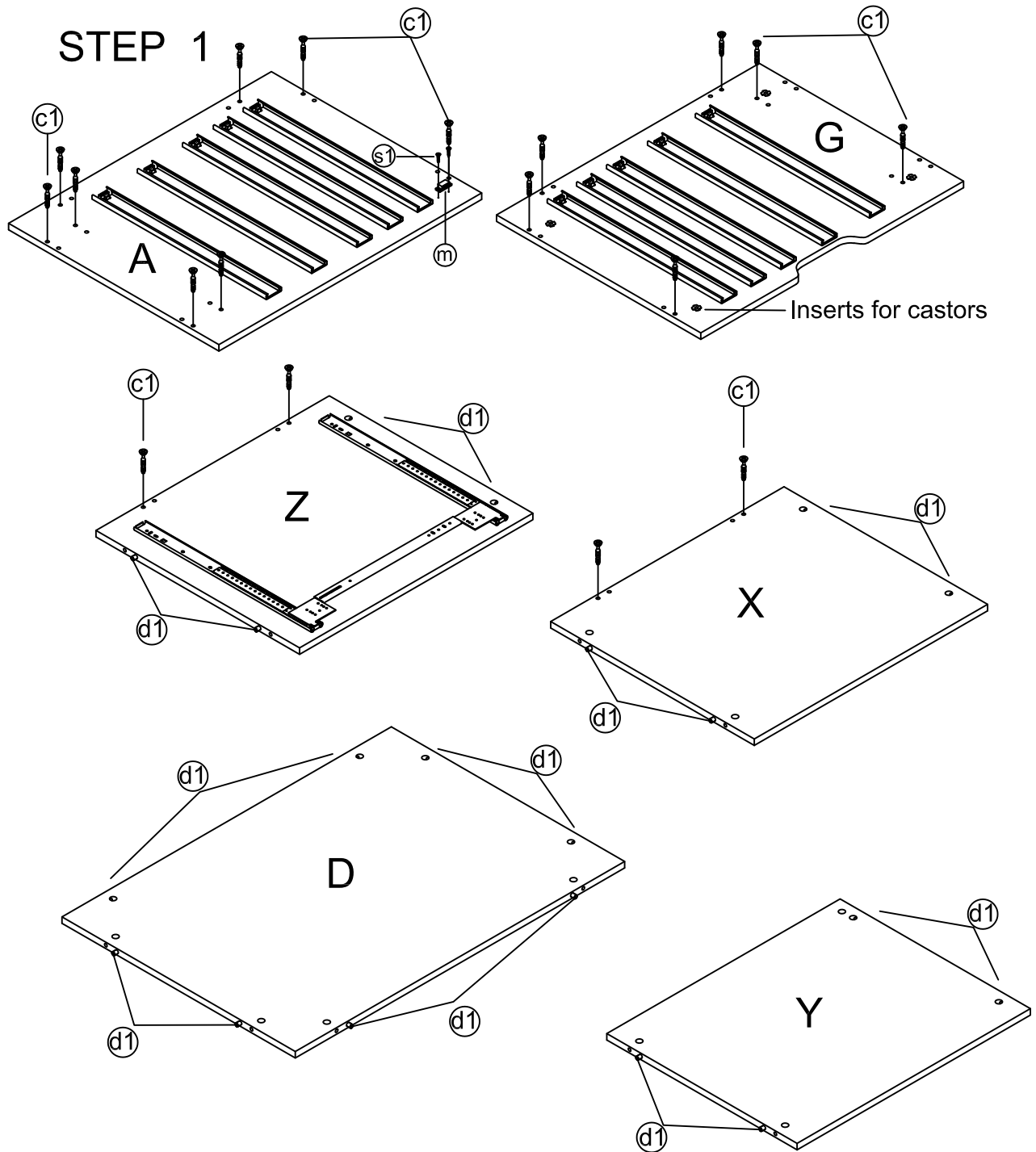
(s20) 6\*50 Fix Bolt-2



## Pre-installed parts



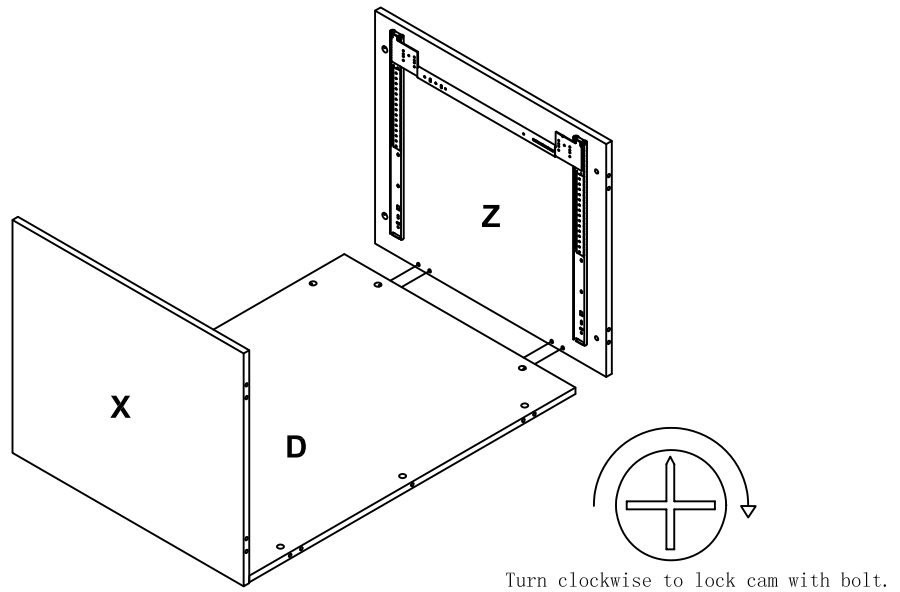
(c5) Cam



### Preparing panels A, G, D, X, Z and Y

1. Gather panels A,G,Z and X .Screw cam bolts (c1) into panels as shown .
2. Insert wood dowels into panels D, Y, X and Z and insert dowels (d1).
3. Attach door magnet(m) to Top panel A using screws (s1) as shown.

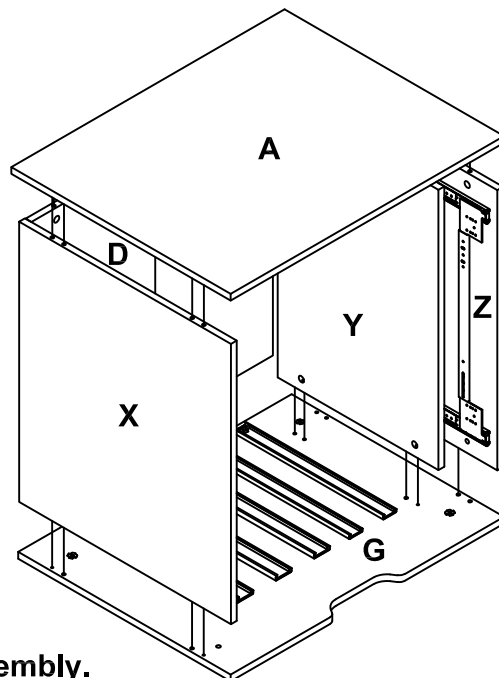
## STEP 2



### Panel D, X, and Z assembly.

1. Attach panel X and Z to panel D as shown. Tightening the cams in a clockwise direction as illustrated above.

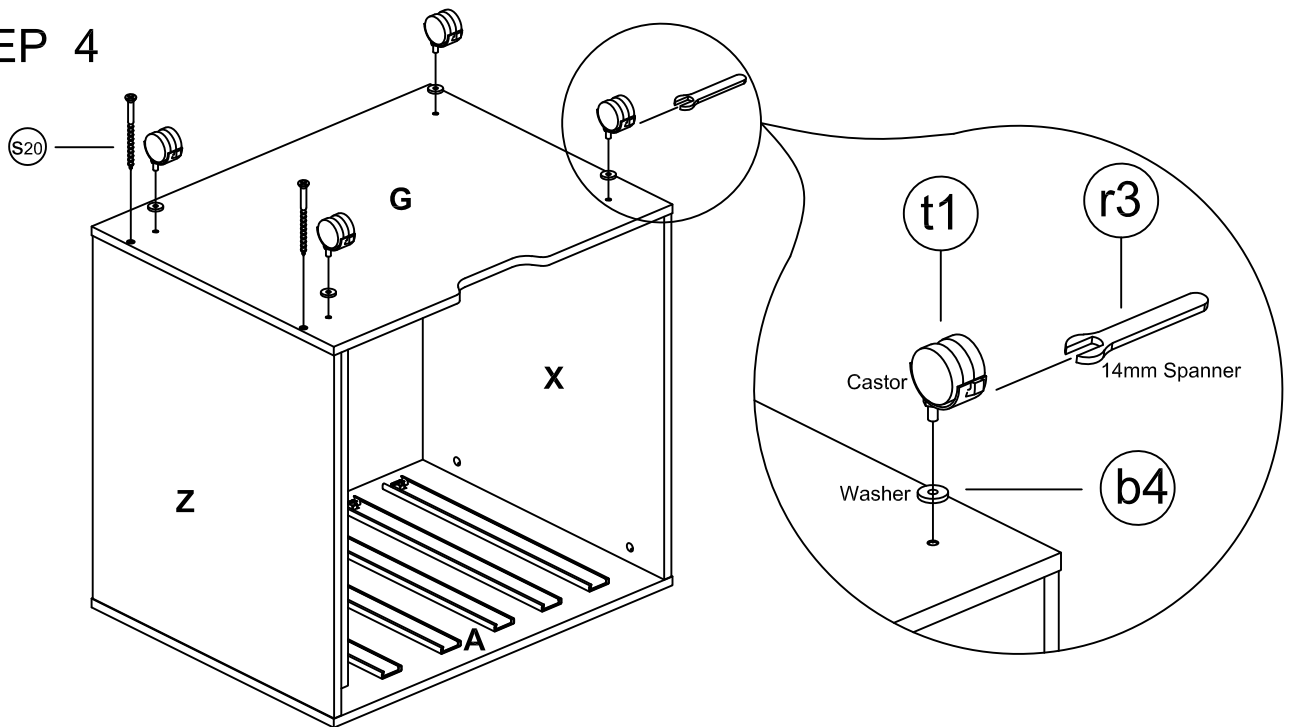
## STEP 3



### Panel A, Y and G assembly.

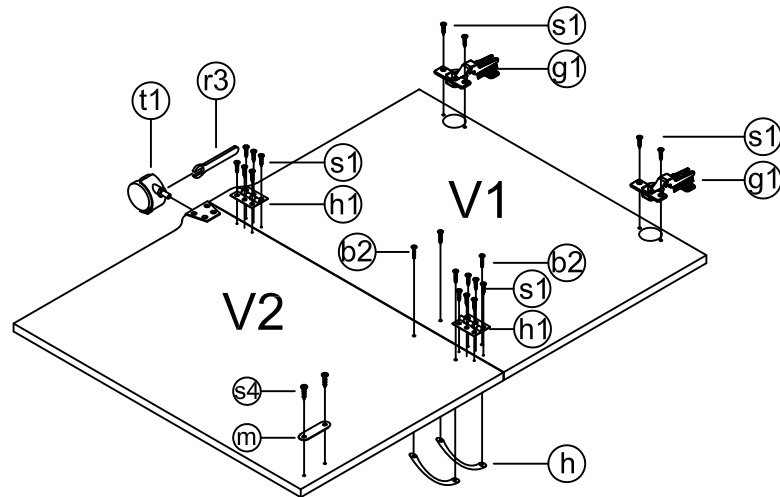
1. Attach panel G to cabinet as shown. Secure panel by turning cams in clockwise direction.
2. Gather panel Y and attach to bottom panel G. Tighten cams on panel Y.
3. Attach panel A to cabinet shown. Secure panel by turning cams in clockwise direction.

## STEP 4



1. Using 2 people turn over the cabinet on its top.
2. Insert screws (S<sub>20</sub>) on right side of panels G to secure G and Z as shown above.
3. Guide castor (t<sub>1</sub>) and washers (b<sub>4</sub>) and screw into holes using wrench (r<sub>3</sub>) to tighten. Rotate cabinet back upright using two people.

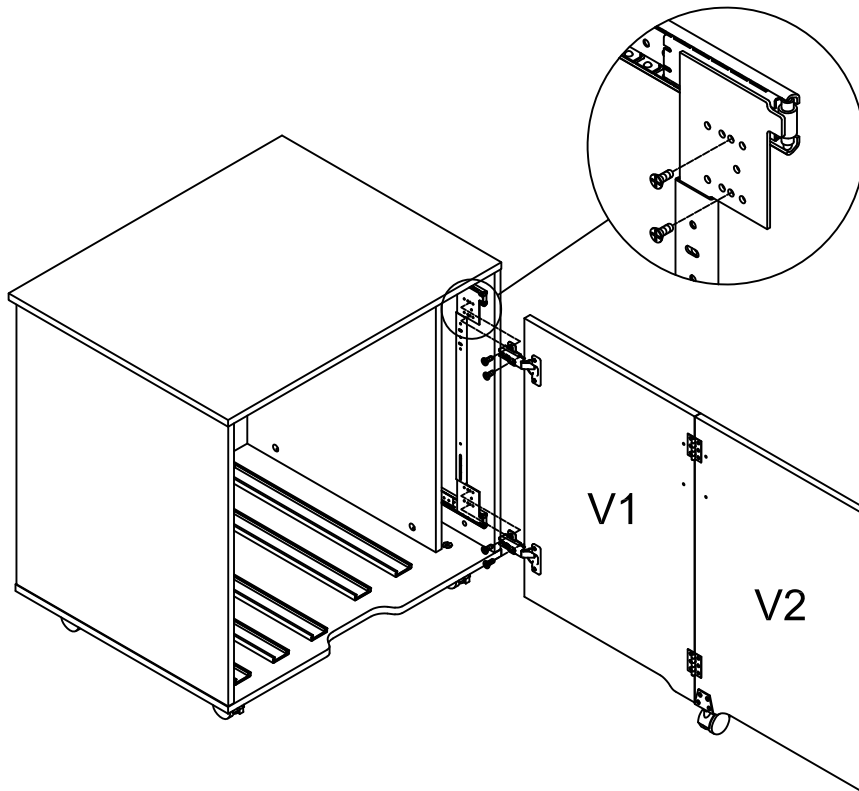
## STEP 5



### Panel V1 and V2 assembly.

1. Fix hinges (h<sub>1</sub>) with screws (s<sub>1</sub>) into panels V1 and V2 as illustrated above.
2. Fix hinges (g<sub>1</sub>) with screw (s<sub>1</sub>) into panel V1 as illustrated above.
3. Attach door magnet plate (m) to V2 top corner using screws (s<sub>4</sub>).
4. Fix handles (h) to panel V1 and V2 with screws (b<sub>2</sub>) as shown.
5. Screw on castor (t<sub>1</sub>) as shown above.

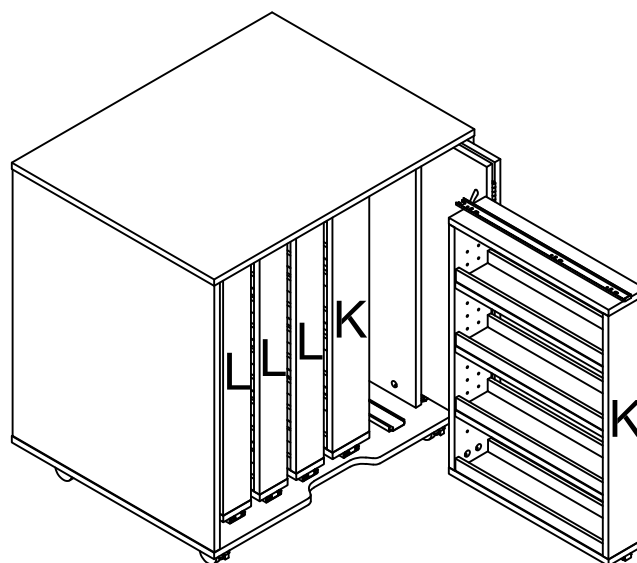
## STEP 6



### Door panel V1,V2 assembly.

1. Attach door assembly V1 and V2 to cabinet with screws (s7) to panel Z runners as illustrated above.

## STEP 7



1. Place pre-assembled thread racks inside cabinet.



You have now successfully completed the assembly on item:

**ITEM No.:2051**

