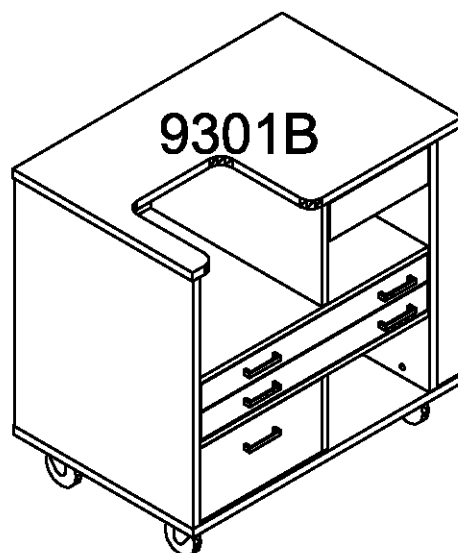
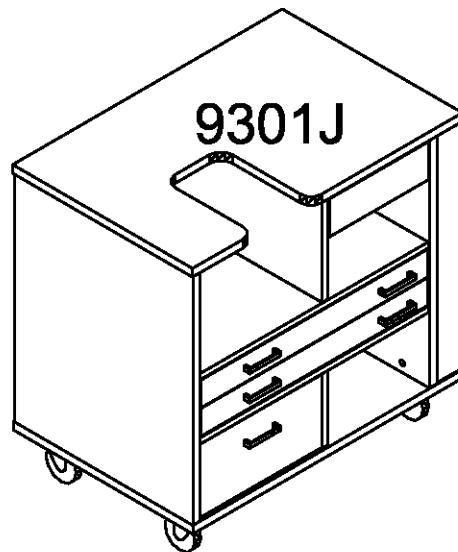


ASSEMBLY INSTRUCTION
AVA EMBROIDERY SEWING CABINET
ITEM NO. :9301J/9301B



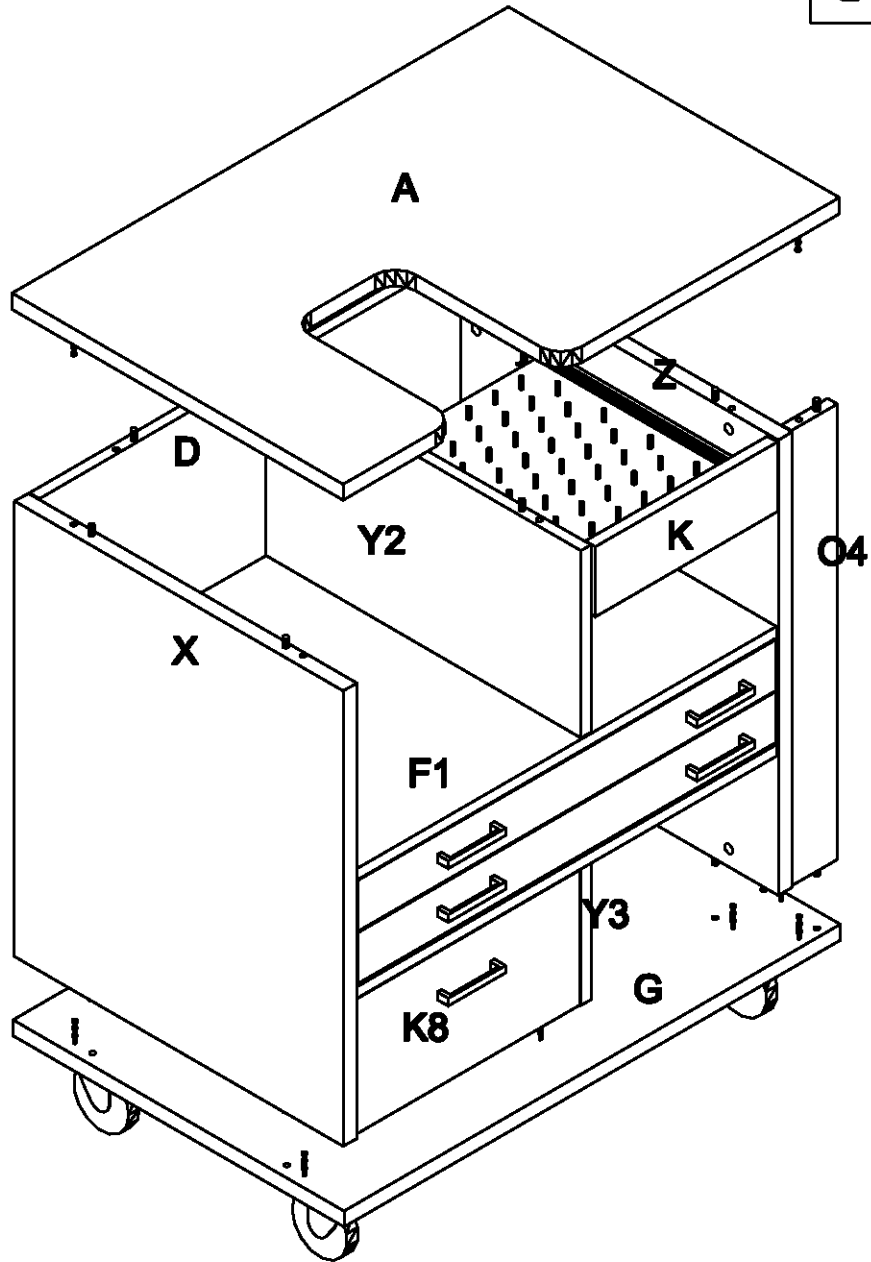
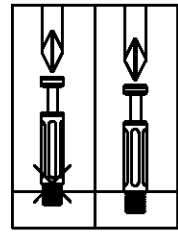


The turning direction of attaching



The arrow direction=front

Incorrect Correct



PARTS LIST

ITEM	DESCRIPTION	QTY.
A	Top panel	1
X	Left side panel with 3 runners	1
Z	Right side panel with 3 runners	1
G	Bottom panel	1
F1	Immovable shelf	1
F2	Immovable shelf	1
D	Back panel	1
Y2	Vertical panel with 1 runner	1
Y3	Vertical panel with 1 runner	1
O1	Panels	3
O2	Panels	3
O3	Panel	1
O4	Panel	1
K	Top drawer front panel	1
K1	Top drawer bottom panel with 2 runners	1
K7	Middle drawer front panels	2
K2	Middle drawer inside front panels	2
K3	Middle drawer back panels	2
K4	Middle drawer left side panels	2
K5	Middle drawer right side panels	2
K6	Middle drawer bottom panels	2
K8	Bottom drawer front panel	1
K9	Bottom drawer inside front panel	1
K10	Bottom drawer back panel	1
K11	Bottom drawer left side panel with runner	1
K12	Bottom drawer right side panel with runner	1
K13	Bottom drawer bottom panel	1
	EVA	2

PARTS LIST

ITEM	DESCRIPTION	QTY.
(c1)	6*35Cam bolt	63
(d1)	8*30 Dowel pin	72
(e2)	(5/8") Cam cover	25
(f1)	Castor (125mmH)	4
(b1)	6*12 bolt	16
(a)	4mm spanner	1
(e1)	3.5*30 Screw	16
(e2)	3.5*35 Screw	24
(b2)	4*40 Bolts	10
(h)	Handles	5



(c1) 6*35Cam bolt-63



(d1) 8*30Dowel pin-72



(b2) 4*40 Fix Bolt-10



(e2) cam cover-25



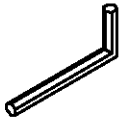
(b1) 6*12 Fix Bolt-16



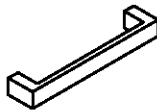
(e1) 3.5*30 Screw-16



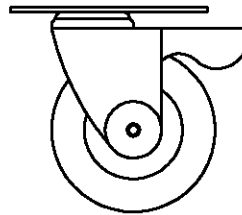
(e2) 3.5*35 Screw-24



(a) spanner-1

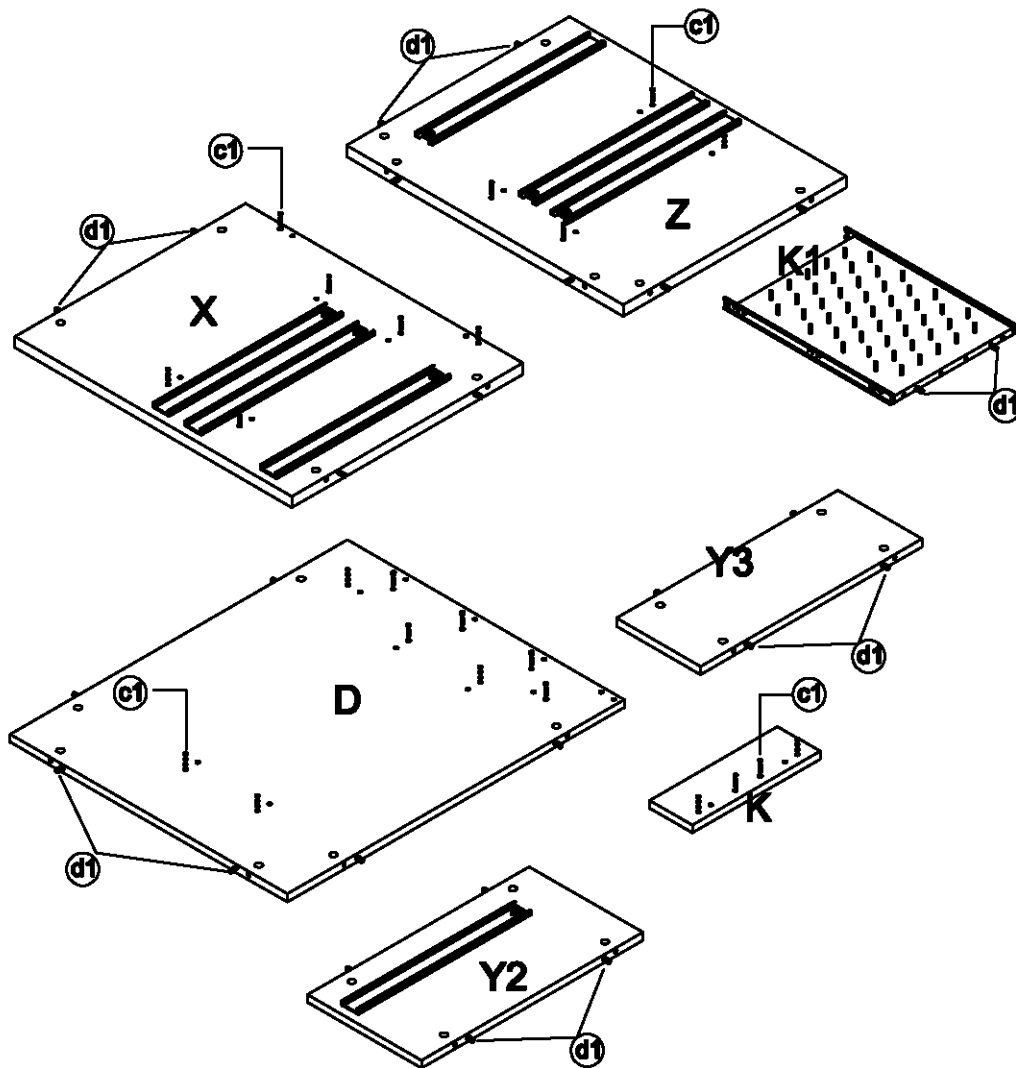


(h) Handle-5



(f1) 125H Castor-4

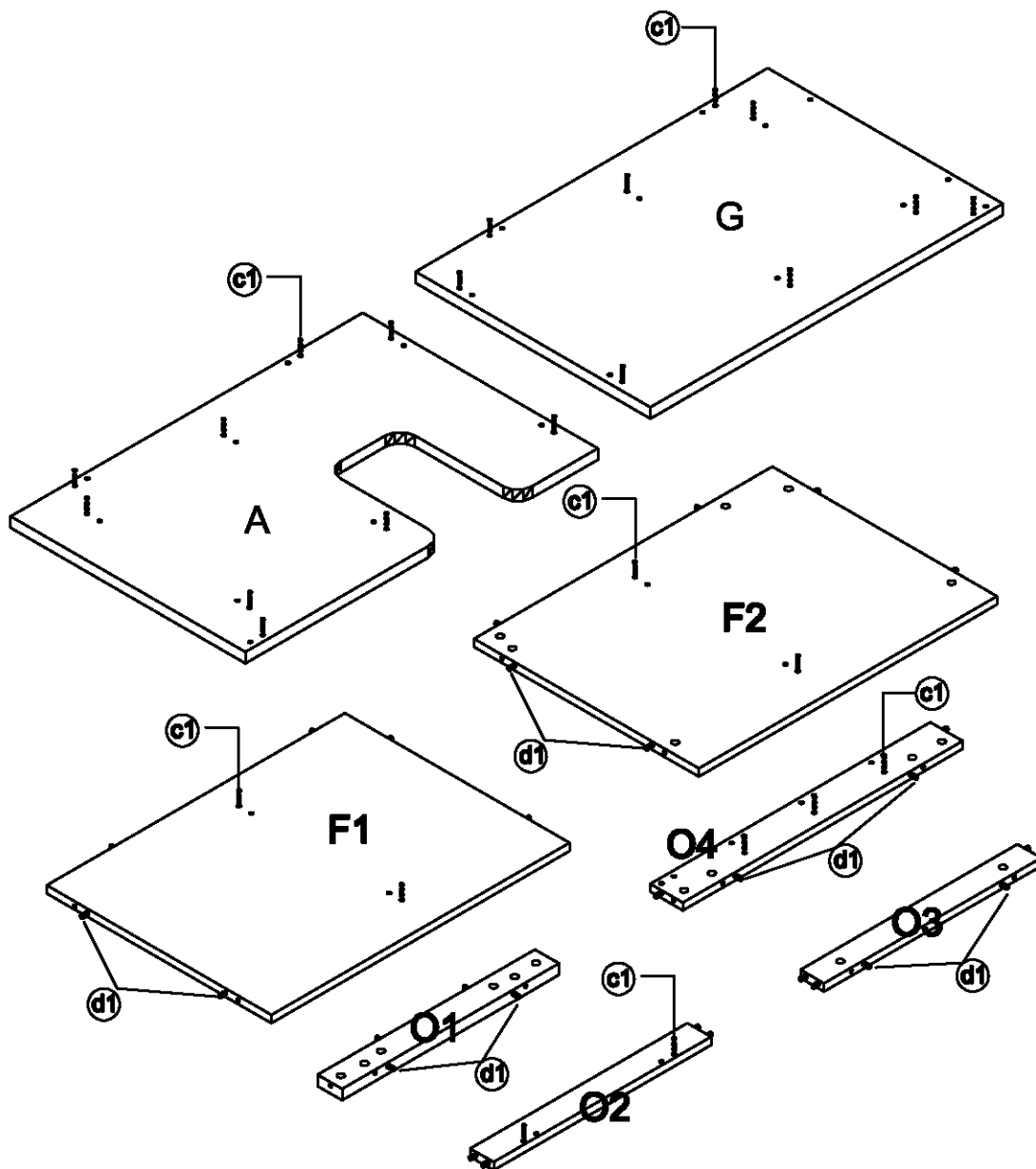
STEP 1



Preparation for side panels X, Z, back panel D, panels Y2, Y3, K and K1 .

1. Insert cam bolts (c1) into panels K, D, X and Z as illustrated above.
2. Insert dowel pins (d1) into panels D, Y2, Y3, K1, X and Z as illustrated above.

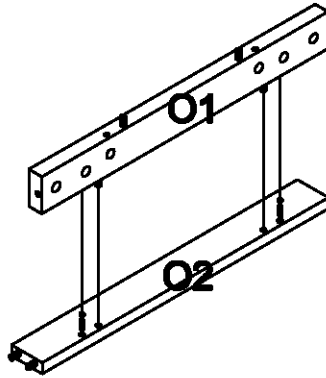
STEP 2



Preparation for top panel A, bottom panel G, immovable shelf F1, F2 and panels O1, O2, O3, O4 .

1. Insert cam bolts (c1) into panels A, G, O2, O4, F1 and F2 as illustrated above.
2. Insert dowel pins (d1) into panels F1, F2, O1, O2, O3 and O4 as illustrated above.

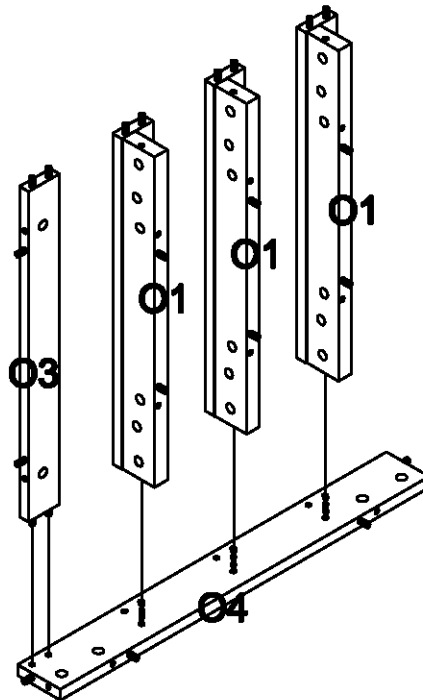
STEP 3



Panels O1,O2, assembly.

1. Insert cam bolts (c) on panel O2 into cams on panel O1 and tighten in a clockwise direction as illustrated above.

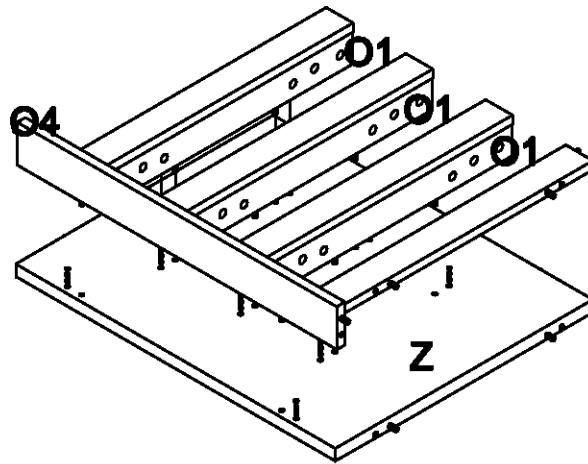
STEP 4



Panels O4 and O1,O3 assembly.

1. Insert cam bolts (c) on panel O4 into cams on panels O1,O3 and tighten in a clockwise direction as illustrated above.

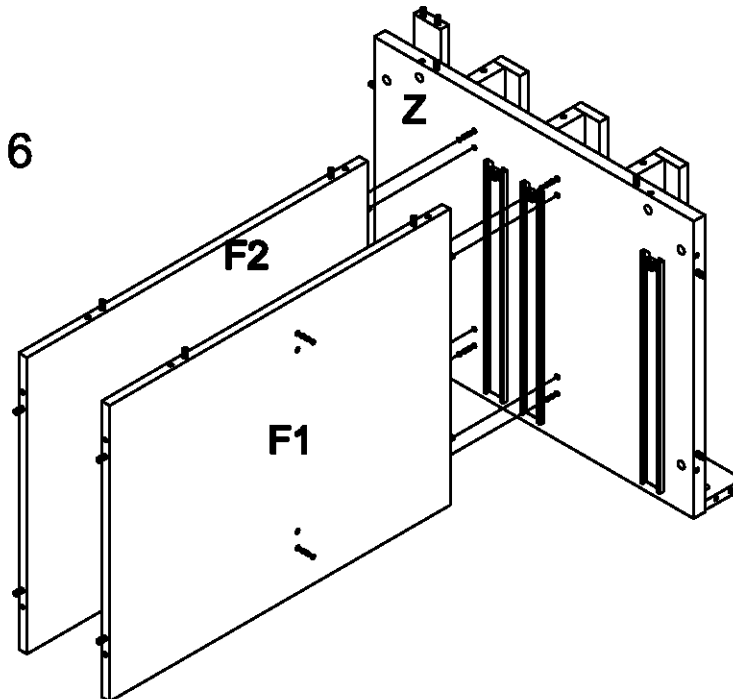
STEP 5



Panel Z assembly.

1. Insert cam bolts (C) on panel Z into cams on panels O4,O1 and tighten in a clockwise direction as illustrated above.

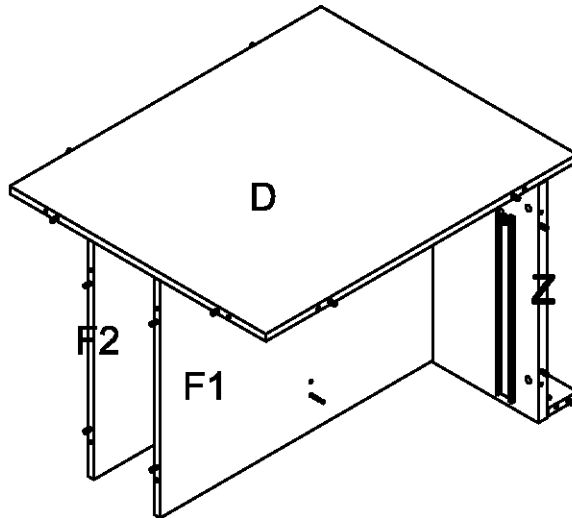
STEP 6



Panels F1,F2 assembly.

1. Insert cam bolts (C) on panel Z into cams on panels F1,F2 and tighten in a clockwise direction as illustrated above.

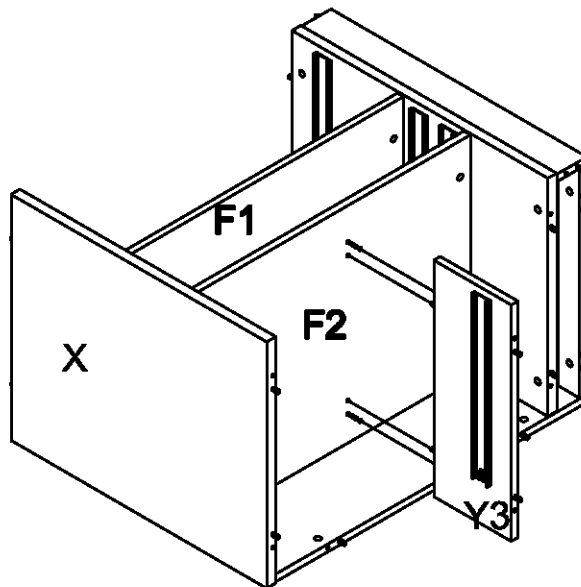
STEP 7



Panel D assembly.

1. Insert cam bolts (C1) on panel D into cams on panels F1,F2,Z and tighten in a clockwise direction as illustrated above.

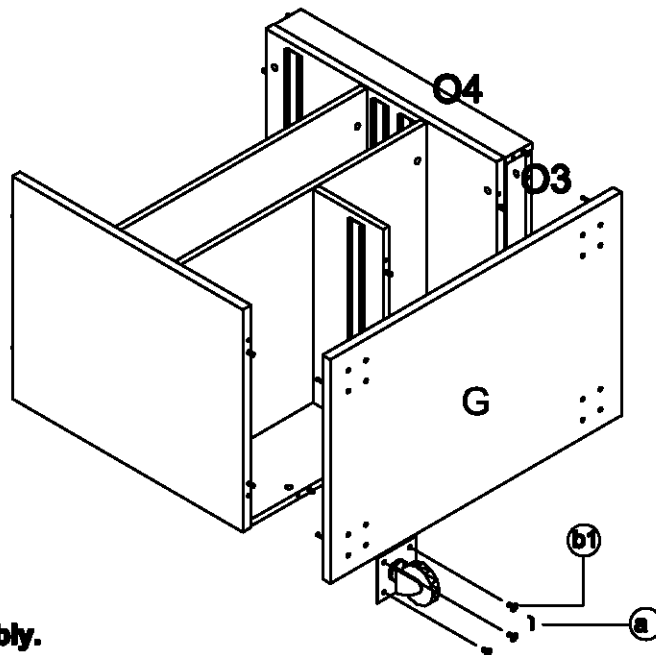
STEP 8



Panels X and Y3 assembly.

1. Insert cam bolts (C1) on panel X into cams on panels F1,F2,D and tighten in a clockwise direction as illustrated above.
2. Insert cam bolts (C1) on panel F2 into cams on panel Y3 and tighten in a clockwise direction as illustrated above.

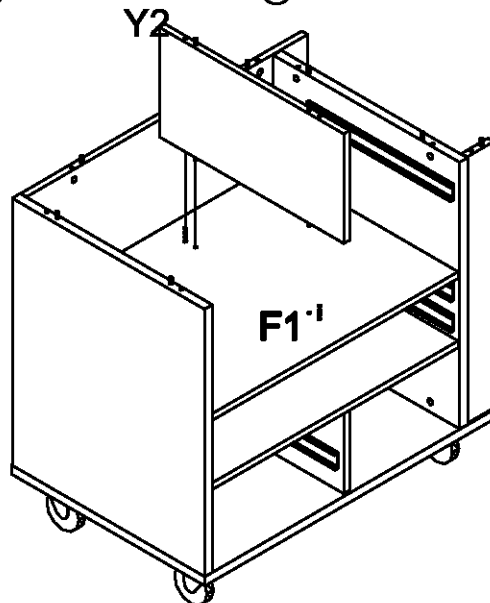
STEP 9



Panel G assembly.

1. Insert cam bolts (a) on panel G into cams on panels X,Z,Y3,O3,O4 and tighten in a clockwise direction as illustrated above.
2. Fix castors to panel G with screws (b1) as illustrated above.

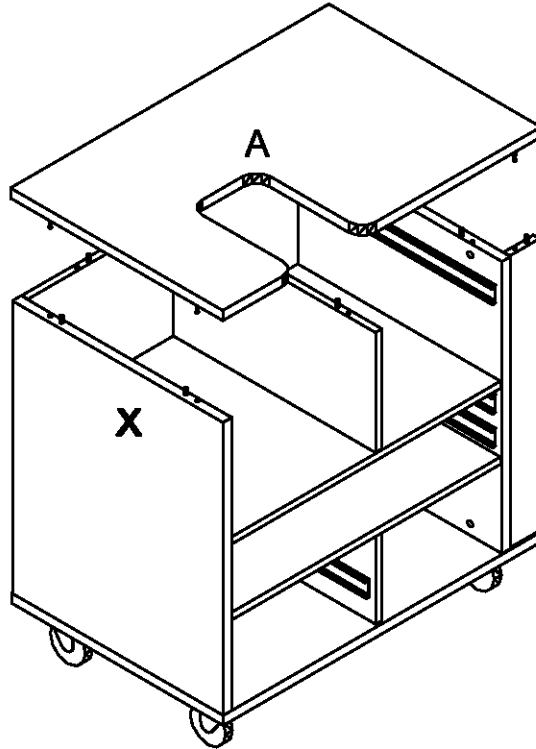
STEP 10



Panels Y2 assembly.

1. Insert cam bolts (a) on panel F1 into cams on panel Y2 and tighten in a clockwise direction as illustrated above.

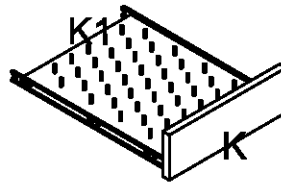
STEP 11



Panel A assembly.

1. Insert cam bolts (C1) on panel A into cams on panels X,Z,D,Y2,O4 and tighten in a clockwise direction as illustrated above.

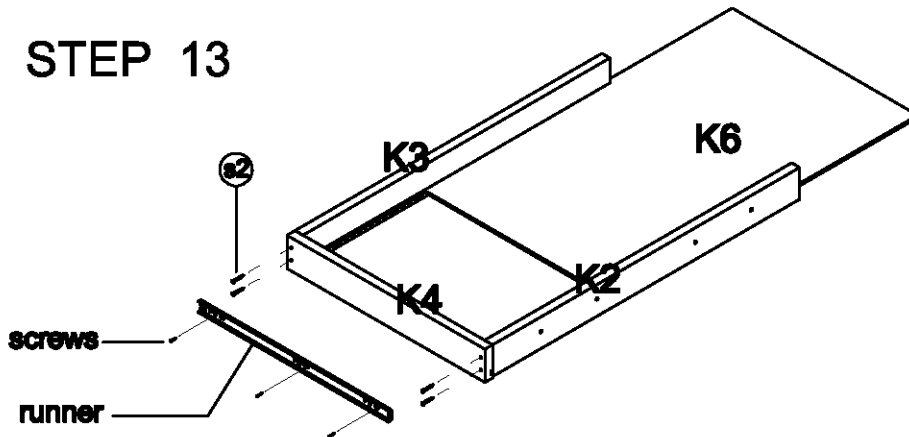
STEP 12



Panels K,K1 assembly.

1. Insert cam bolts (C1) on panel K into cams on panel K1 and tighten in a clockwise direction as illustrated above.

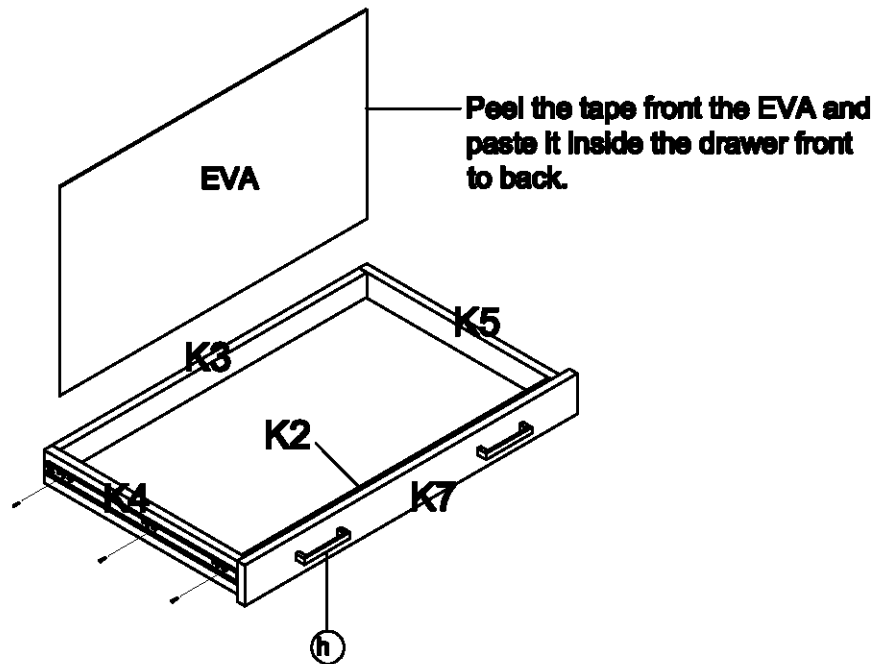
STEP 13



Middle drawers assembly.

1. Remove the runner pre-assembled on panel K4, so you can see the screw holes on panel K4, then fix the panel K4 with K2, K3 by (a2) as illustrated above.
2. Assemble the runner back on panel K4 with screw as illustrated above.

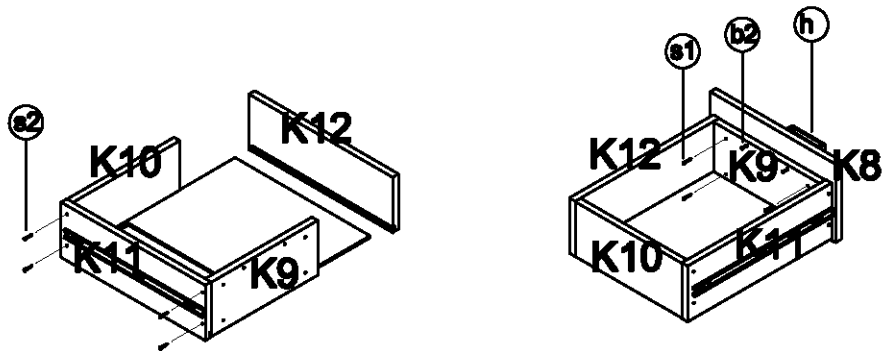
STEP 14



Middle drawers assembly.

1. Remove the runner pre-assembled on panel K5, so you can see the screw holes on panel K5, then fix the panel K5 with K2, K3 by (a2) as illustrated above.
2. Assemble the runner back on panel K5 with screw as illustrated above.
3. Connecting drawer panels K2 and K7 with (h) (a2) as illustrated above.
4. Fix the EVA to bottom K6 of the middle drawers as illustrated above.
5. Fix other drawers as illustrated above.

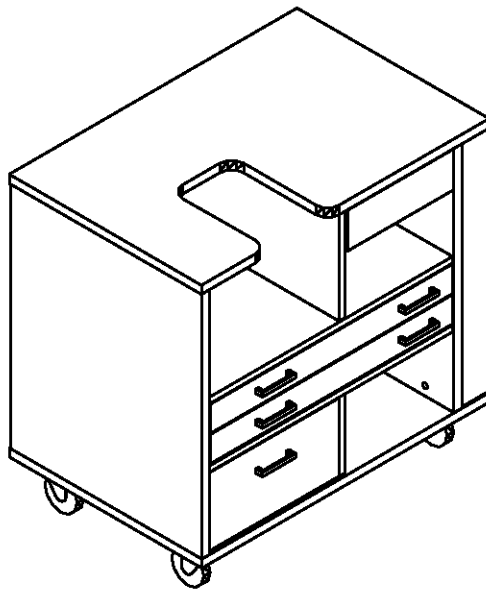
STEP 15



Bottom drawer assembly.

1. Connecting drawer panels K11 and K9,k10 with **s2** as illustrated above.
2. Connecting drawer panels K12 and K9,k10 with **s2** as illustrated above.
3. Connecting drawer panels K8 and k9 with **h** **b2** as illustrated above.
4. Connecting drawer panels K8 and K9 with **s1** as illustrated above.

STEP 16



Fix all drawers to cabinet assembly.

1. Connecting drawer front panel and inside drawer front panel with **s1** as illustrated above.

You have now successfully completed the assembly on item:

AVA EMBROIDERY SEWING CABINET
ITEM NO. :9301J/9301B

