

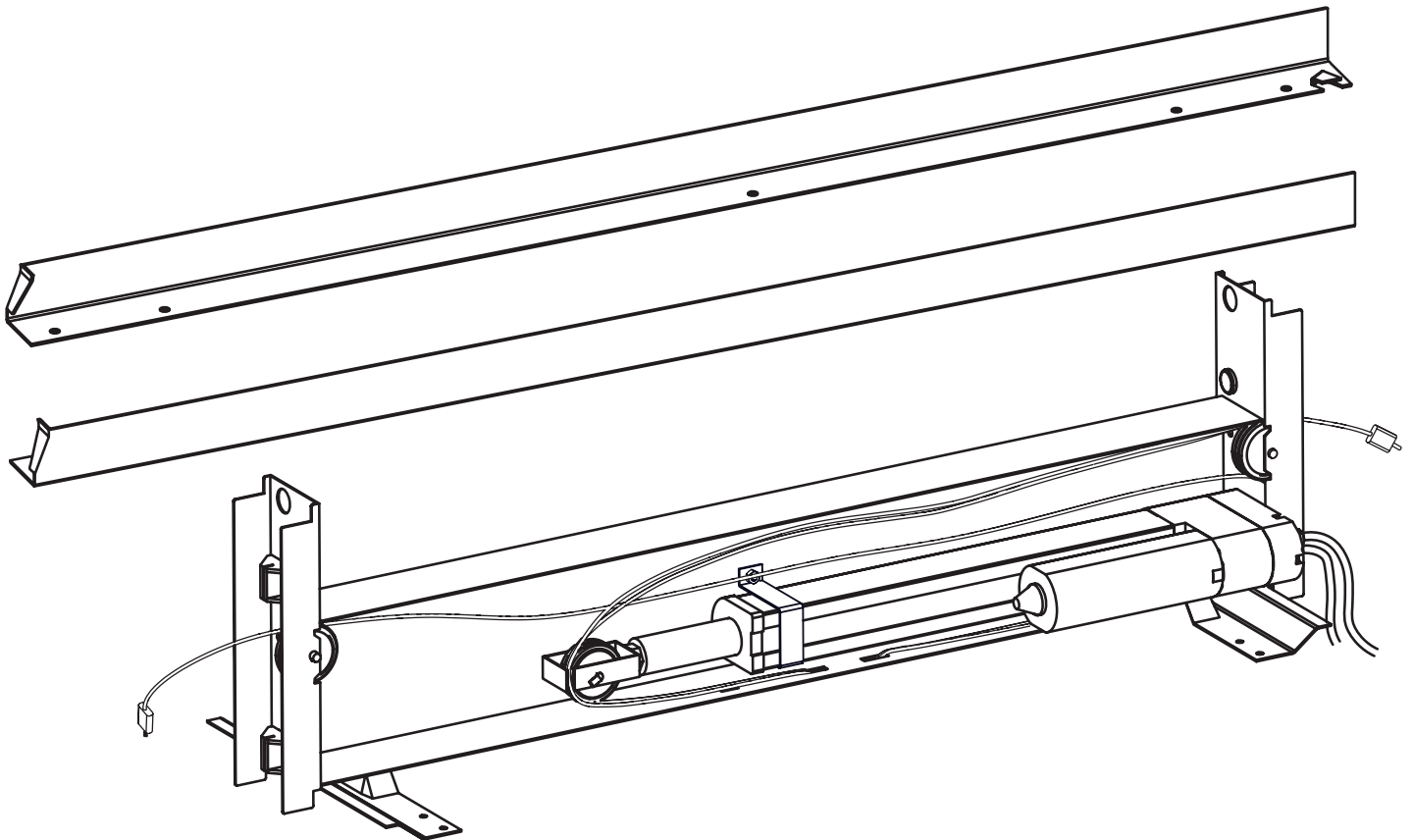
# ARROW<sup>®</sup>

SEWING

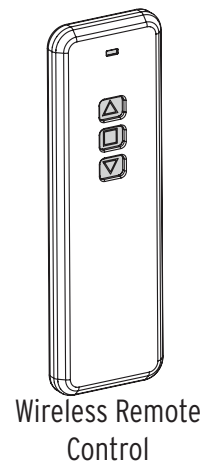
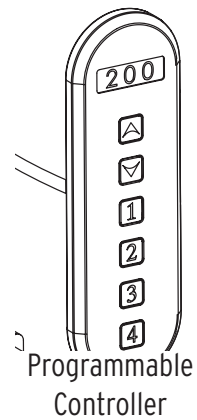
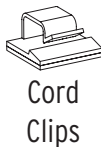
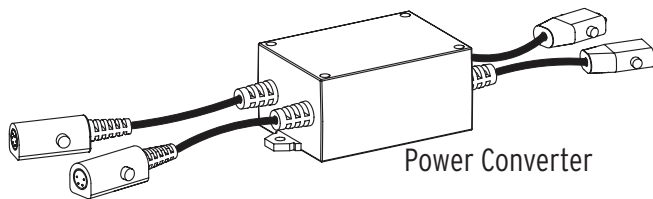
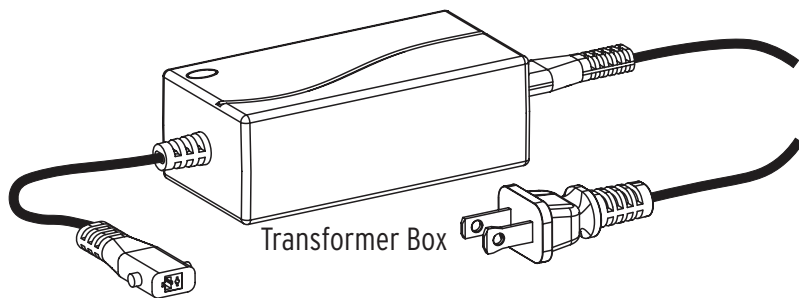
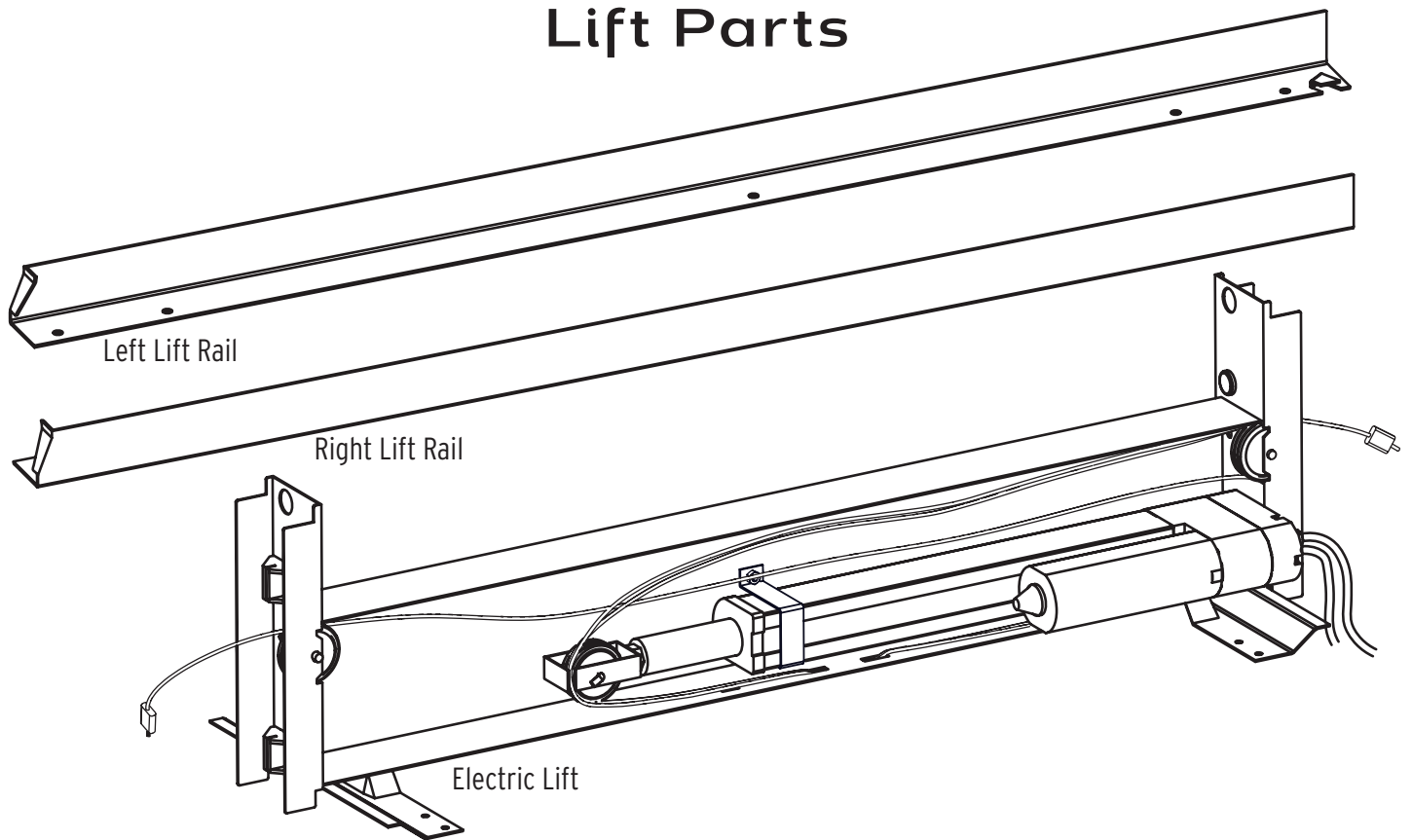


## INSTRUCTION MANUAL

# Electric Lift



# Lift Parts



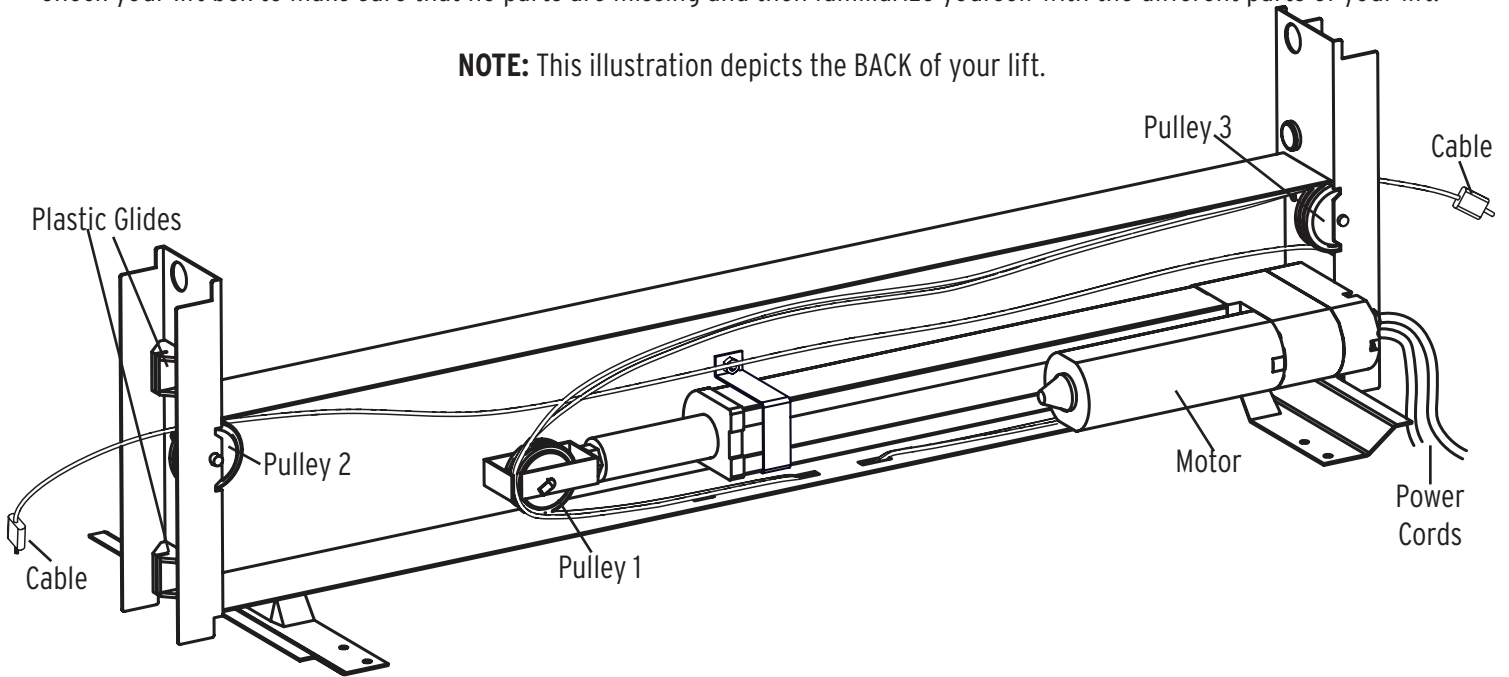
**NOTE:** Lift, Power Converter, Transformer Box and Programmable Controller arrive fully hooked up. You will need to disconnect all cords in order to install, and then re-engage cord connections once lift installation is complete.

You may disconnect the cords now, or just before attaching the lift to the platform on Page 3 of this guide.

# Preparation

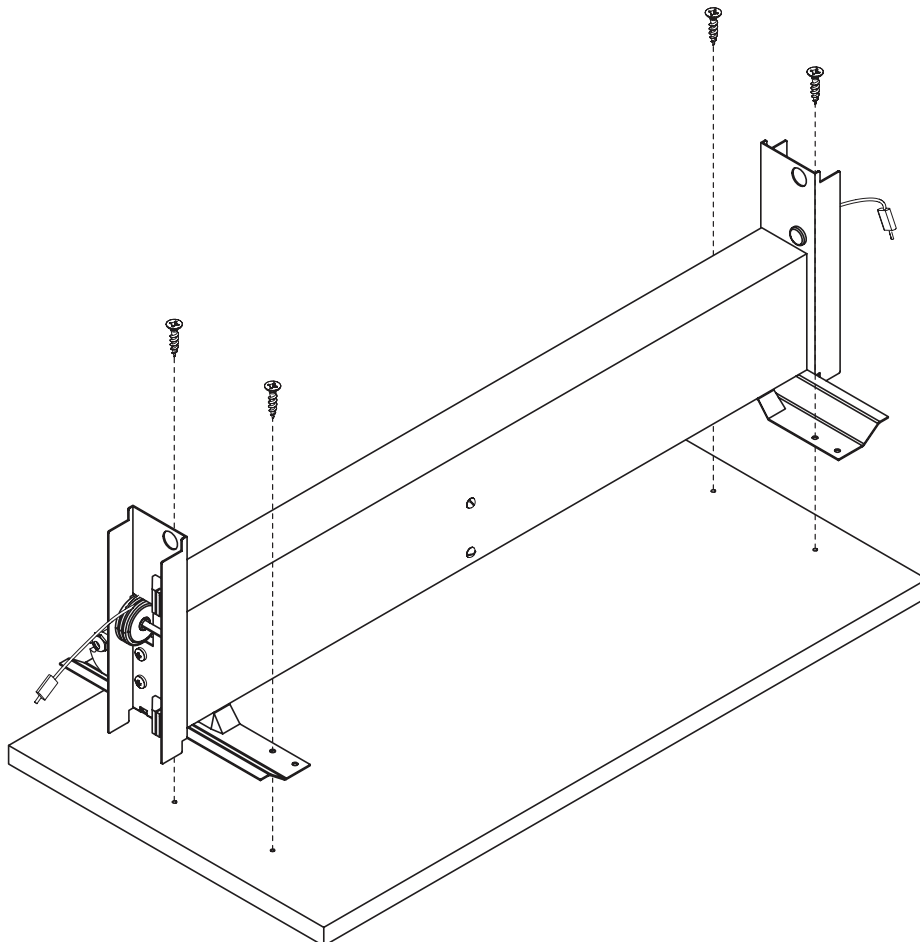
Check your lift box to make sure that no parts are missing and then familiarize yourself with the different parts of your lift:

**NOTE:** This illustration depicts the BACK of your lift.



# Installation

See the Assembly Manual for your cabinet for detailed instructions on attaching your **Lift Rails** to your cabinet. If you have misplaced your Assembly Manual, you can find a replacement at [arrowsewing.com](http://arrowsewing.com), email Arrow Sewing Customer Service at [cs@arrowsewing.com](mailto:cs@arrowsewing.com), or you can call 1-800-533-7347, ext. 1, during normal business hours.



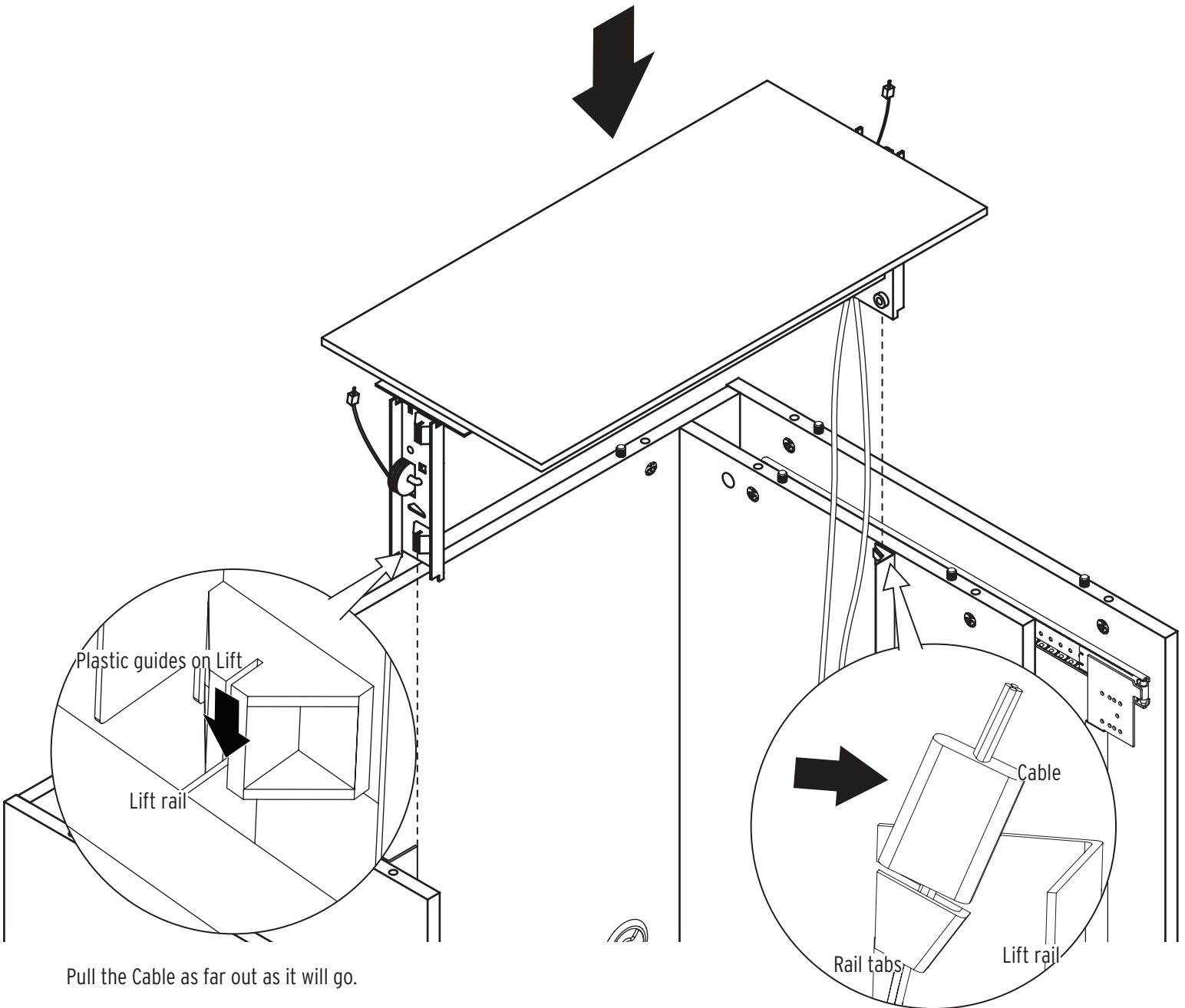
Attach the electric lift to the underside of your cabinet's lift platform with the provided screws. See cabinet Assembly Manual for part numbers.

**NOTE:** If your lift platform has a notch cutout, the BACK of the lift should be facing that notch.

Scan this QR Code for Video Assembly Help!



# Installation



Pull the Cable as far out as it will go.

Guide **Lift** onto **Lift Rails** using plastic guides. Insert ends of cable into rail tabs; make sure the cable is hooked into the rail tabs on both sides.

**Do you have questions? Email us anytime at [cs@arrowsewing.com](mailto:cs@arrowsewing.com) or give Arrow Sewing Customer Service a call for assistance at 1-800-533-7347, ext. 1 during normal business hours.**

# Installation

Complete cabinet assembly per instructions in your cabinet's Assembly Manual.

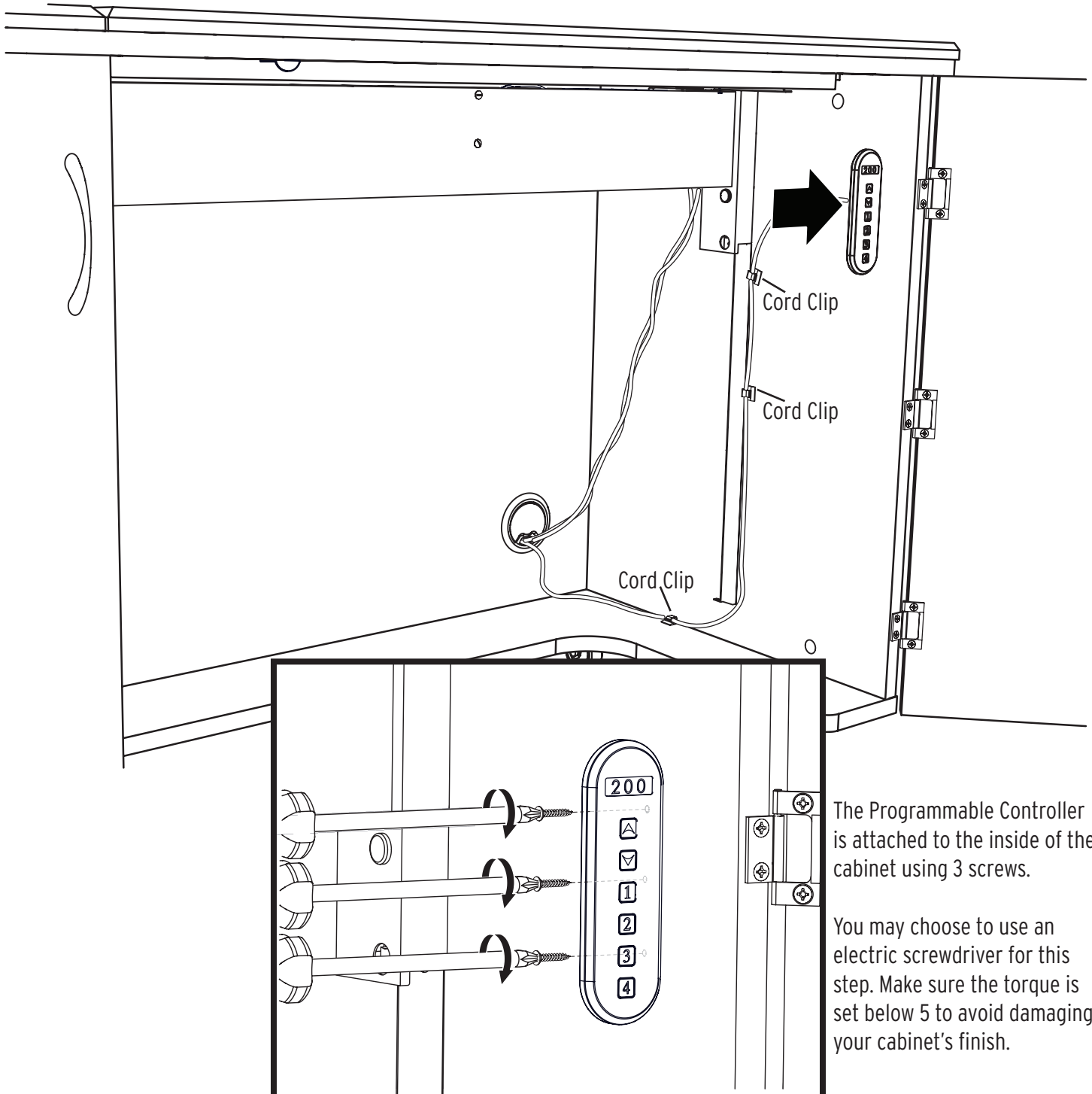
To control the cords coming from your electric lift, twist them together and feed them through the cord port in your cabinet's lower right back corner. **DO NOT USE Cord Clips** on the cords coming from the Electric Lift.

Attach the Programmable Controller with the screws provided. Scan this QR code for a printable template:



**OPTIONAL:** You may use Cord Clips on the wire coming from the Programmable Controller, as shown below.

**NOTE:** When securing cords with Cord Clips, be careful to keep cords from crossing over the lift rails.



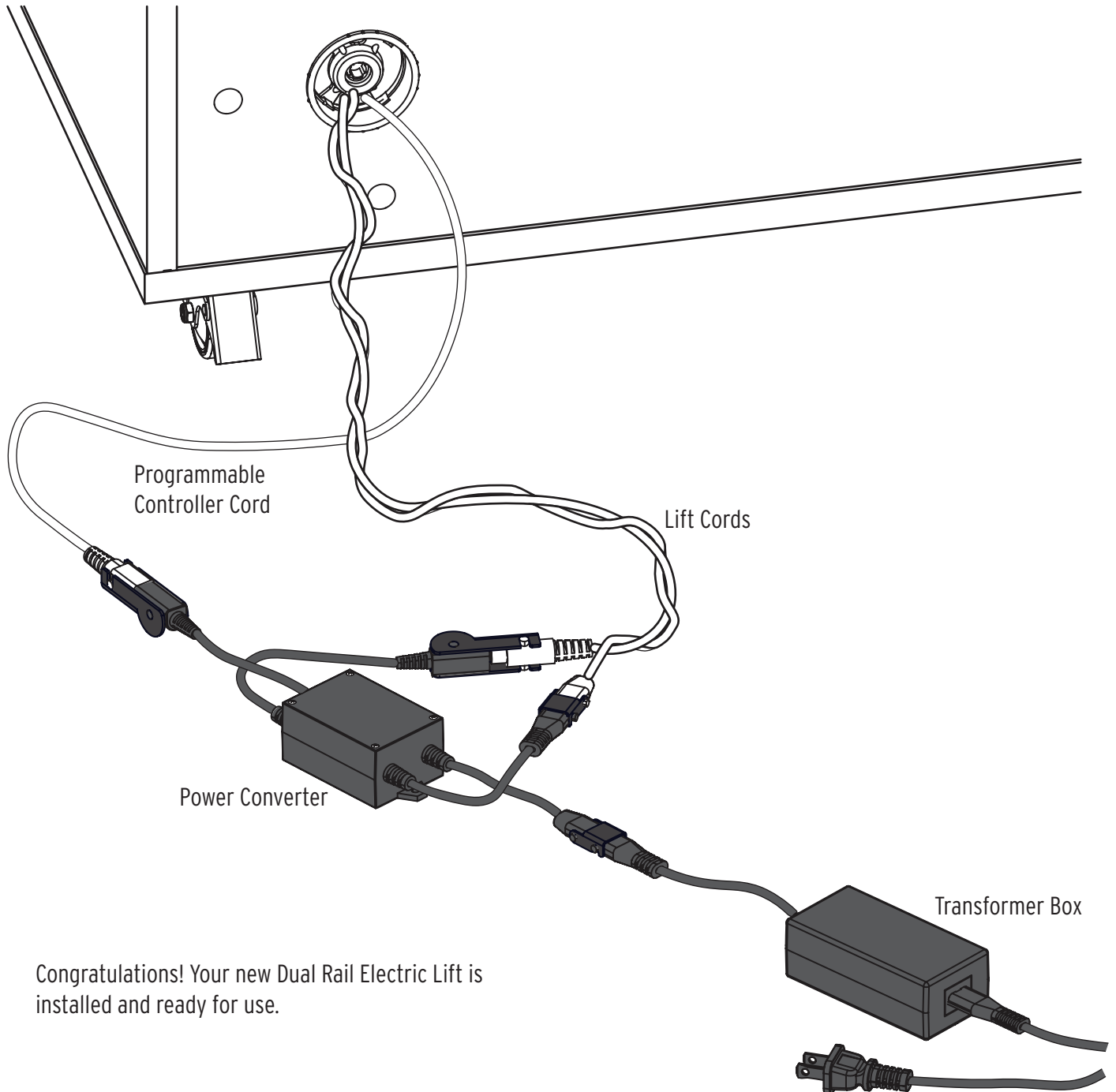
The Programmable Controller is attached to the inside of the cabinet using 3 screws.

You may choose to use an electric screwdriver for this step. Make sure the torque is set below 5 to avoid damaging your cabinet's finish.

# Installation

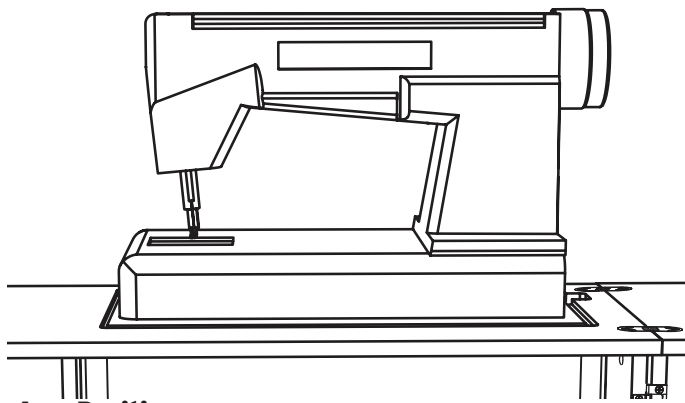
Carefully feed the twisted cords from the Electric Lift and the Programmable Controller through the Cord Port and plug them in to the Power Converter.

**NOTE:** Each cord and cord receptacle has a different pin pattern, making it easy to match the cords to the Power Converter.



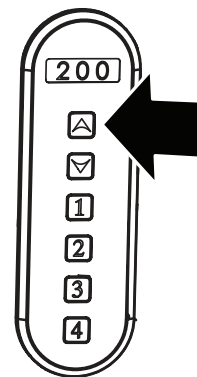
Congratulations! Your new Dual Rail Electric Lift is installed and ready for use.

# Positioning And Programming

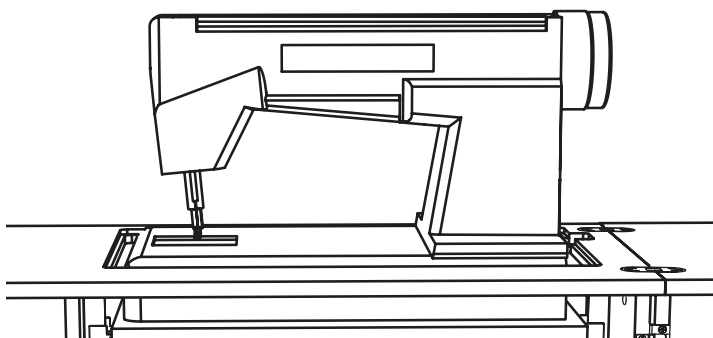


## Free Arm Position:

Also known as “tabletop sewing,” this is the favored sewing position to use for hems, cuffs, and other small, curved pieces.

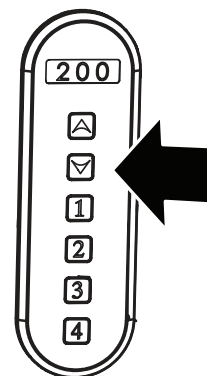


Press and hold the UP button on your controller to position your lift platform in the uppermost position. Press and hold the preset position of your choice until you hear a beep. Free Arm Position is now pre-set.

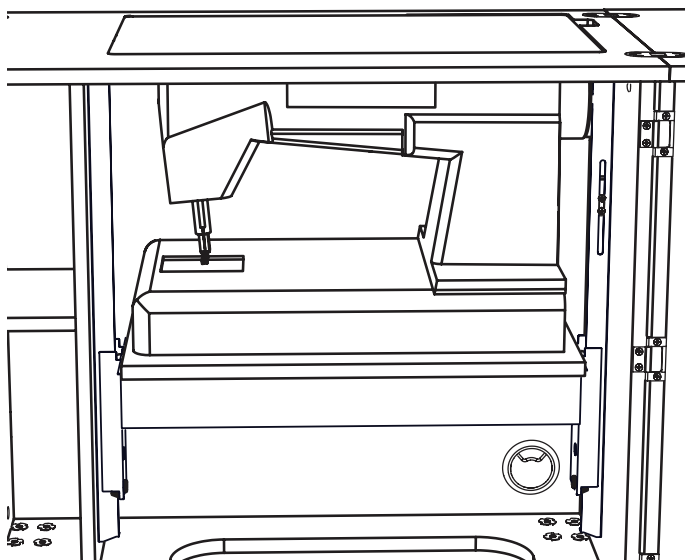


## Flatbed Position:

Flatbed Position is perfect for sewing larger, heavier projects and is the most comfortable way to sew. Add a custom acrylic insert for a custom fit to your specific machine and cabinet to experience a truly ergonomic sewing session.

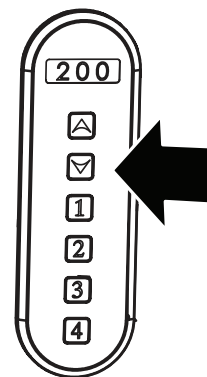


Press and hold the DOWN button on your controller until the throat plate on your machine is level with the tabletop. Press and hold the preset position of your choice until you hear a beep. Flat Bed Position is now pre-set.



## Storage Position:

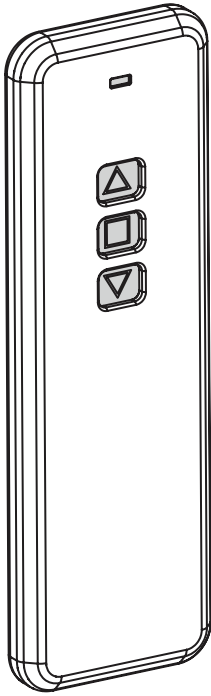
Your sewing machine is now safely stored in the belly of your sewing cabinet! If your cabinet includes a sewing well cover, you may place that over your sewing well and use your cabinet as a desk.



Press and hold the DOWN button on your controller until the platform is completely lowered. Press and hold the preset position of your choice until you hear a beep. Storage Position is now pre-set.

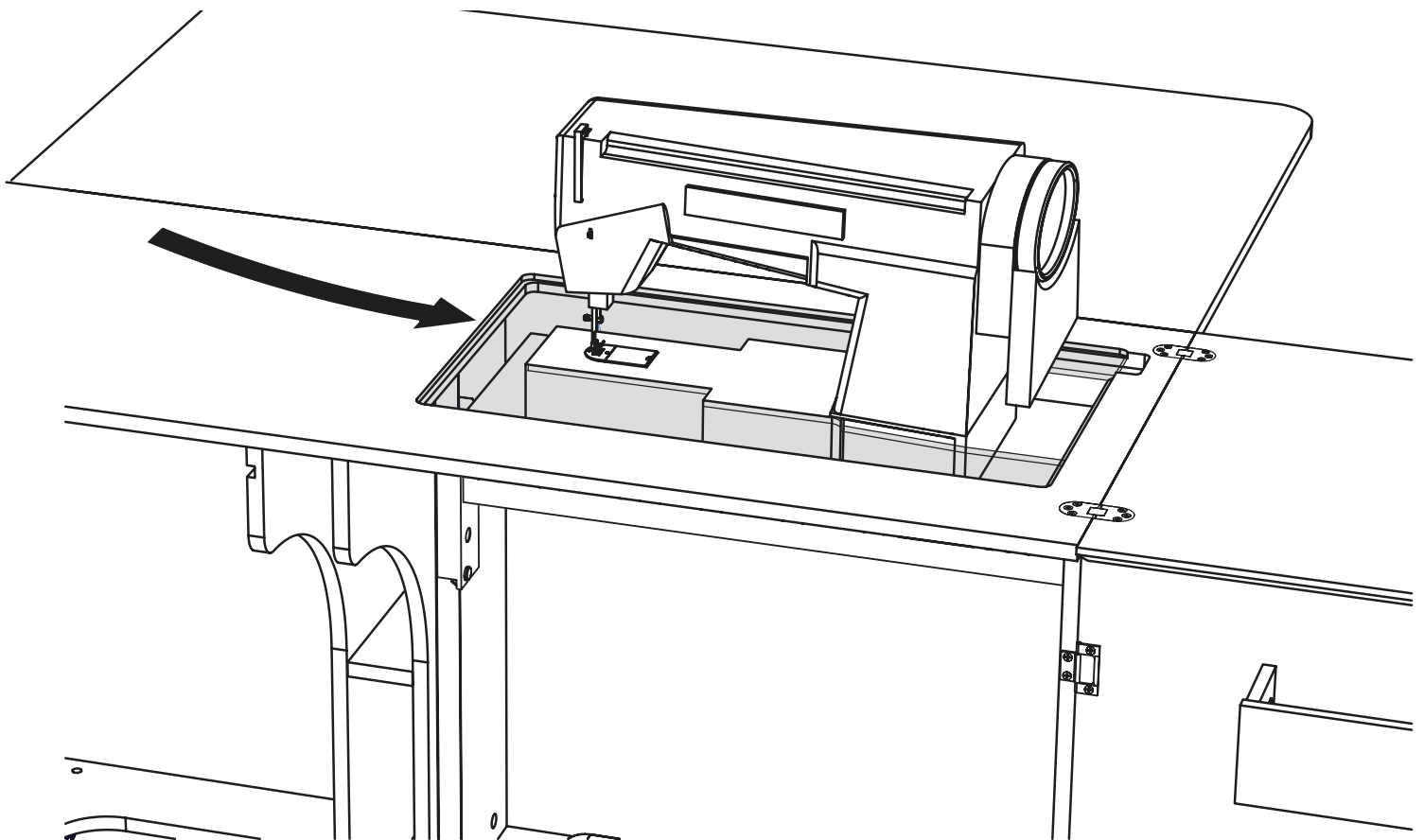
**NOTE:** Use your preset functions your own way! You can set Flatbed Position for multiple machines or preset positions for Storage or Free Arm positions. The choice is yours!

# Positioning and Programming



Use your Remote Control to move your machine up and down from across the room! Press the UP or DOWN button to move the lift, and the center STOP button to stop.

Using the control pad or the remote control, move the lift back into the flatbed position. Check to make sure that your machine is now sitting at the right height for comfortable, ergonomic flatbed sewing and adjust as necessary.



Place your Custom Acrylic Insert in the sewing well, fitting it around your machine. You now have a perfectly comfortable flat bed sewing cabinet! Say goodbye to hunched shoulders, tired wrists, and an aching back and hello to HAPPY SEWING!

To place an order for your own Custom Acrylic Insert, visit us online at [ArrowSewing.com](http://ArrowSewing.com), or contact Arrow Sewing Customer Service at 1-800-533-7347 ext 1 during normal business hours.





# LIMITED WARRANTY

## Arrow Sewing Furniture 5-Year Warranty

**WHAT THIS WARRANTY COVERS:** Arrow Companies, LLC (Arrow) provides limited warranty coverage to the original purchaser of this product against defects in materials or workmanship of Arrow lift components for a period of five years from the date of purchase. As used in this Warranty, "defect" means imperfections in components which substantially impair the utility of the product. This Warranty gives you specific legal rights, and you may also have other rights which vary from state to state.

**HOW TO GET SERVICE:** Simply contact Arrow at 1-800-533-7347 or CS@ArrowSewing.com. When you request warranty service, you must also present proof of purchase documentation, which includes the date of purchase (detailed receipt), and photos of the product. Arrow will replace any defective part (at its sole option), excluding labor. Replacement parts will be warranted for only the remaining period of the original Warranty.

Replacement parts will be shipped freight prepaid on any initial warranty claim during first year of Warranty only. Warranty applies only to defects confirmed by Arrow Companies, LLC and will be replaced or repaired at Arrow's option. In the event parts are no longer available for a warranty claim, customer may receive brand new lift at a price equal to 60% off the MSRP of a current comparable model.

**WHAT'S NOT COVERED:** There is no Warranty coverage for defects or conditions that result from the following: Failure to follow product assembly instructions, information or warnings; misuse or abuse; intentional damage; fire, flood, alteration or modification of the product; use of the product in a manner inconsistent with its intended use; any condition resulting from incorrect or inadequate maintenance, cleaning, care or neglect; cuts or scratches; damage resulting from electrical surge or lightning; or use in commercial or education environments. Arrow Sewing Furniture is designed for residential use only.

ARROW SHALL HAVE NO LIABILITY for ANY INCIDENTAL OR CONSEQUENTIAL DAMAGES OF ANY KIND and all such damages are EXCLUDED FROM THIS WARRANTY, such as loss of use, disassembly, transportation, labor or damage to property on or near the product. Some states do not allow the exclusion or limitation of incidental or consequential damages, so the above limitation or exclusion may not apply to you. The Warranty cannot be transferred to subsequent owners or users of the product, and it shall be immediately void in the event the product is resold, transferred, leased or rented to any third party or person other than the original purchaser.

**ADDITIONAL LIMITATIONS:** THERE ARE NO OTHER WARRANTIES APPLICABLE TO THIS PRODUCT. Under the laws of certain states, there may be no implied warranties from Arrow and all implied warranties, INCLUDING ANY IMPLIED WARRANTY OF MERCHANTABILITY OR FITNESS FOR A PARTICULAR PURPOSE are disclaimed where allowed by law. TO THE EXTENT ANY IMPLIED WARRANTIES ARE APPLICABLE, ANY IMPLIED WARRANTIES, INCLUDING ANY IMPLIED WARRANTY OF MERCHANTABILITY OR FITNESS FOR A PARTICULAR PURPOSE, ARE LIMITED IN DURATION TO THE DURATION OF THIS EXPRESS WARRANTY or the minimum period allowed by law, whichever is shorter. Some states do not allow limitations on how long an implied Warranty lasts, so the above limitation may not apply to you. This limited warranty gives you specific legal rights. This limited warranty does not, in any way, affect the rights given to you by law.

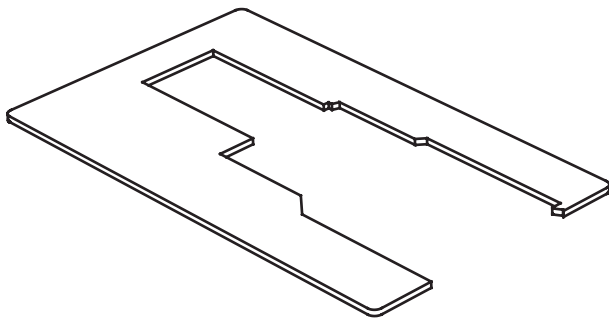
**REGISTER YOUR PRODUCT:** Original purchaser should register the purchase online at [www.ArrowSewing.com/warranty](http://www.ArrowSewing.com/warranty).

# COMPLETE YOUR SEWING STUDIO!

Elevate your sewing experience with Arrow's **Best-Selling** Accessories!

## Custom Sewing Inserts

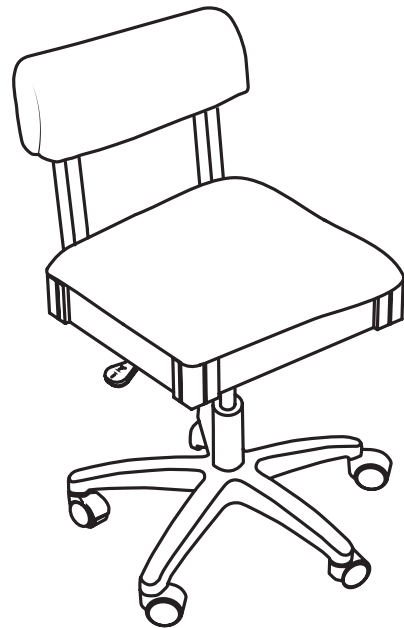
Enhance your sewing experience with a custom acrylic sewing insert! Custom acrylic sewing inserts are designed to fill the gap between your sewing machine and sewing cabinet's lift opening to create a flush, ergonomic surface for flat bed sewing. To ensure a perfect fit, custom acrylic sewing inserts are built specifically for your sewing machine and sewing cabinet combination. Say hello to happy wrists, straighter stitches, and an elevated sewing experience!



Custom Sewing Insert

## Sewing Chairs

Arrow's #1 Rated Height Adjustable Sewing Chair is a must have accessory for your dream sewing room! Cute, comfortable and convenient - our lovable sewing chairs feature vibrant sewing themed patterns, 360° swivel access and lumbar support for long hours at your workstation. Don't look now, but under every seat cushion is a hidden storage compartment to store your notions and patterns! Available in 10 colors to perfectly match your sewing sanctuary!



Height Adjustable Sewing Chair

Top of  
the cabinet

Front of the cabinet

## Electric Lift Installation Template

# AUSSIE

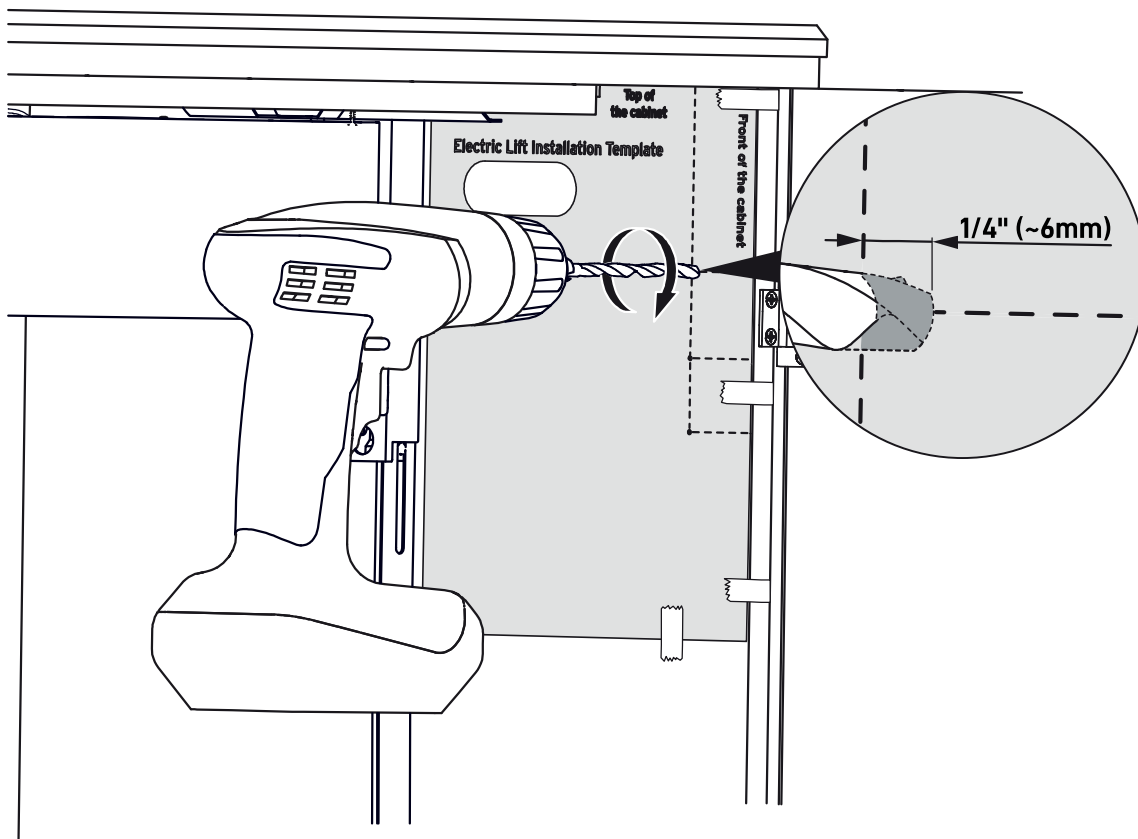
Make sure your printer output is set to Actual Size or 100%.  
Doublecheck your printed template against your controller.  
If all 3 of the holes do not line up with the 3 drilling markers,  
call Customer Service for assistance at 1-800-533-7347, ext. 1

Position the template inside the cabinet as shown.

The top edge of the template paper should touch the top panel of the cabinet, and the front edge of the template paper should be even with the front edge of the right-hand side panel.

Tape the template in place to prevent it from shifting as you drill.

**You will need a 1/16" Drill Bit.**



**Drill pilot holes NO DEEPER THAN 1/4" into the panel.**

**DO NOT DRILL ALL THE WAY THROUGH THE PANEL!**

Once your pilot holes are drilled, remove the template paper and use the provided screws (3) to mount the Vertical Programmable Controller.

## Electric Lift Installation Template

Top of  
the cabinet

# KANGAROO

Front of the cabinet

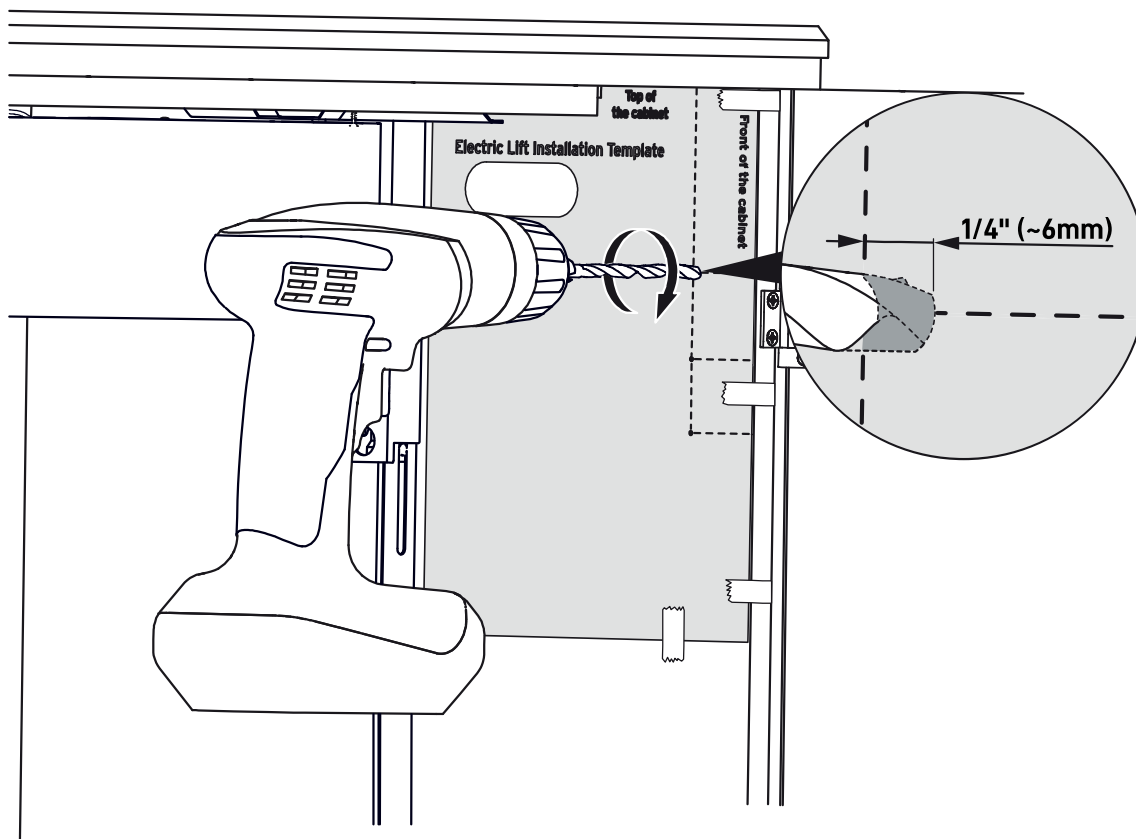
Make sure your printer output is set to Actual Size or 100%.  
Doublecheck your printed template against your controller.  
If all 3 of the holes do not line up with the 3 drilling markers,  
call Customer Service for assistance at 1-800-533-7347, ext. 1

Position the template inside the cabinet as shown.

The top edge of the template paper should touch the top panel of the cabinet, and the front edge of the template paper should be even with the front edge of the right-hand side panel.

Tape the template in place to prevent it from shifting as you drill.

**You will need a 1/16" Drill Bit.**



**Drill pilot holes NO DEEPER THAN 1/4" into the panel.**

**DO NOT DRILL ALL THE WAY THROUGH THE PANEL!**

Once your pilot holes are drilled, remove the template paper and use the provided screws (3) to mount the Vertical Programmable Controller.

## Electric Lift Installation Template

# WALLABY

Top of  
the cabinet

Front of the cabinet

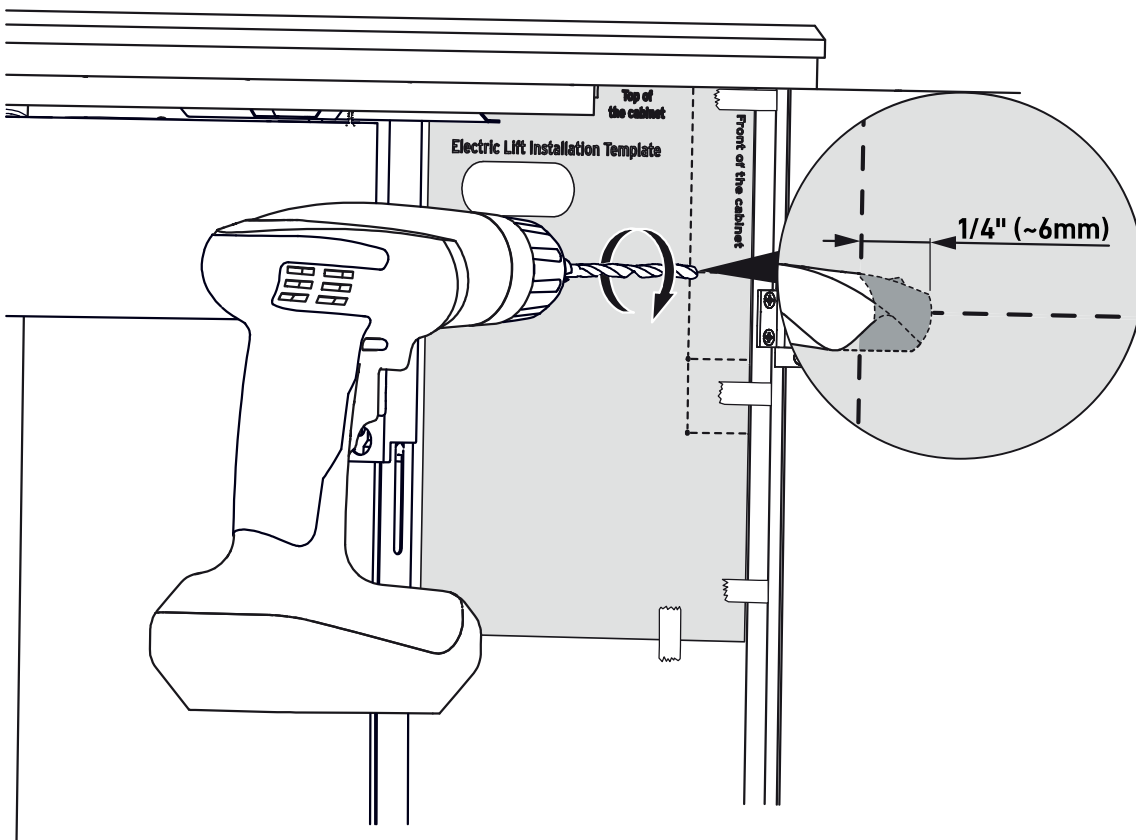
Make sure your printer output is set to Actual Size or 100%.  
Doublecheck your printed template against your controller.  
If all 3 of the holes do not line up with the 3 drilling markers,  
call Customer Service for assistance at 1-800-533-7347, ext. 1

Position the template inside the cabinet as shown.

The top edge of the template paper should touch the top panel of the cabinet, and the front edge of the template paper should be even with the front edge of the right-hand side panel.

Tape the template in place to prevent it from shifting as you drill.

**You will need a 1/16" Drill Bit.**



**Drill pilot holes NO DEEPER THAN 1/4" into the panel.**

**DO NOT DRILL ALL THE WAY THROUGH THE PANEL!**

Once your pilot holes are drilled, remove the template paper and use the provided screws (3) to mount the Vertical Programmable Controller.