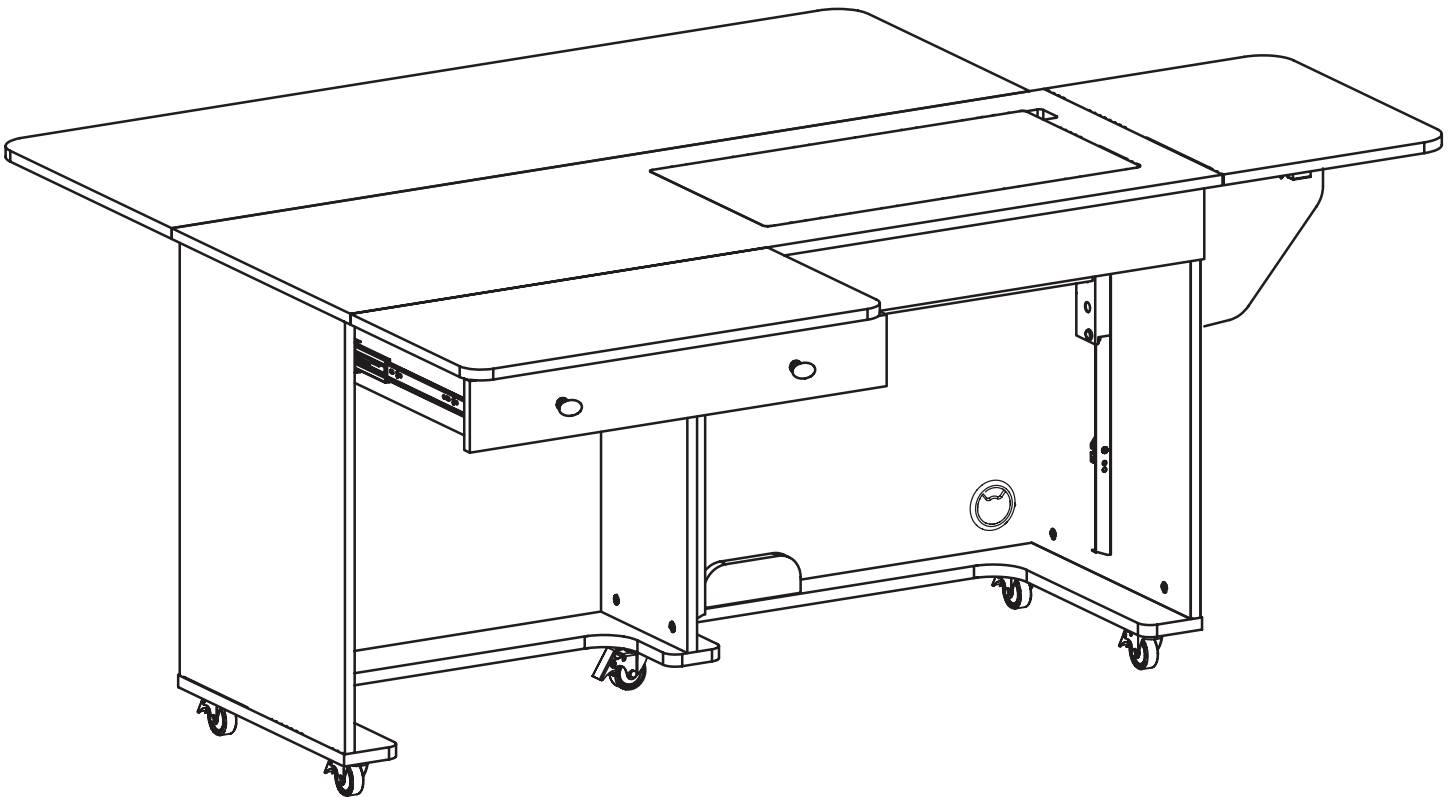




## ASSEMBLY INSTRUCTIONS

# Kangaroo

<b>ITEM NO.:</b>	K8805	Hydraulic Lift Teak
	K8807	Hydraulic Lift Gray
	K8811	Hydraulic Lift Ash White
	K8805EL	Electric Lift Teak
	K8807EL	Electric Lift Gray
	K8811EL	Electric Lift Ash White



# General Assembly Guidelines

1. Read the instructions carefully before beginning the assembly process to ensure proper assembly of this product. Please open and inspect the contents of box(es) to see that all parts and hardware are included.

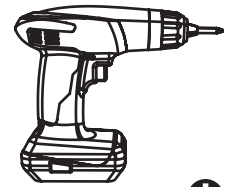
## 2. Tools Required



Phillips Screwdriver ⊕

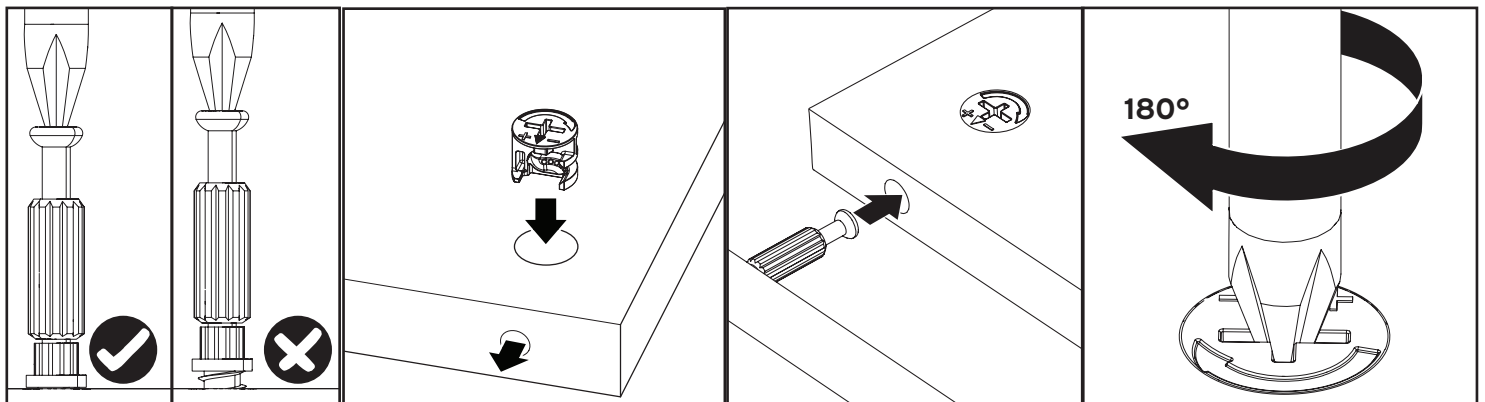


Hammer



Electric Screwdriver ⊕  
Torque set to 3-5

## 3. Understanding How the Cam Fastener Works



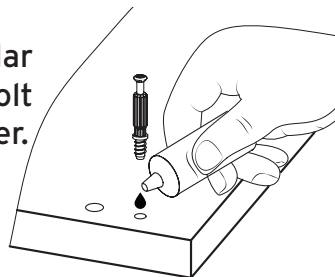
Screw cam bolts flush as illustrated.

Press cam into hole until flush with surface. The arrow direction must be in the direction of the hole.

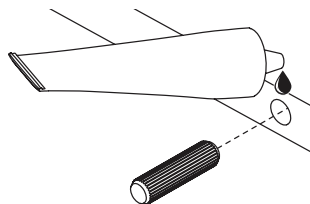
Insert bolt through pre-drilled hole in edge of panel.

Turn clockwise to lock cam with bolt.

**Tip:** place a small bit of WD-40 or similar lubricant into the pre-installed cam bolt holes to help the cam bolts screw in better.



4. **Glue** provided is to secure wood dowels in place and is optional. If glue is used during assembly, locate the appropriate hole for the dowel, place a small amount of glue in the hole and insert the dowel. Wipe away excess glue immediately. It is not necessary to glue the other end of the dowel when attaching to other parts.

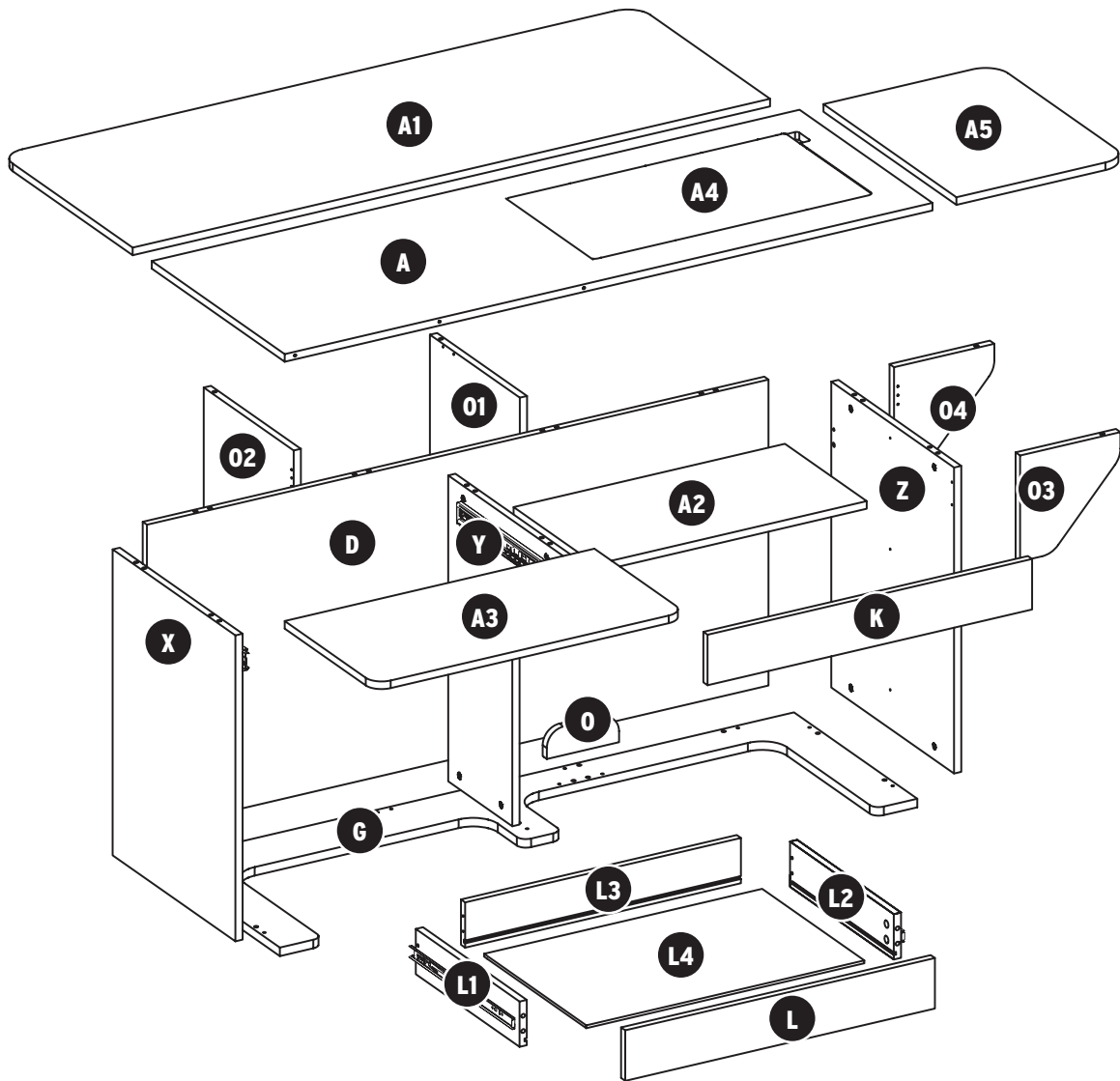


**Use and Care** Your cabinet normally requires a minimum amount of maintenance; however, the following points are worth noting:

**Cleaning** - To remove marks and enhance the surface, wipe with a gentle all-purpose cleanser. **DO NOT** use ammonia-based, harsh chemicals or abrasive cleaning agents. Wipe dry immediately.

**Electrical and Hydraulic Lifts** - Require annual lubrication with WD-40 or similar lubricant.

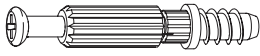
# Parts List: Panels



ITEM	DESCRIPTION	QTY.	PACK	ITEM	DESCRIPTION	QTY.	PACK
	Hardware Box & Instruction Manual	1	1 of 3	K	False Drawer Front Panel	1	2 of 3
X	Left Side Panel	1	1 of 3	A3	Drawer Cover Panel	1	2 of 3
Z	Right Side Panel	1	1 of 3	A2	Lift Platform	1	2 of 3
Y	Partition	1	1 of 3				
L1	Left Drawer Side	1	1 of 3	A	Top Panel	1	3 of 3
L2	Right Drawer Side	1	1 of 3	A4	Lift Opening Cover	1	3 of 3
O	Insert Holder	1	1 of 3	G	Bottom Panel	1	3 of 3
O1	Right Gate Leg	1	1 of 3	A5	Right Leaf Panel	1	3 of 3
L3	Drawer Back	1	1 of 3	O3	Front Right Leaf Support Panel	1	3 of 3
O2	Left Gate Leg	1	1 of 3	O4	Rear Right Leaf Support Panel	1	1 of 3
L4	Drawer Bottom	1	1 of 3				
D	Back Panel	1	2 of 3				
A1	Quilt Leaf	1	2 of 3				
L	Drawer Front	1	2 of 3				

# Parts List: Hardware

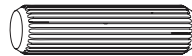
**TIP: Keep all the parts in their individually labeled bags. This will make finding parts easier as you assemble your cabinet.**



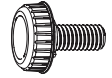
**c1** 6x35 Cam Bolt **x32**



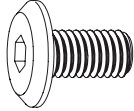
**c2**  $\frac{5}{8}$ " Cam Cover **x32**



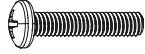
**d1** 8x30 Dowel Pin **x26**



**s4** Alignment Pin **x4**



**b1** 8x16 Fix Bolt **x20**



**b2** 4x20 Fix Bolt **x2**



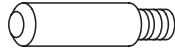
**s1** 3.5x14 Screw **x110**



**s3** 3.5x35 Screw **x4**



**s2** 3x14 Screw **x10**



**p1** Threaded Dowel Pin **x3**



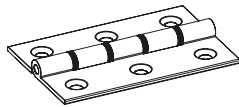
**a** Allen Wrench **x1**



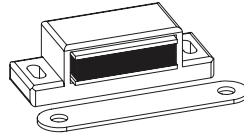
**r3** 14mm Wrench **x1**



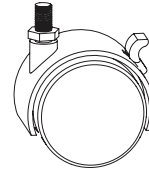
**h1** Knob **x2**



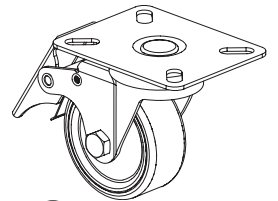
**h2** Butt Hinge **x14**



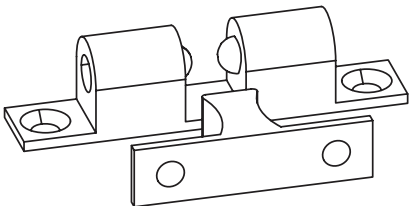
**m** Magnet **x5**



**t1** Caster **x2**



**t2** Plate Caster **x5**



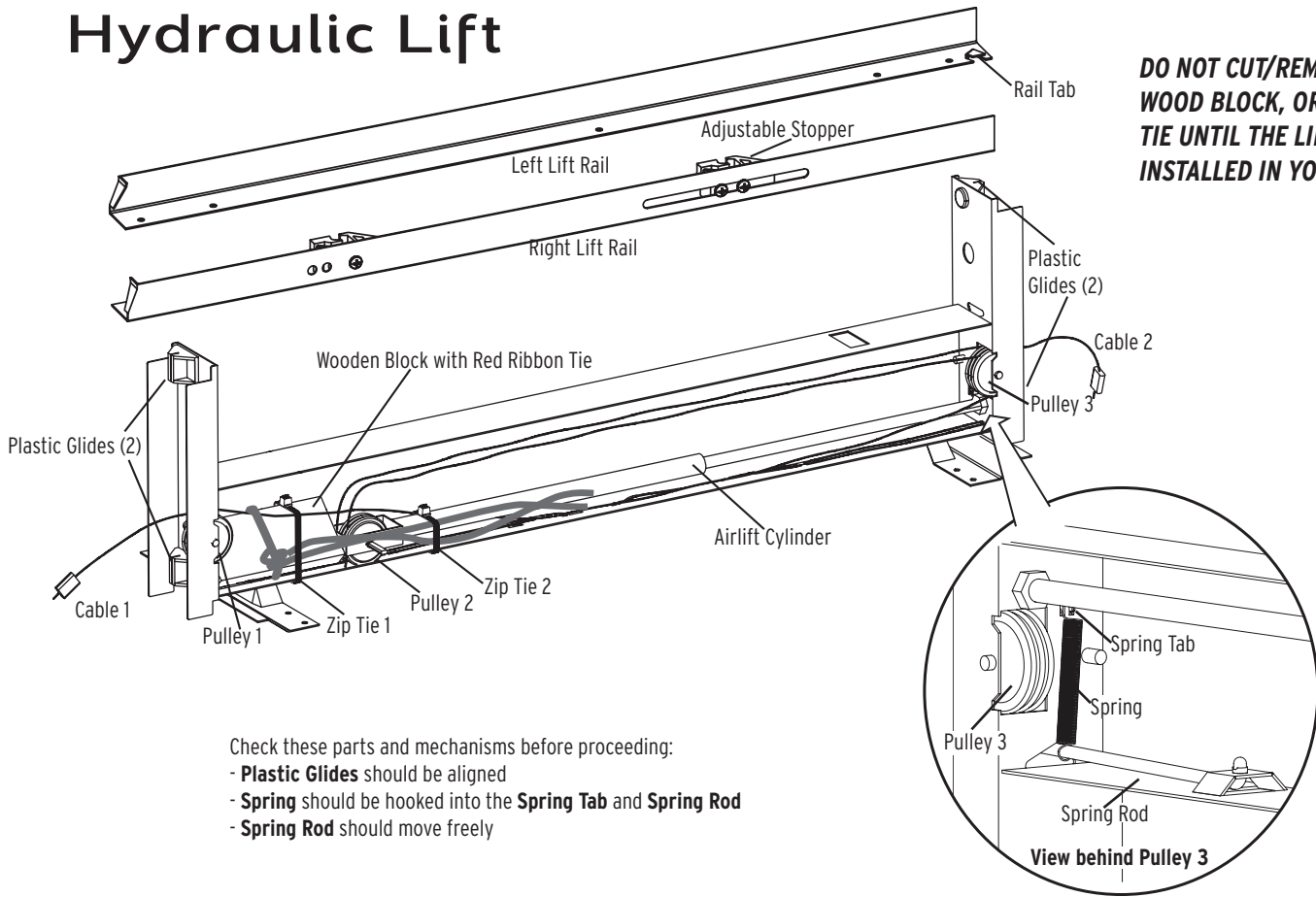
**b3** Ball Catch **x2**

**Pre-installed parts**

**c5** Cam  
Caster Bracket Drawer Runners

# Parts List: Lifts

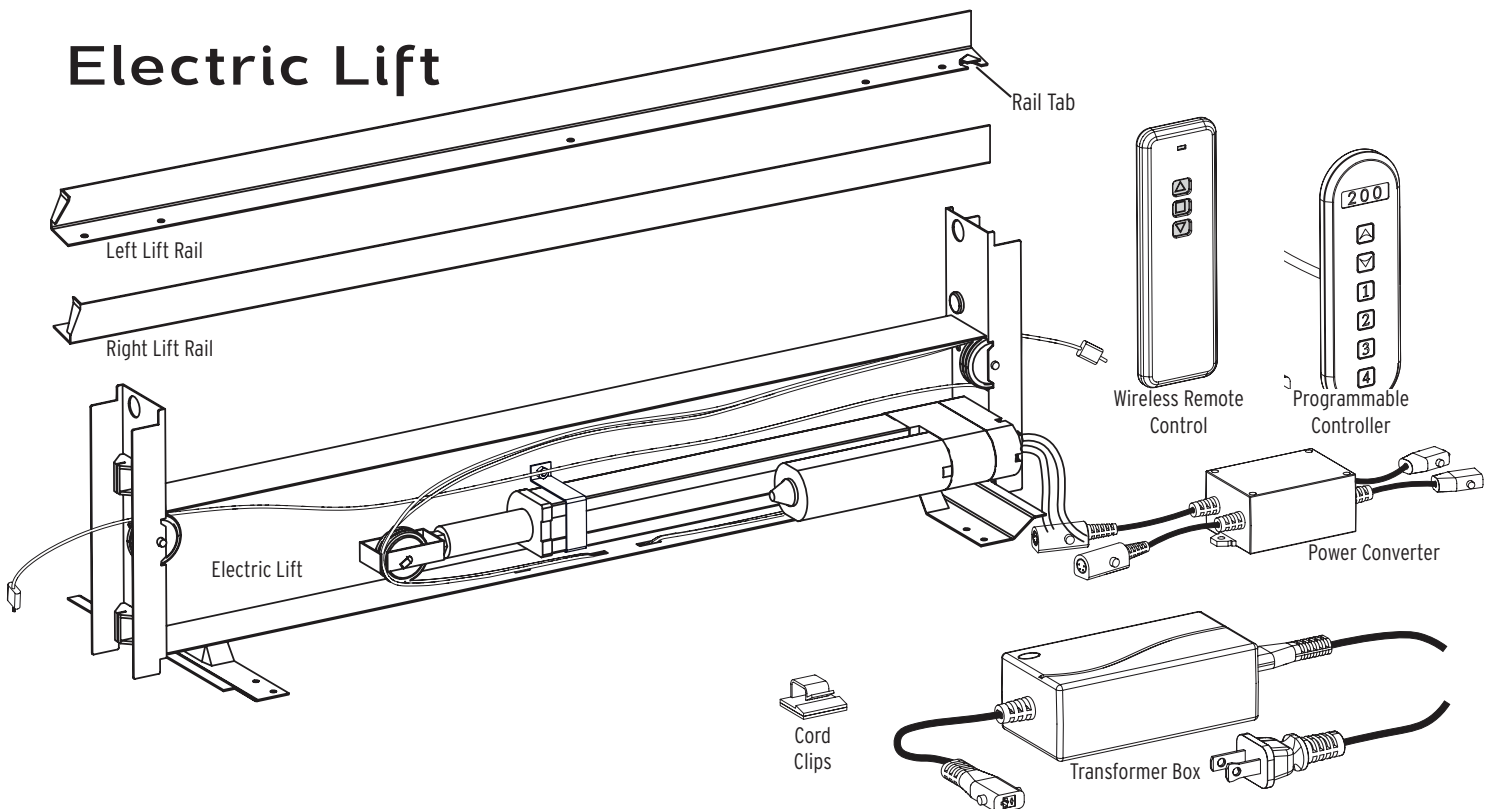
## Hydraulic Lift



**DO NOT CUT/REMOVE ZIP TIES, WOOD BLOCK, OR RED RIBBON TIE UNTIL THE LIFT HAS BEEN INSTALLED IN YOUR CABINET.**

Check these parts and mechanisms before proceeding:  
 - **Plastic Glides** should be aligned  
 - **Spring** should be hooked into the **Spring Tab** and **Spring Rod**  
 - **Spring Rod** should move freely

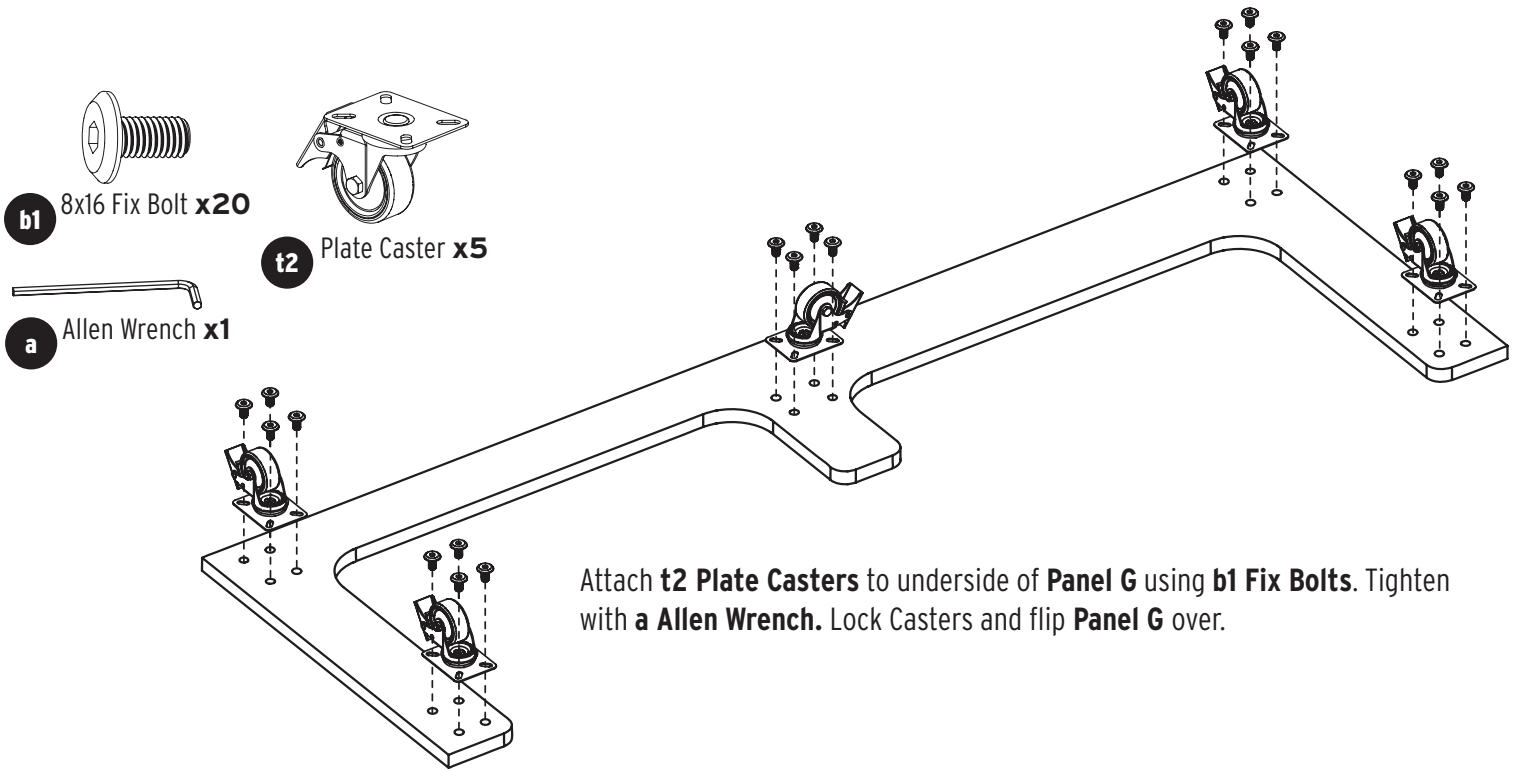
## Electric Lift



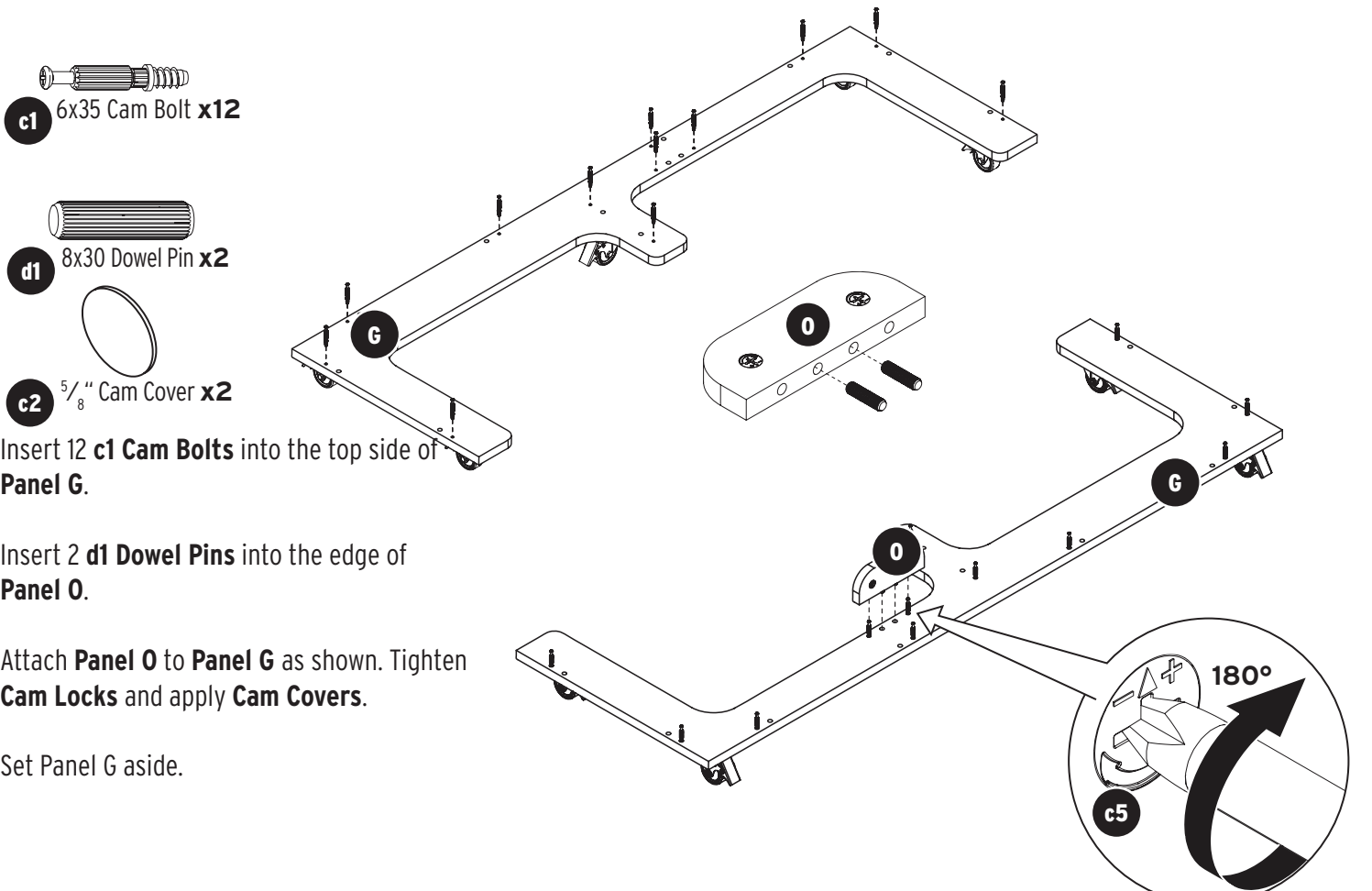
**NOTE:** Lift, Power Converter, Transformer Box and Programmable Controller arrive fully hooked up. You will need to disconnect all cords in order to install, and then re-engage cord connections once lift installation is complete.

# Part 1: Cabinet Shell

We can't wait to get your brand new Kangaroo Sewing Cabinet up and running. Please contact our Customer Service Team at 1-800-533-7347, ext. 1 during normal business hours with any assembly related questions.



Attach **t2 Plate Casters** to underside of **Panel G** using **b1 Fix Bolts**. Tighten with a **a Allen Wrench**. Lock Casters and flip **Panel G** over.



**c1** 6x35 Cam Bolt x12

**d1** 8x30 Dowel Pin x2

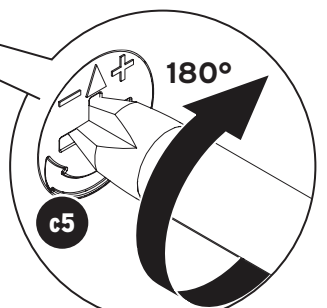
**c2** 5/8" Cam Cover x2

Insert 12 **c1 Cam Bolts** into the top side of **Panel G**.

Insert 2 **d1 Dowel Pins** into the edge of **Panel O**.

Attach **Panel O** to **Panel G** as shown. Tighten **Cam Locks** and apply **Cam Covers**.

Set Panel G aside.



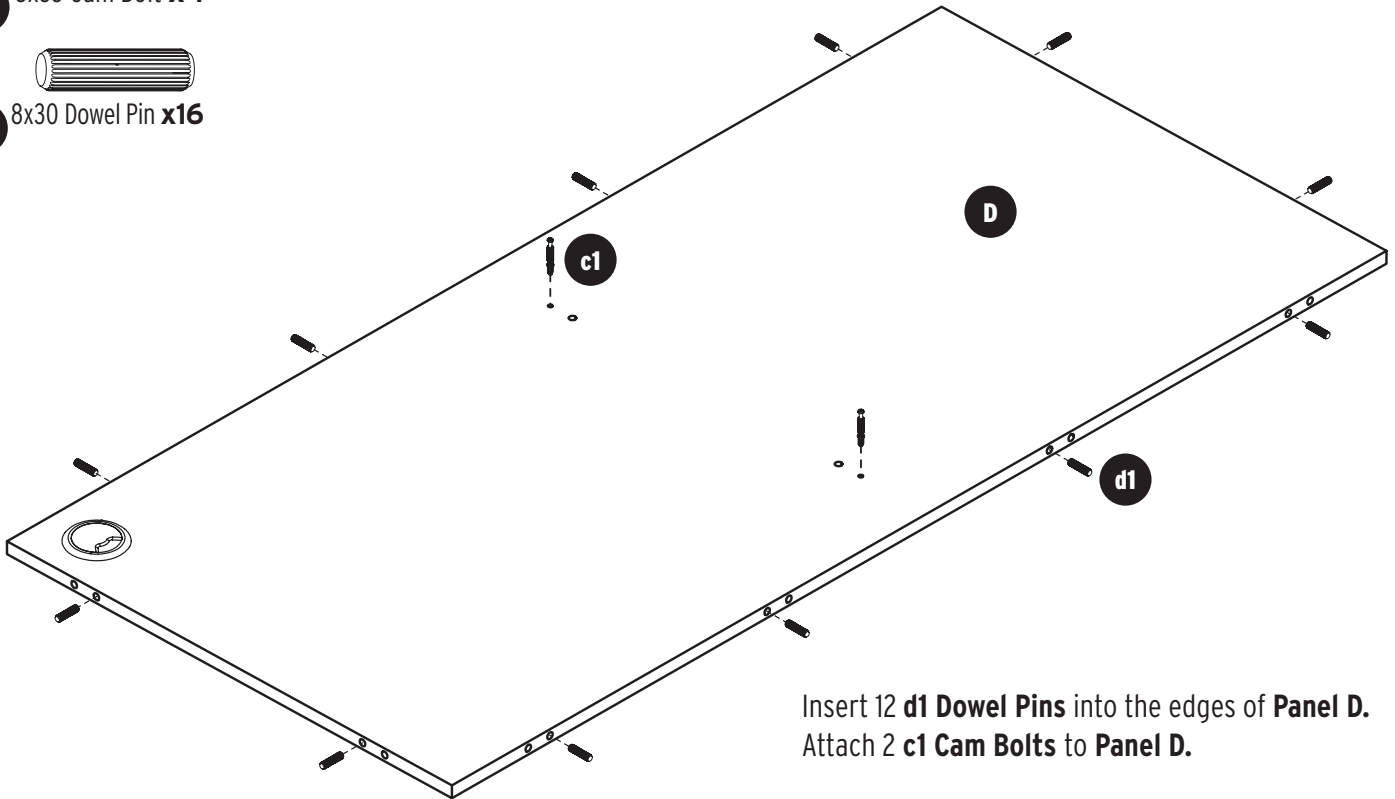
# Part 1: Cabinet Shell



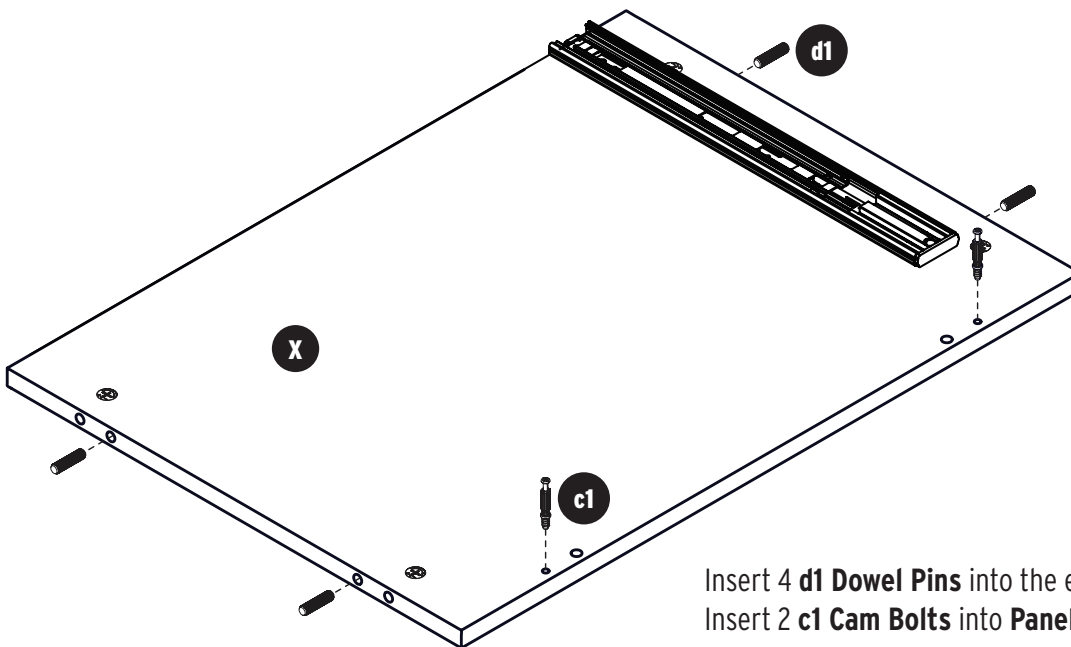
**c1** 6x35 Cam Bolt **x4**



**d1** 8x30 Dowel Pin **x16**



Insert 12 **d1 Dowel Pins** into the edges of **Panel D**.  
Attach 2 **c1 Cam Bolts** to **Panel D**.



Insert 4 **d1 Dowel Pins** into the edges of **Panel X**.  
Insert 2 **c1 Cam Bolts** into **Panel X**.

# Part 1: Cabinet Shell



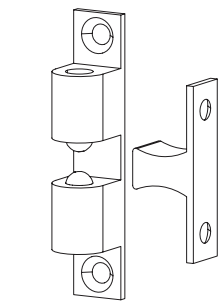
**d1** 8x30 Dowel Pin **x8**



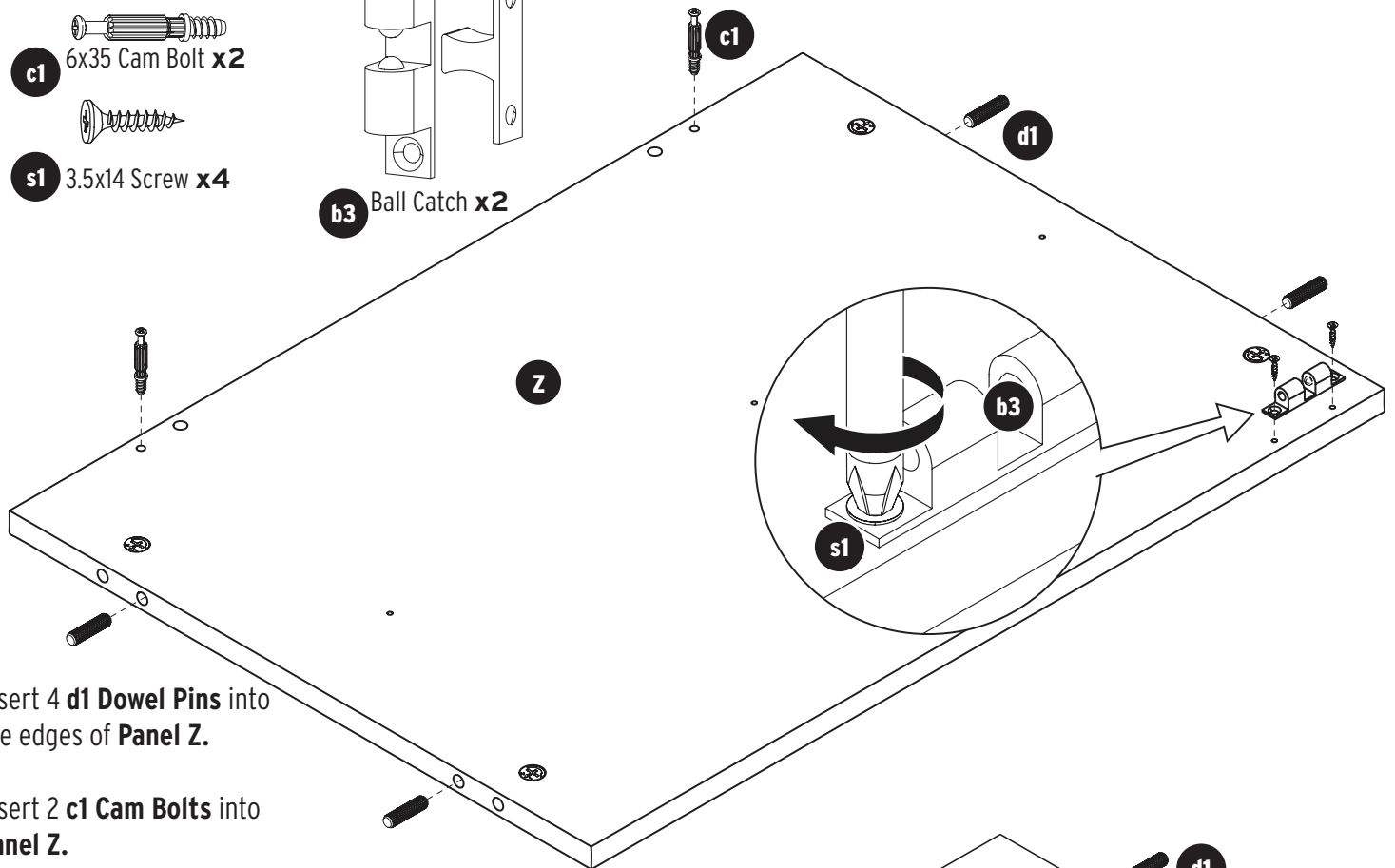
**c1** 6x35 Cam Bolt **x2**



**s1** 3.5x14 Screw **x4**



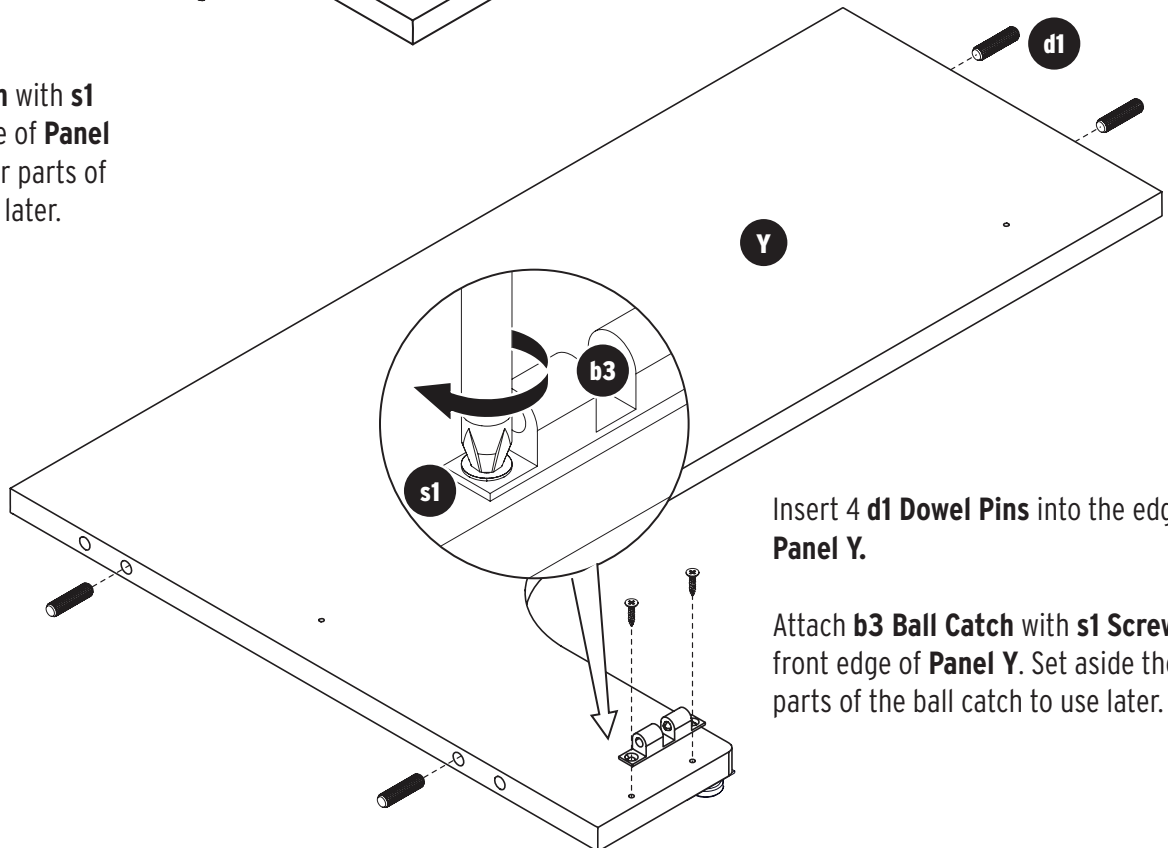
**b3** Ball Catch **x2**



Insert 4 **d1** Dowel Pins into the edges of **Panel Z**.

Insert 2 **c1** Cam Bolts into **Panel Z**.

Attach **b3** Ball Catch with **s1** Screws to front edge of **Panel Z**. Set aside the other parts of the ball catch to use later.



Insert 4 **d1** Dowel Pins into the edges of **Panel Y**.

Attach **b3** Ball Catch with **s1** Screws to front edge of **Panel Y**. Set aside the other parts of the ball catch to use later.

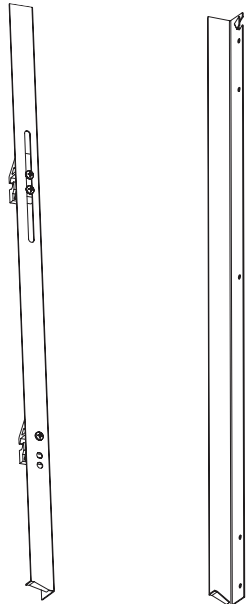


# Part 1: Cabinet Shell

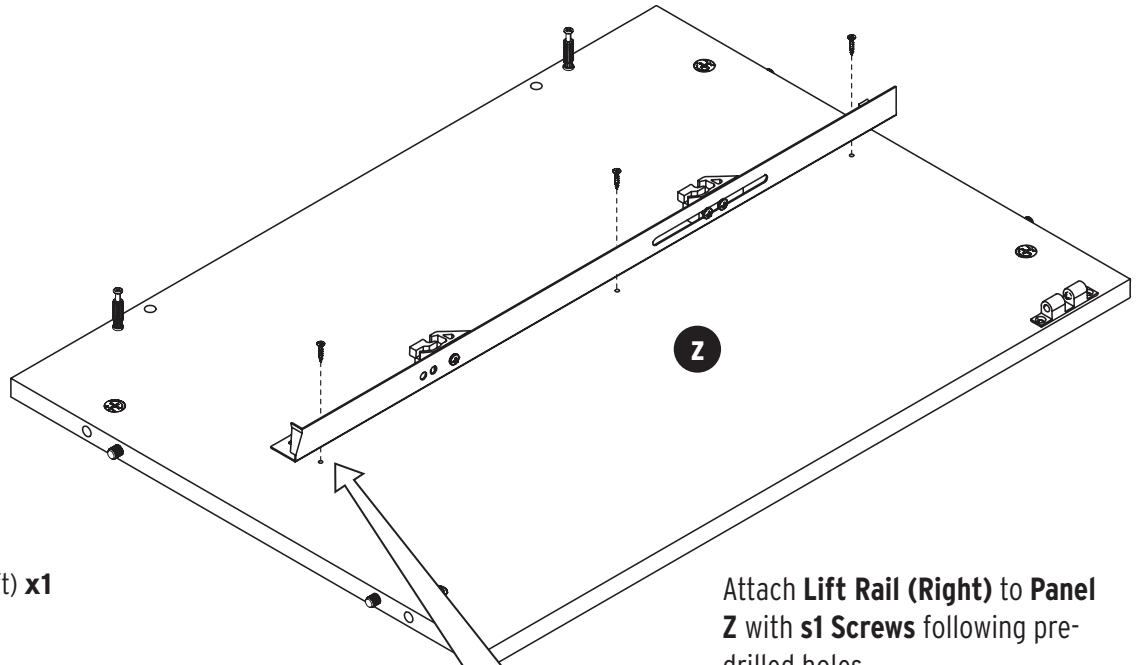


**s1** 3.5x14 Screw **x6**

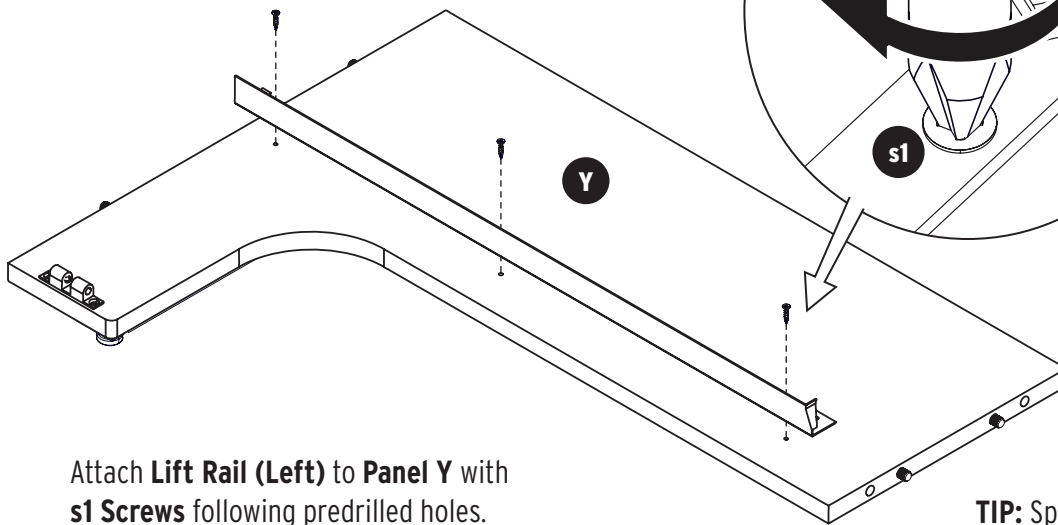
**NOTE:** Lift Rails depicted in the drawings below are the Hydraulic Lift Rails. Electric Lift Rails install in the same way. Be sure to position the Rail Tab end of the Lift Rail at the top of the panel.



Lift Rail (Right) **x1** Lift Rail (Left) **x1**



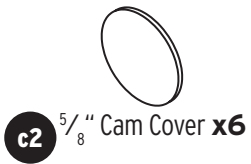
Attach **Lift Rail (Right)** to **Panel Z** with **s1 Screws** following pre-drilled holes.



Attach **Lift Rail (Left)** to **Panel Y** with **s1 Screws** following predrilled holes.

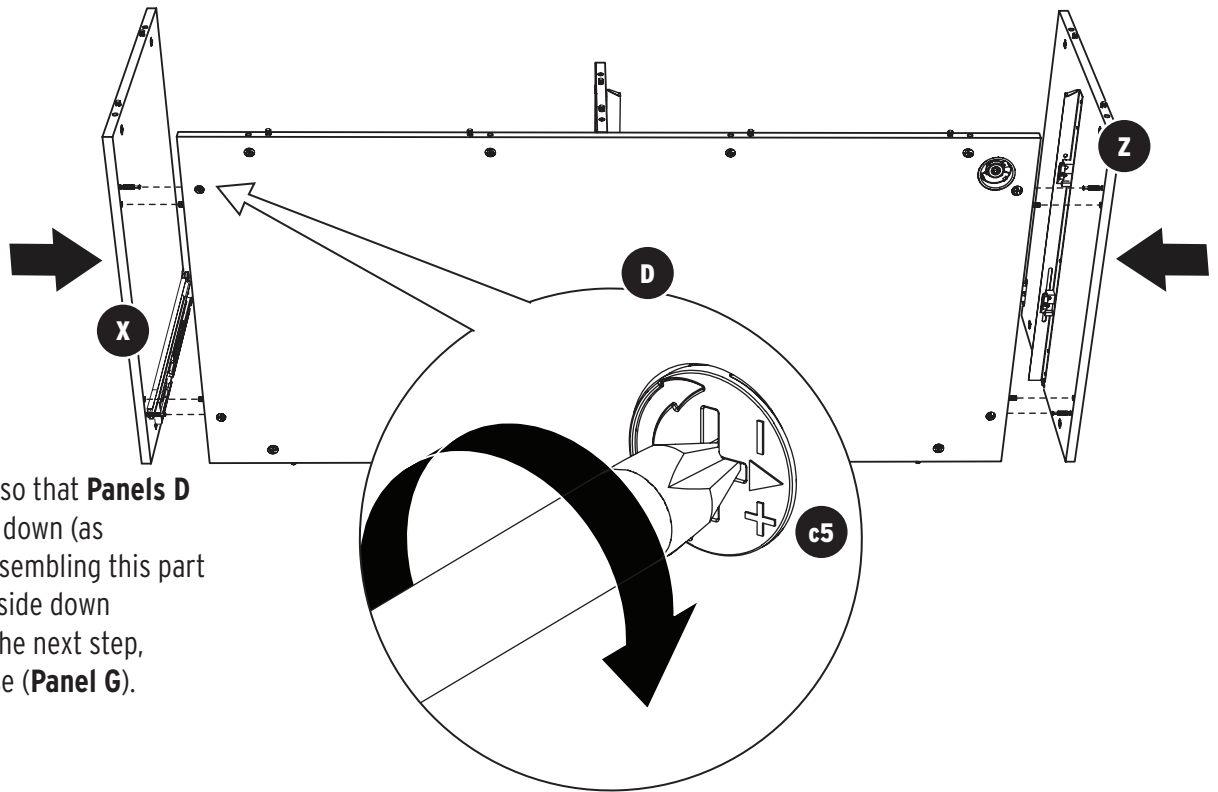
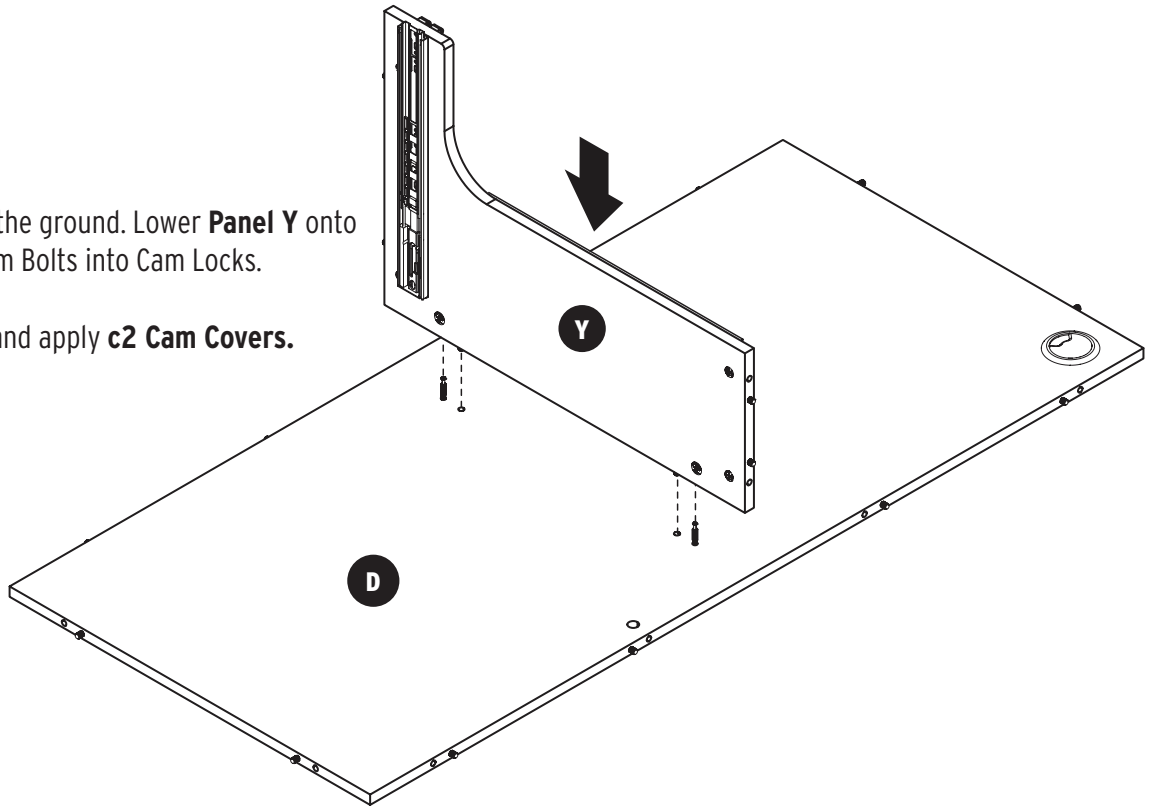
**TIP:** Spray a small amount of WD-40 or similar lubricant onto a paper towel and wipe the newly installed rails. This will make lift installation and operation easier.

# Part 1: Cabinet Shell



Lay **Panel D** flat on the ground. Lower **Panel Y** onto **Panel D**, guiding Cam Bolts into Cam Locks.

Tighten Cam Locks and apply **c2 Cam Covers**.



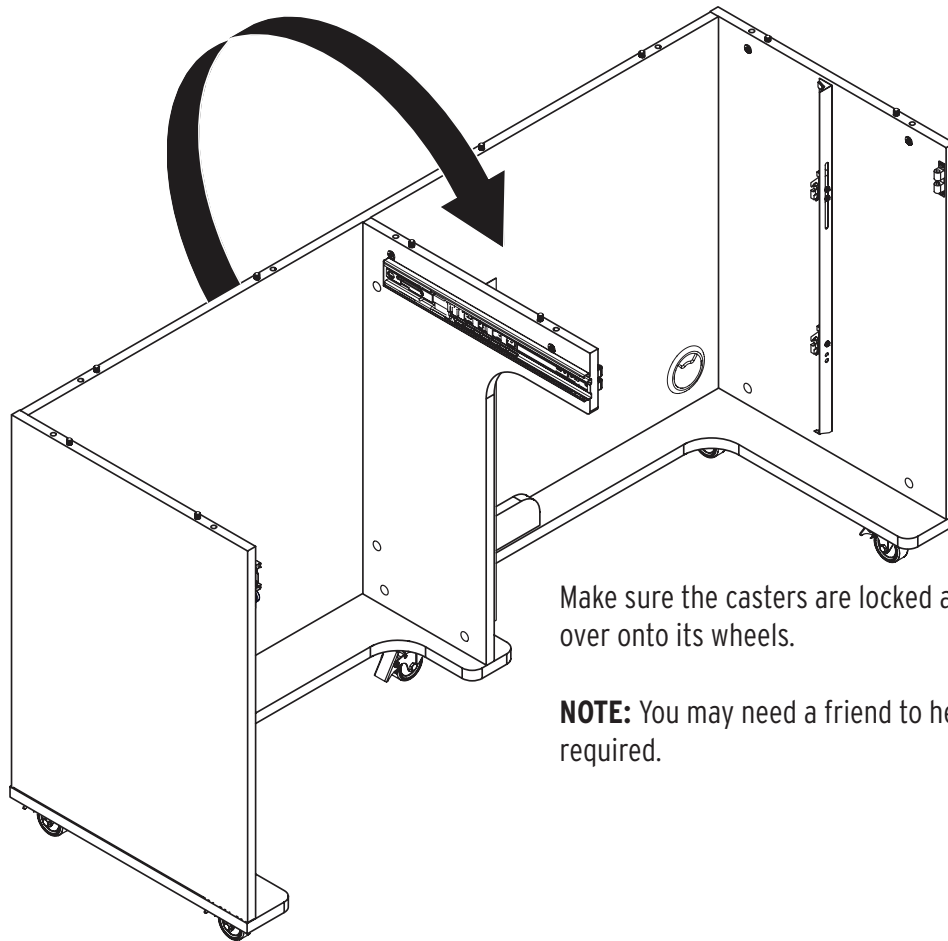
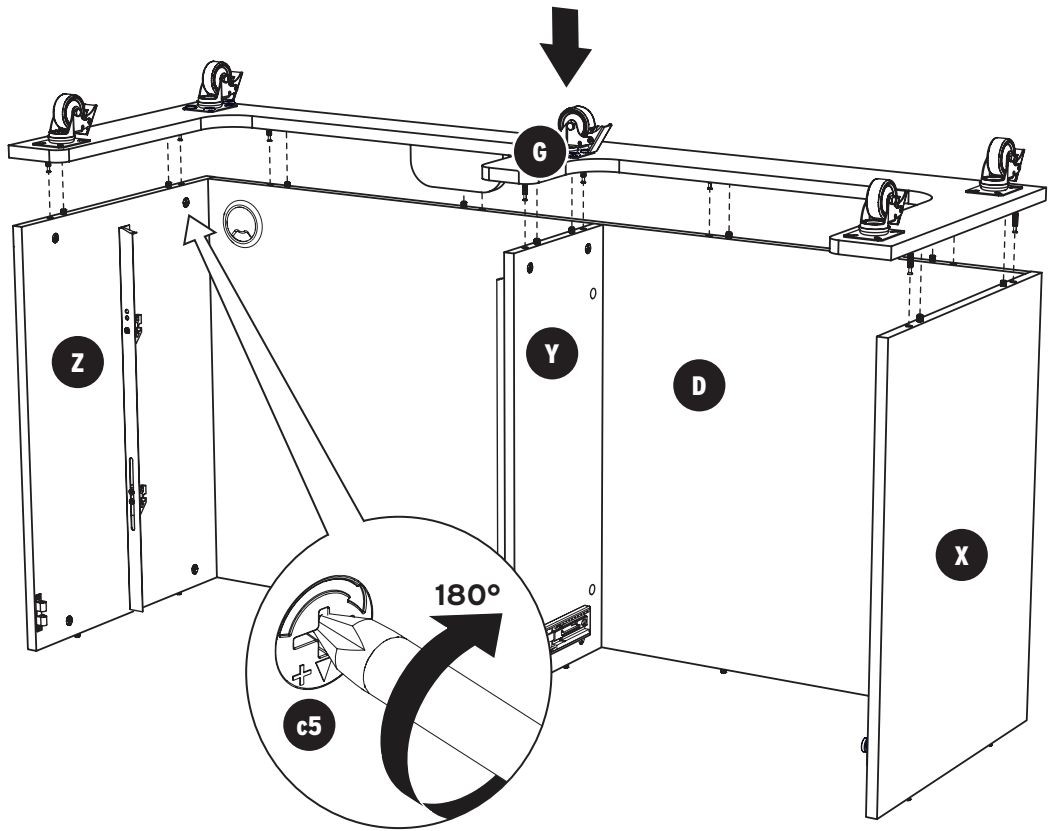
Turn your panels so that **Panels D and Y** are upside down (as shown above). Assembling this part of the cabinet upside down is important for the next step, attaching the base (**Panel G**).

Insert **c1 Cam Bolts** on **Panels X and Z** into cams on **Panel D**. Tighten cams and apply **c2 Cam Covers**.

# Part 1: Cabinet Shell



Attach **Panel G** to **Panels D, X, Y and Z** as shown. Tighten cam locks and apply **c2 Cam Covers**.



Make sure the casters are locked and turn the cabinet over onto its wheels.

**NOTE:** You may need a friend to help you, but it is not required.

## **Part 2: Lift Installation**

**Hydraulic Lift Installation: Page 13**

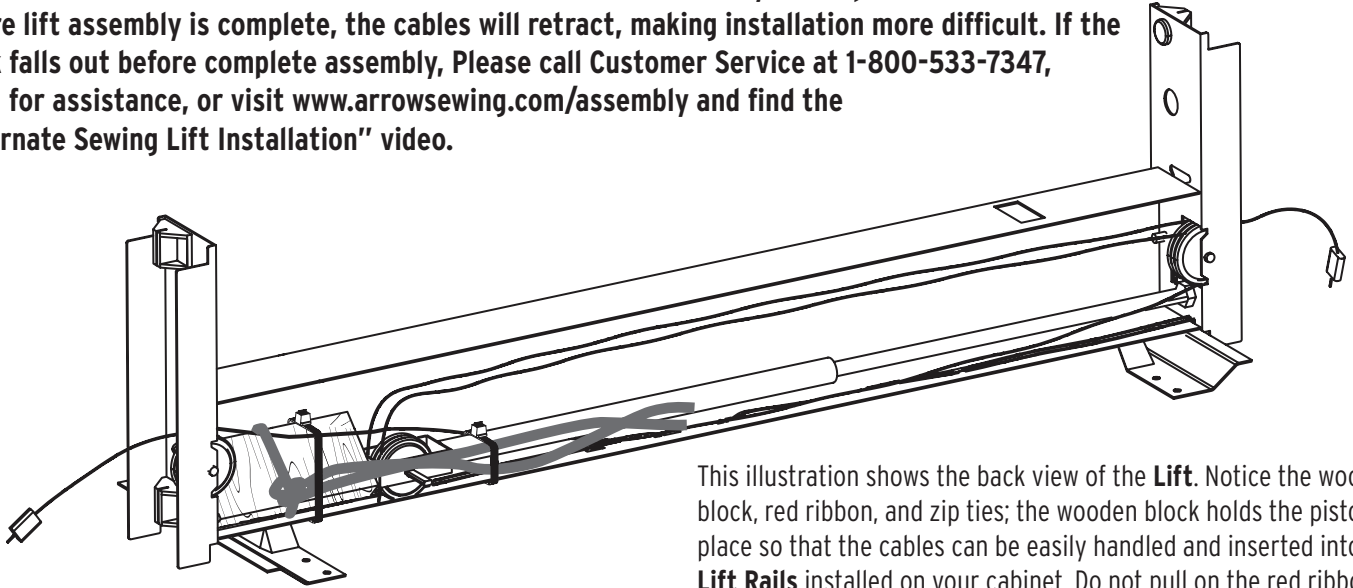
**Electric Lift Installation: Page 15**

# Part 2a: Hydraulic Lift Installation

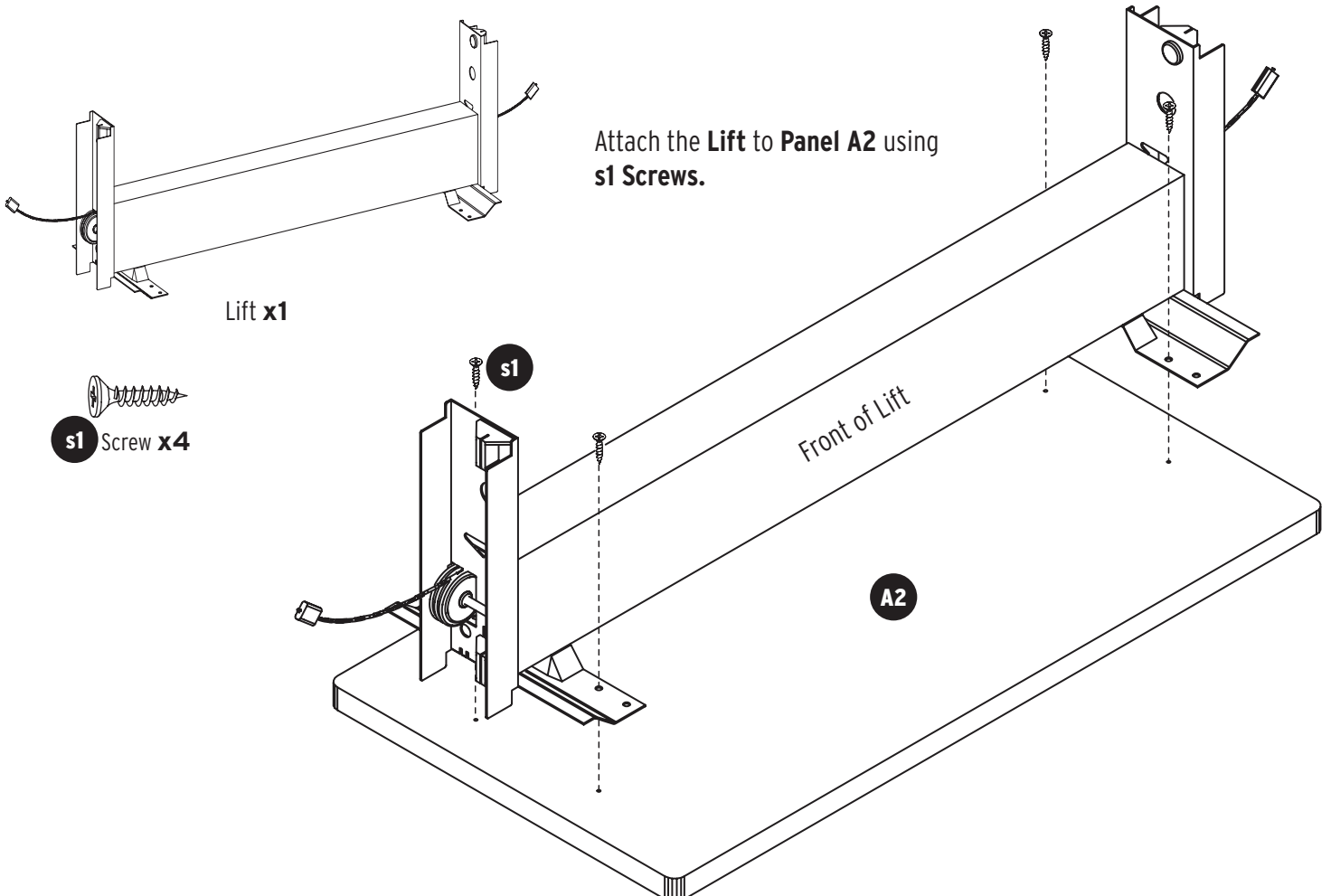
## HYDRAULIC LIFT INSTALLATION WARNING:

For video instructions, please visit [www.arrowsewing.com/assembly](http://www.arrowsewing.com/assembly) and find the "How to Install Your Hydraulic Lift" video.

**DO NOT** remove the small wooden block from the Lift until assembly is complete. If the block is removed or falls out before lift assembly is complete, the cables will retract, making installation more difficult. If the block falls out before complete assembly, Please call Customer Service at 1-800-533-7347, ext. 1 for assistance, or visit [www.arrowsewing.com/assembly](http://www.arrowsewing.com/assembly) and find the "Alternate Sewing Lift Installation" video.



This illustration shows the back view of the **Lift**. Notice the wooden block, red ribbon, and zip ties; the wooden block holds the piston in place so that the cables can be easily handled and inserted into the **Lift Rails** installed on your cabinet. Do not pull on the red ribbon or remove the zip ties just yet!



Attach the **Lift** to **Panel A2** using **s1** Screws.

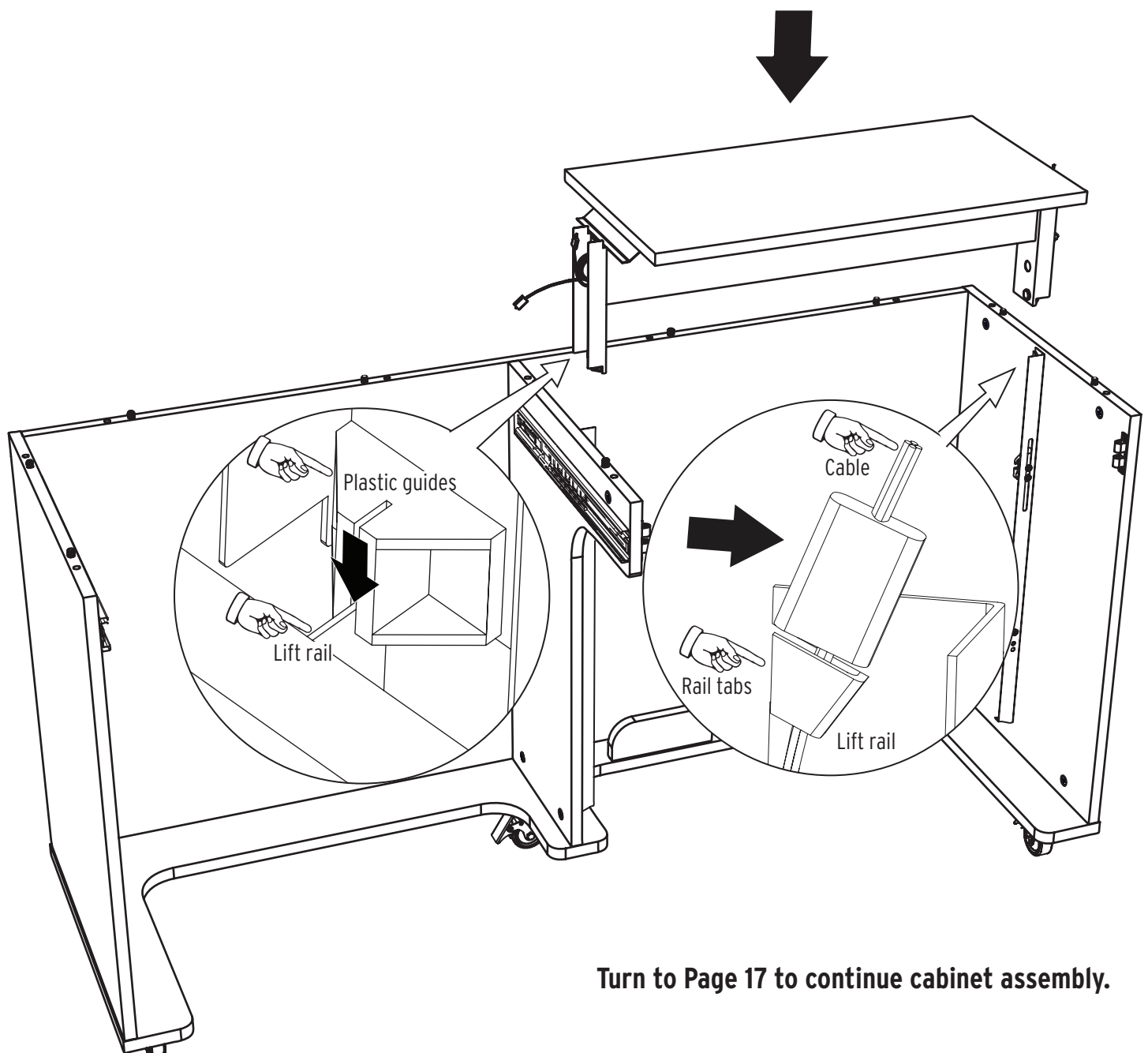
**s1** Screw **x4**

# Part 2a: Hydraulic Lift Installation

Guide **Lift** onto **Lift Rails** using plastic guides. Insert ends of cable into rail tabs; make sure the cable is hooked into the rail tabs on both sides.

Cut the zip ties on the lift, but **DO NOT** remove the block yet.

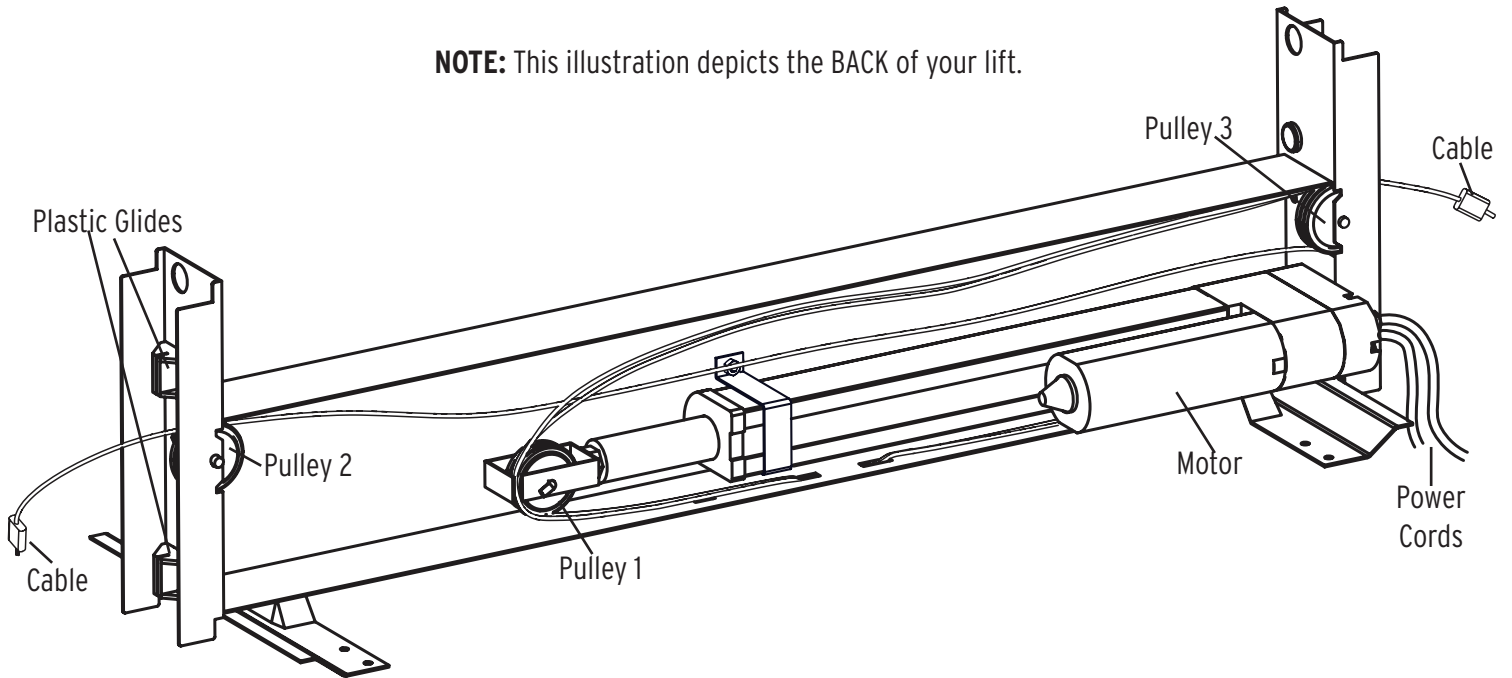
Lower the **Lift** to first lock position and remove the wooden block. It may fall out on its own once your lift is in position. If it does not, pull on the red ribbon to dislodge. **DO NOT ADJUST LIFT POSITION until the top is installed**, or you risk the Lift coming out and cables becoming disengaged.



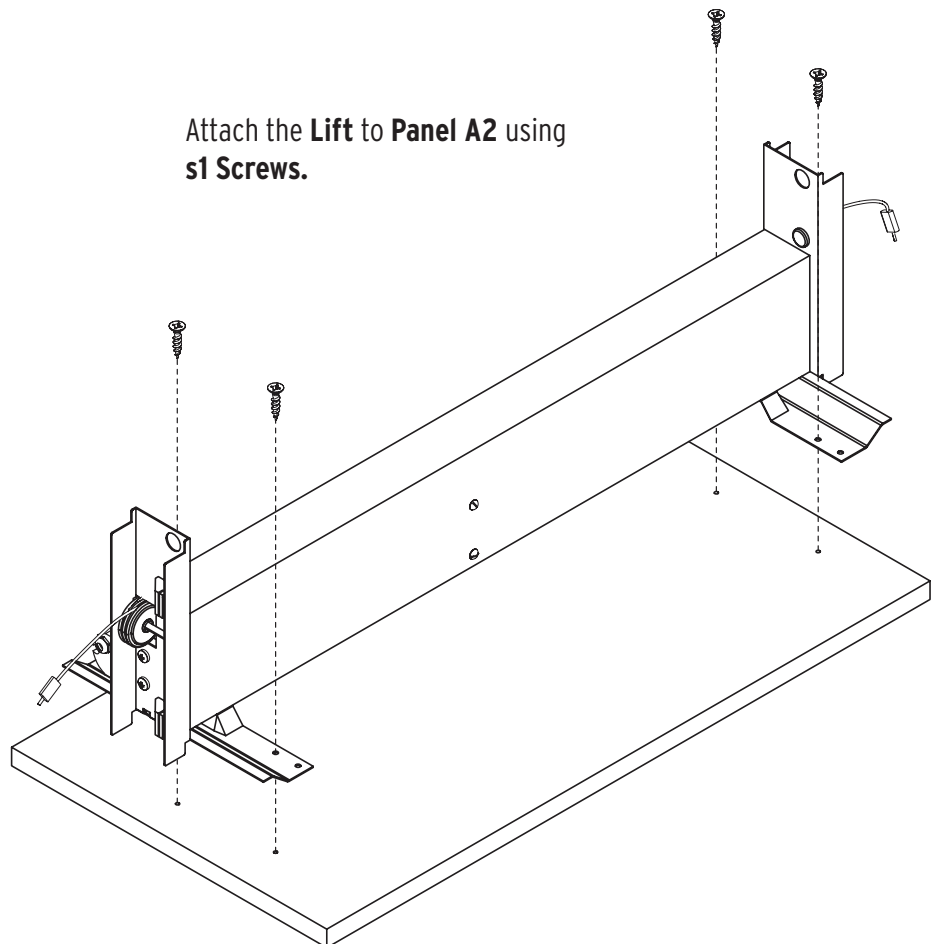
**Turn to Page 17 to continue cabinet assembly.**

# Part 2b: Electric Lift Installation

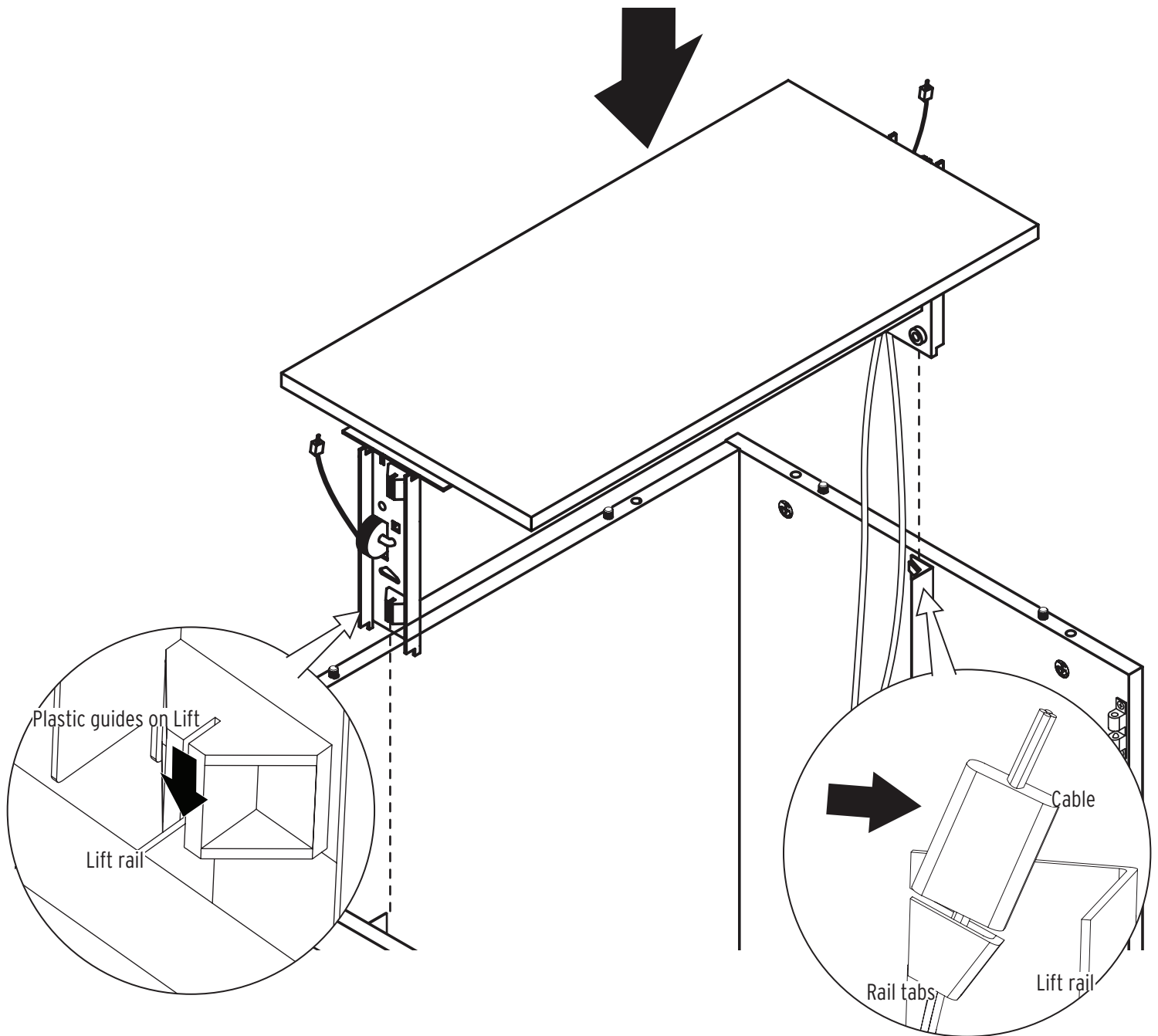
**NOTE:** This illustration depicts the BACK of your lift.



Attach the **Lift** to **Panel A2** using **s1 Screws**.



## Part 2b: Electric Lift Installation



Pull the Cable as far out as it will go.

Guide **Lift** onto **Lift Rails** using plastic guides. Insert ends of cable into rail tabs; make sure the cable is hooked into the rail tabs on both sides.

**Do you have questions? Email us anytime at [cs@arrowsewing.com](mailto:cs@arrowsewing.com) or give Arrow Sewing Customer Service a call for assistance at 1-800-533-7347, ext. 1 during normal business hours.**

**Turn to Page 17 to continue cabinet assembly.**

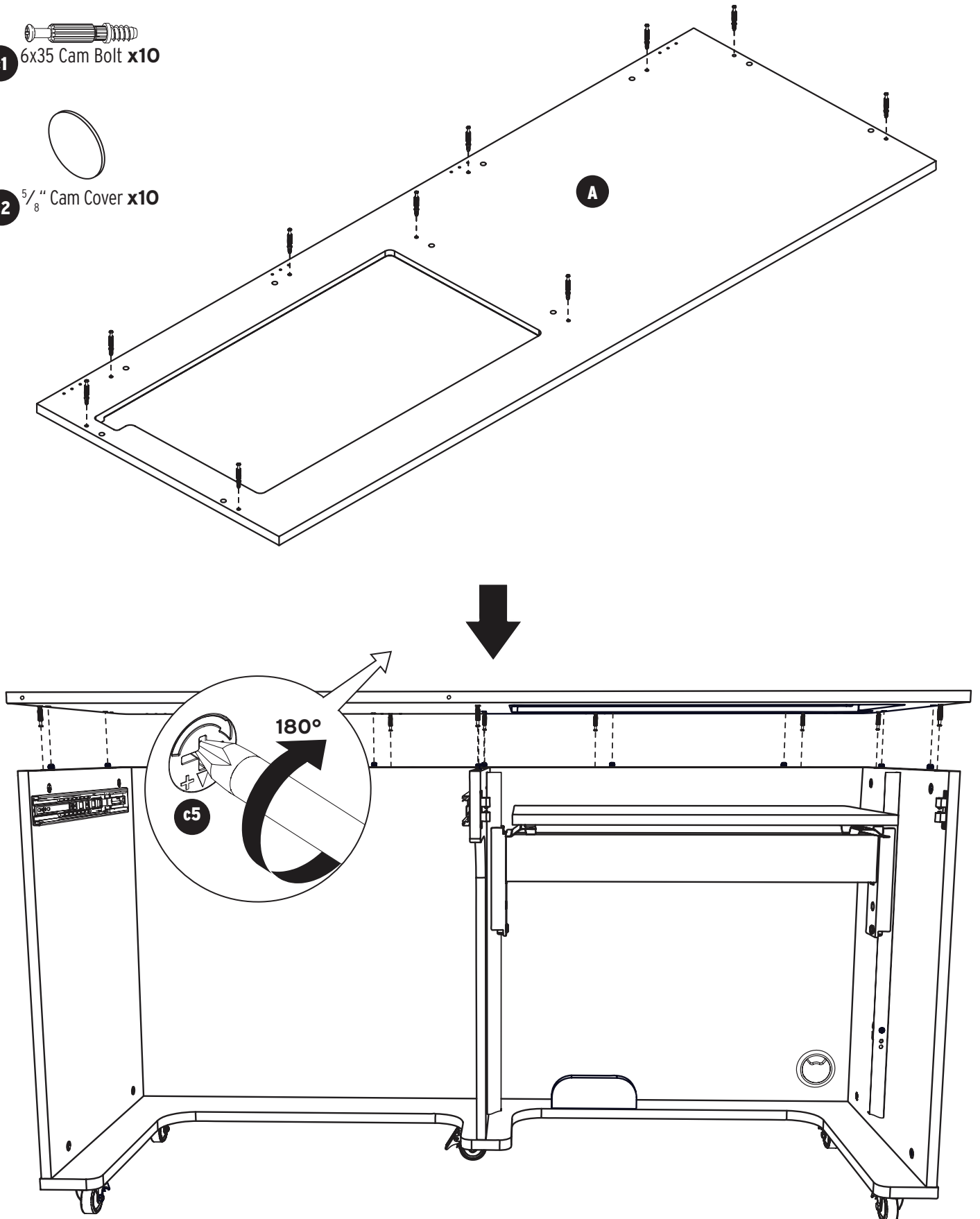
**Instructions for Electric Lift cord management and operation begin on Page 27.**



# Part 3: Top, Support Leaf and Quilt Panel

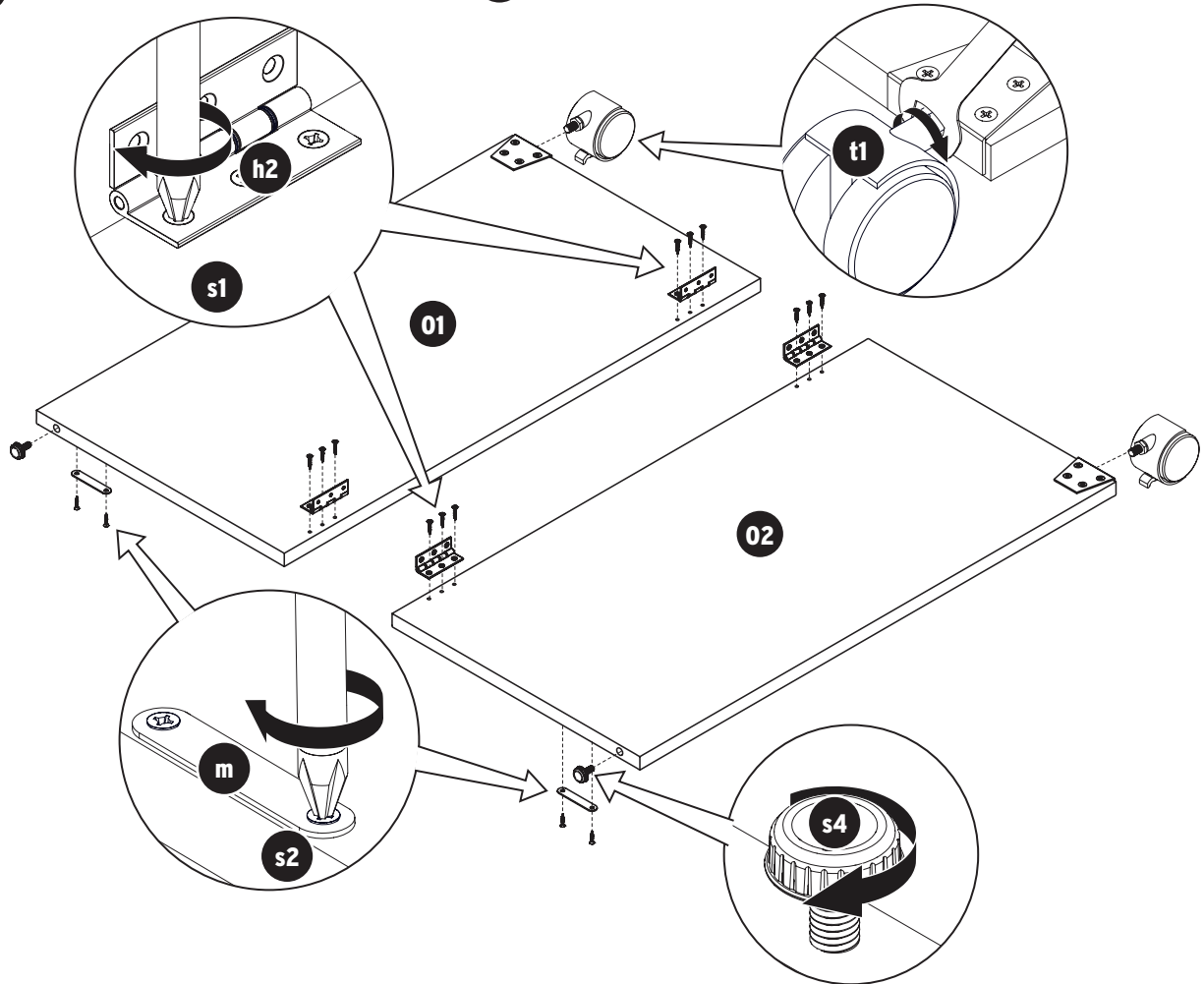
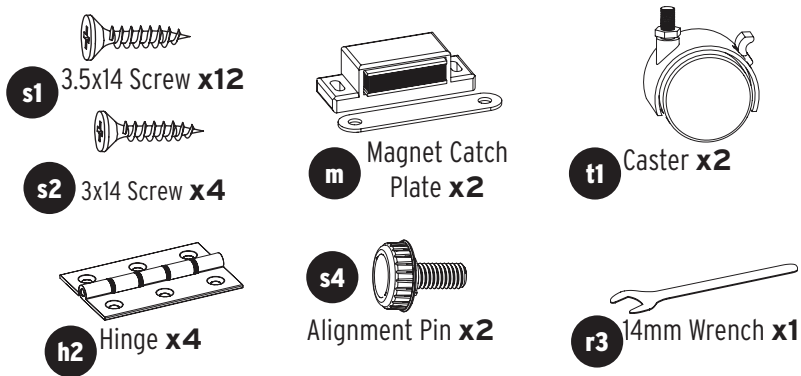
**c1** 6x35 Cam Bolt x10

**c2**  $\frac{5}{8}$ " Cam Cover x10



Lower **Panel A**, inserting cam bolts on **Panel A** onto cams on **Panels X, D, Y and Z**. Tighten cam locks and apply **c2 Cam Covers**.

# Part 3: Top, Support Leaf and Quilt Panel



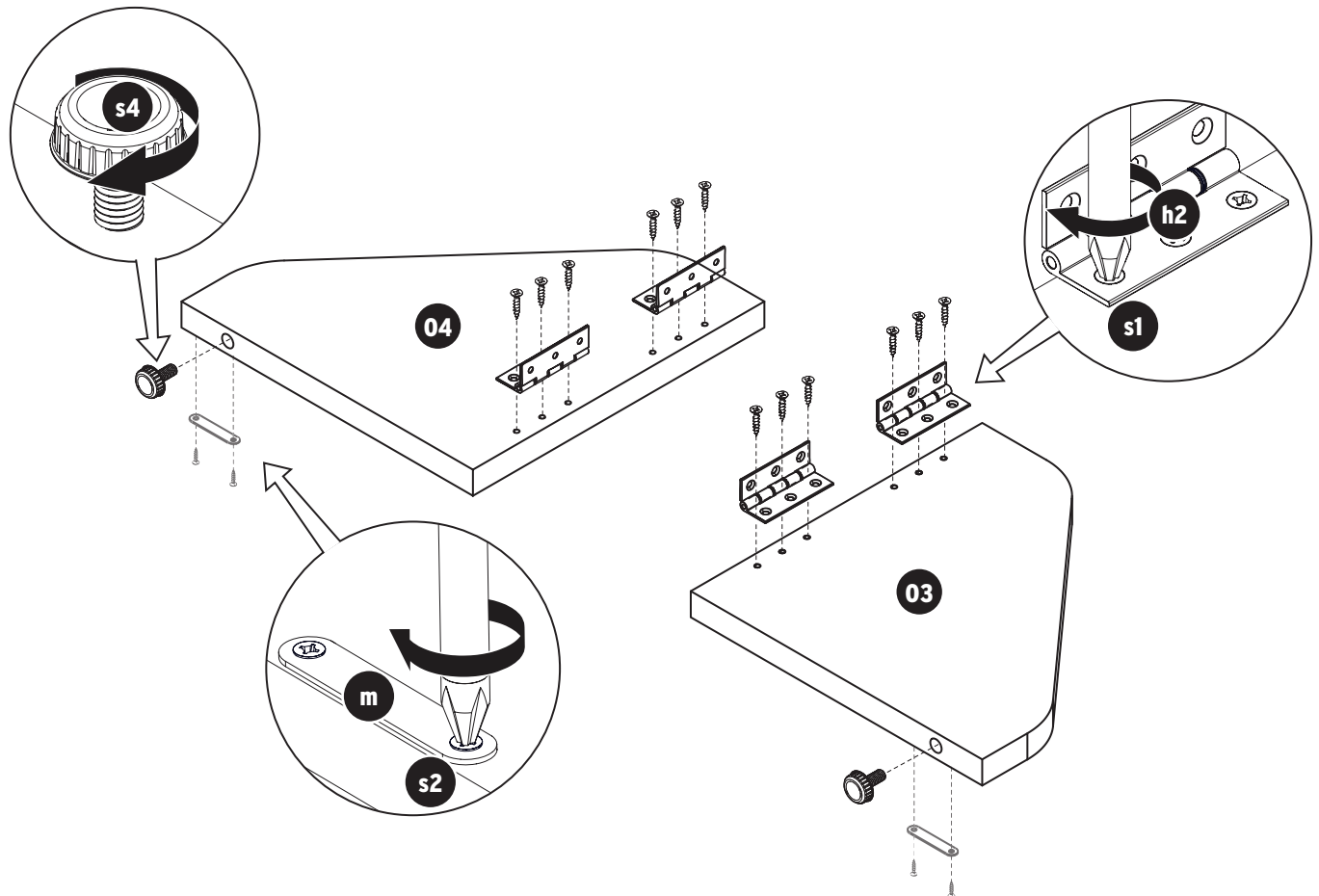
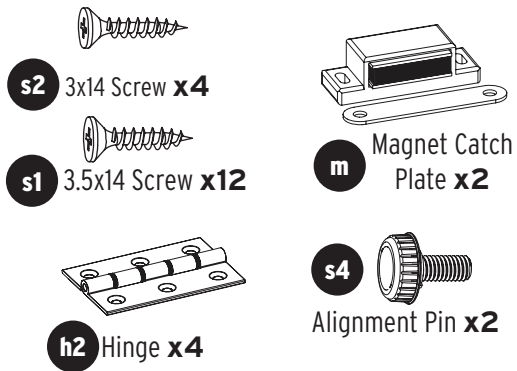
Attach **h2** Butt Hinges to **Panels 01** and **02** using **s1** Screws.

Attach **m** Magnet Catch Plates to underside of **Panels 01** and **02** using **s2** Screws.

Screw **s4** Alignment Pins into the pre-drilled hole in the top of **Panels 01** and **02**.

Screw **t1** Casters into the bottom of **Panels 01** and **02**. Tighten with **r3** Wrench.

# Part 3: Top, Support Leaf and Quilt Panel



Attach **h2** Butt Hinges to Panels **03** and **04** using **s1** Screws.

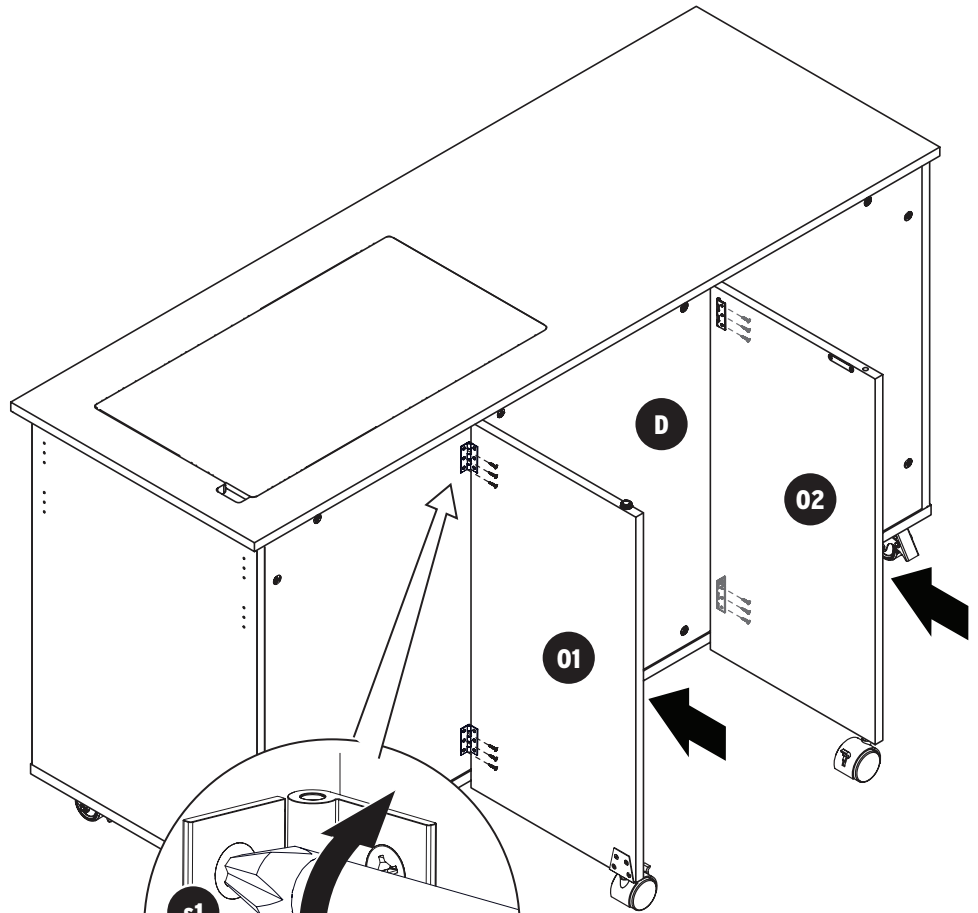
Attach **m** Magnet Catch Plates to the underside of Panels **03** and **04** using **s2** Screws.

Screw **s4** Alignment Pins into the pre-drilled hole in the top of Panels **03** and **04**.

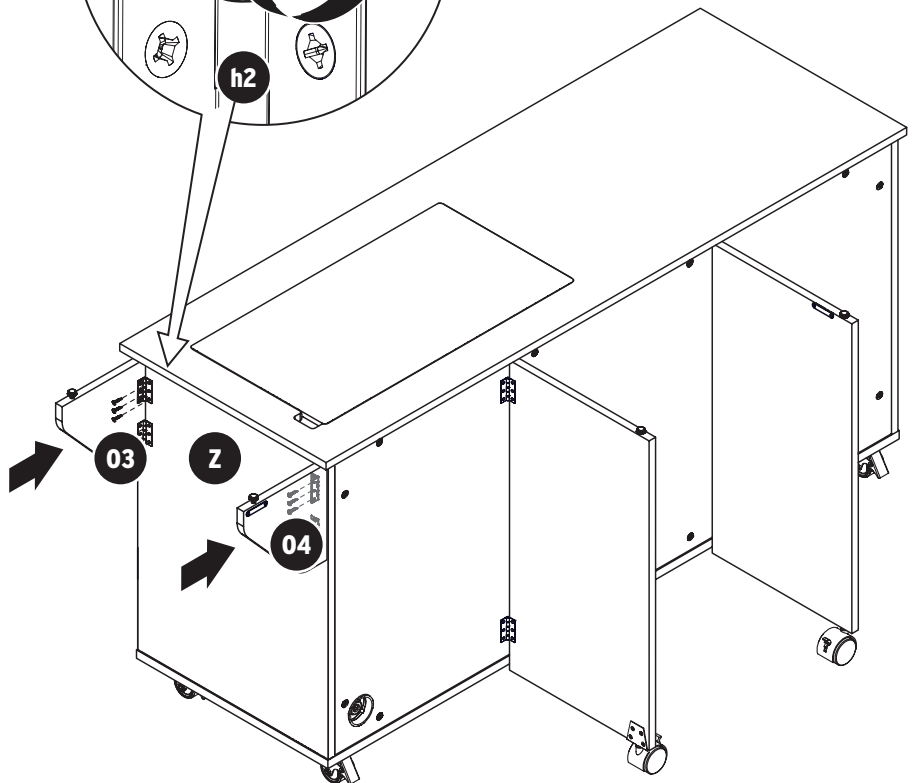
# Part 3: Top, Support Leaf and Quilt Panel

**s1**   
3.5x14 Screw **x24**

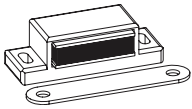
Attach **Panels 01 and 02** to **Panel D** using **s1** Screws.



Attach **Panels 03 and 04** to **Panel Z** using **s1** Screws.



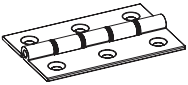
# Part 3: Top, Support Leaf and Quilt Panel



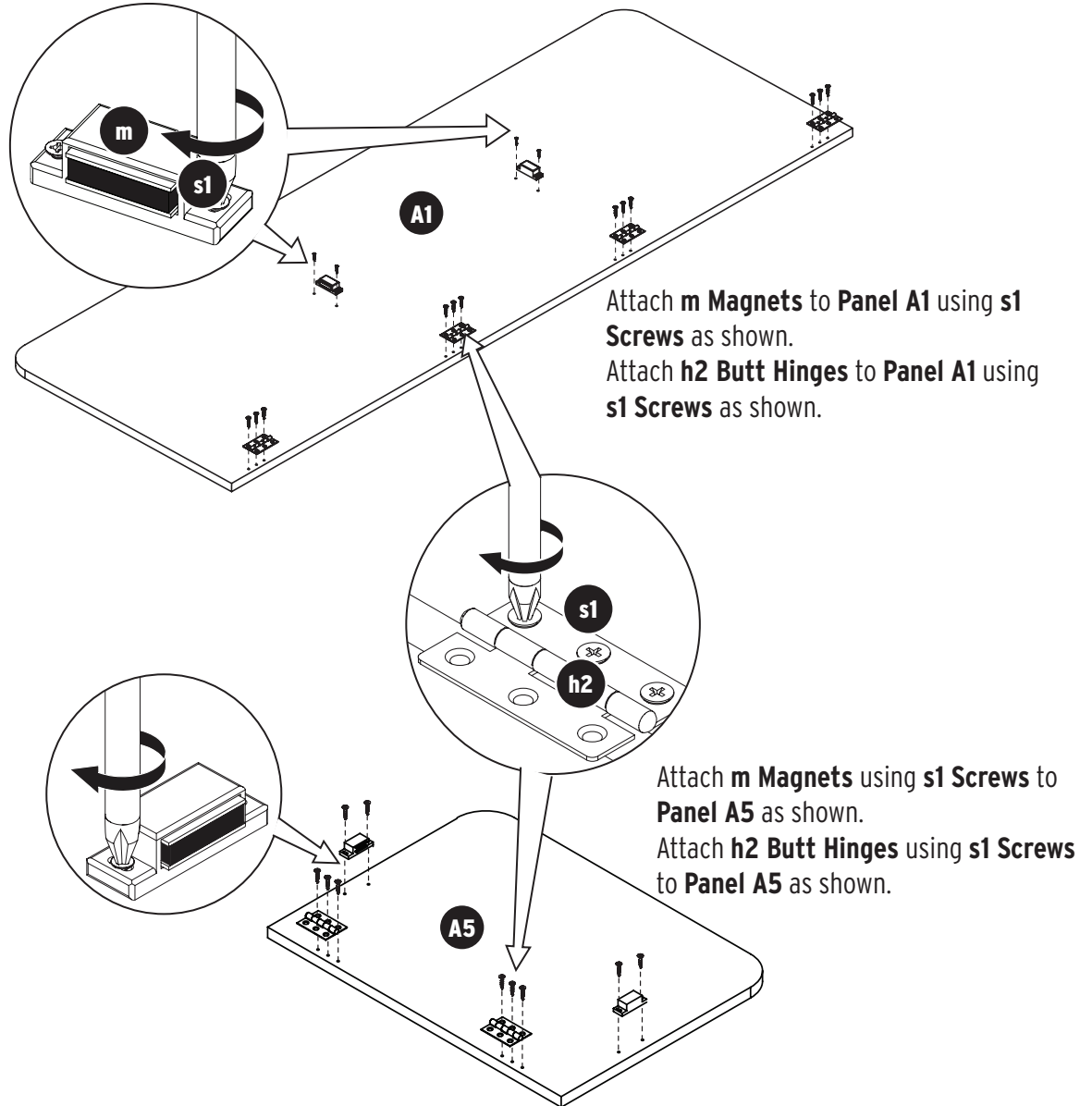
**m** Magnet **x4**



**s1** 3.5x14 Screw **x26**

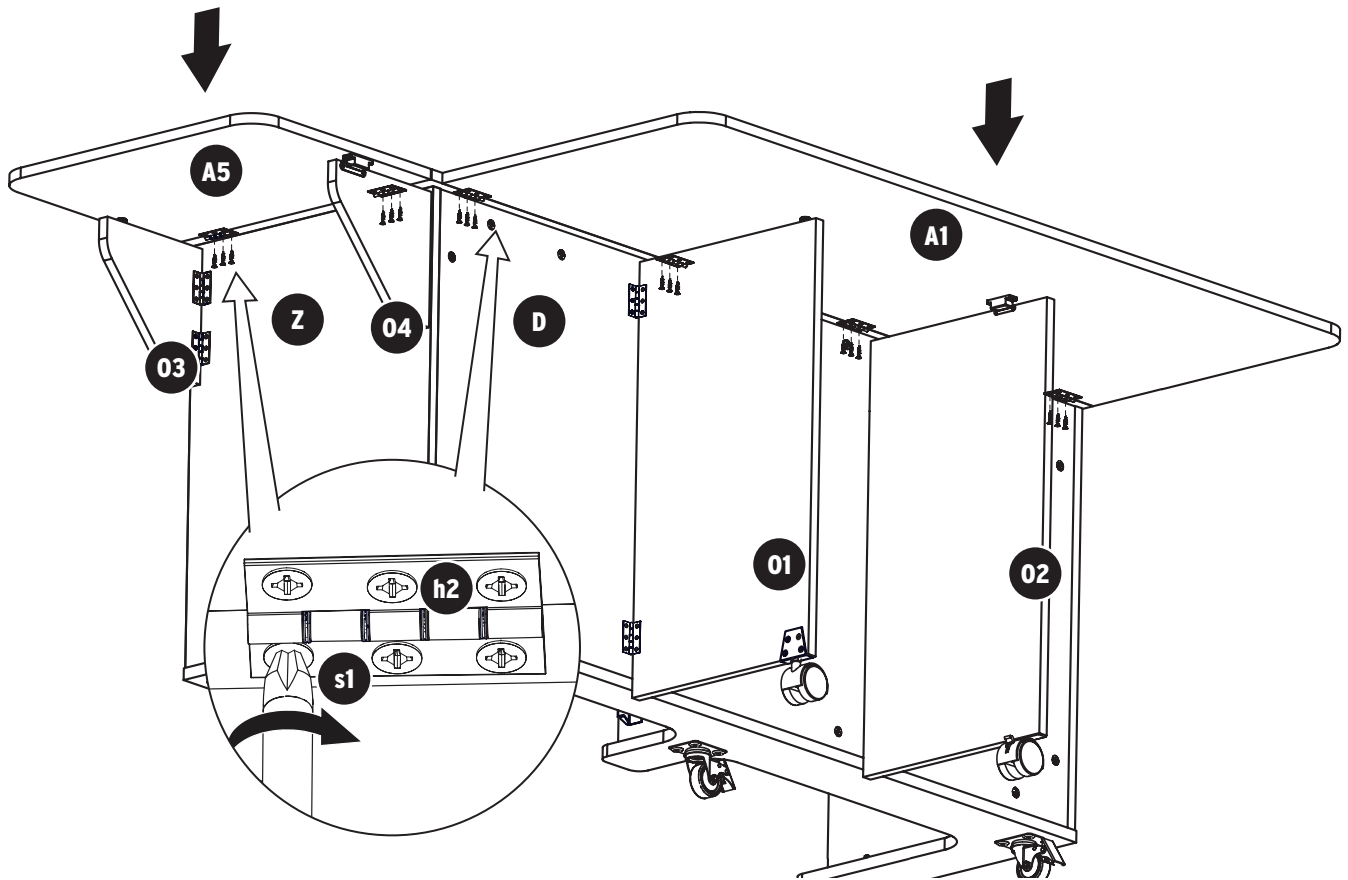


**h2** Hinge **x6**



# Part 3: Top, Support Leaf and Quilt Panel

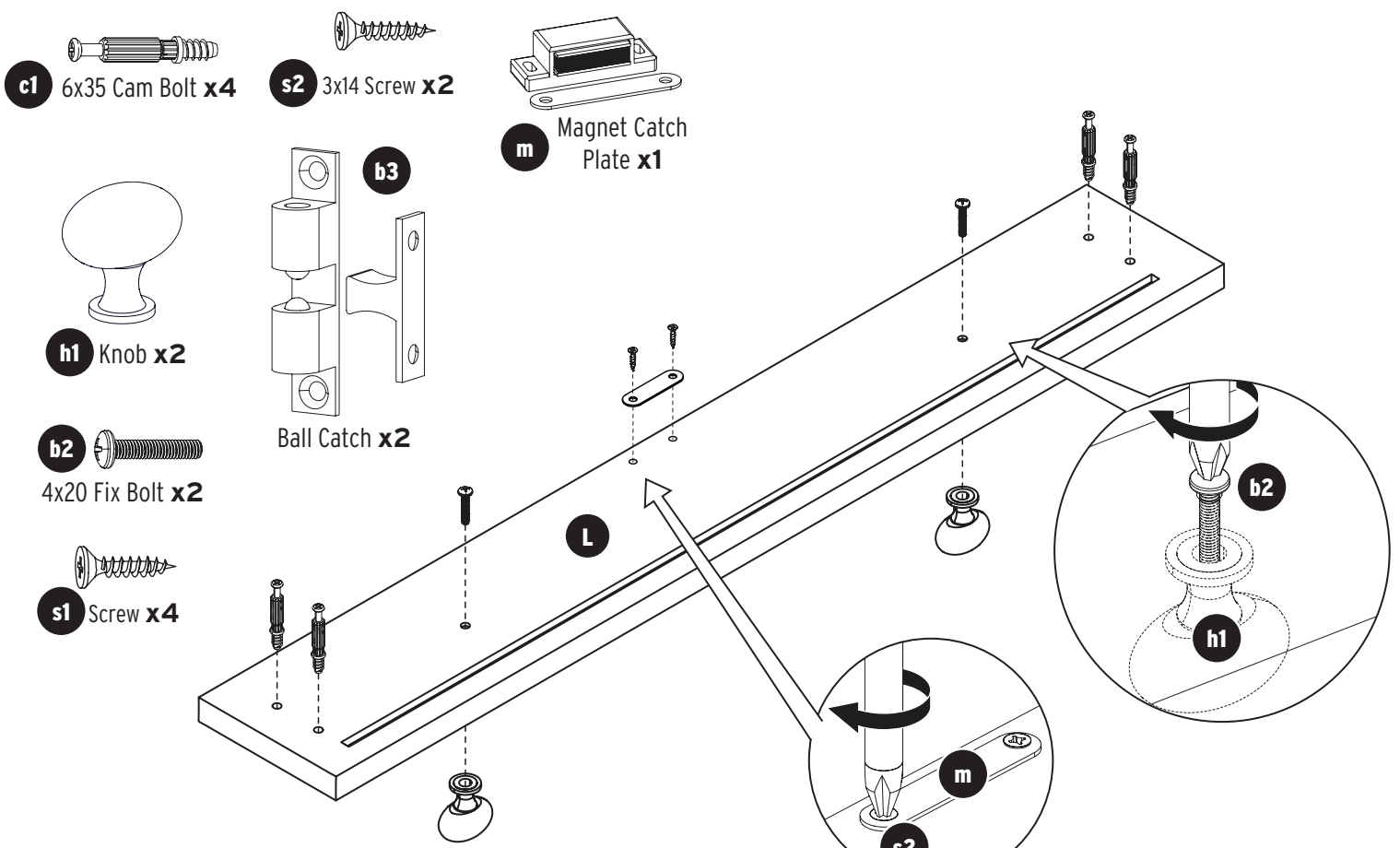
**s1**   
3.5x14 Screw **x18**



Extend Gate Leg **Panels 01 and 02**. Balance **Panel A1** on gate legs and attach **h1 Hinges** to Panel A (top) using **s1 Screws**.

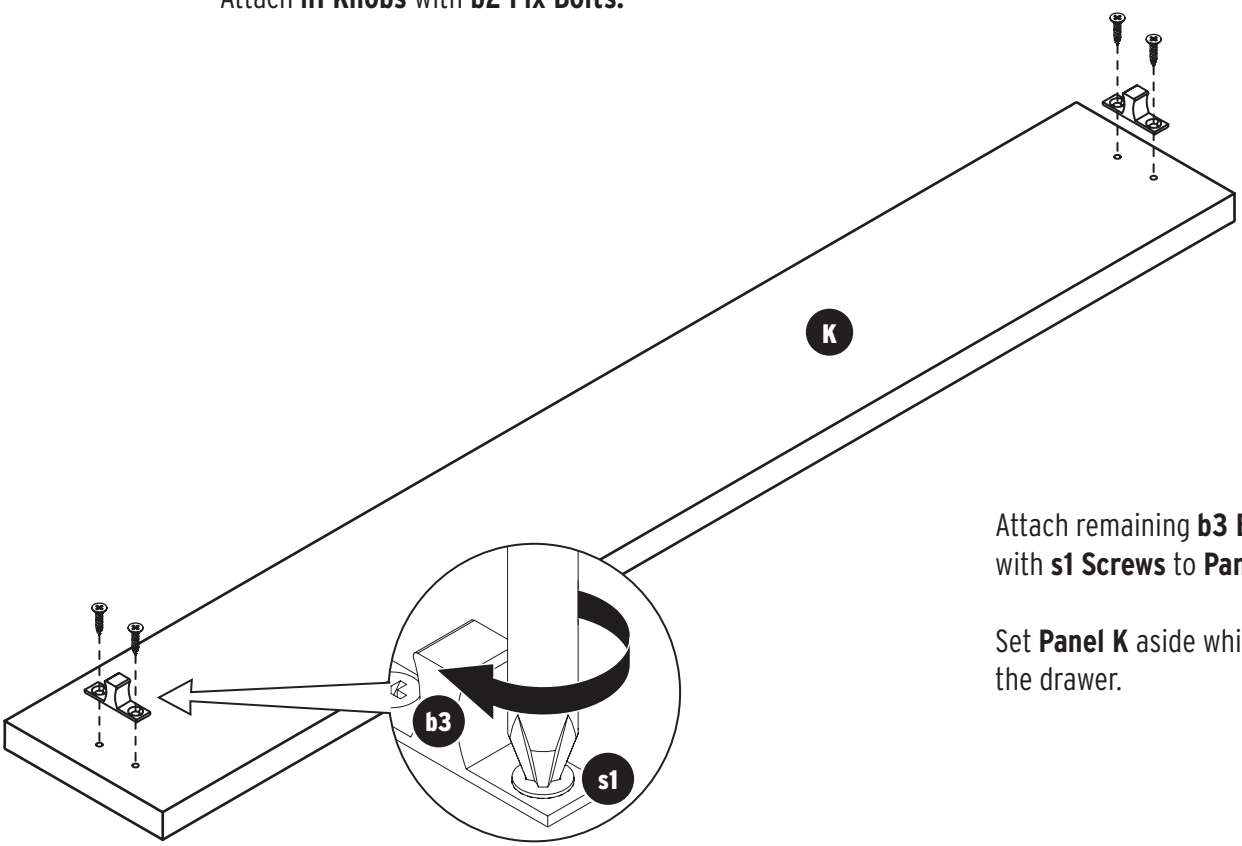
Extend Support **Panels 03 and 04**. Balance **Panel A5** on support panels and attach **h1 Hinges** to Panel A (top) using **s1 Screws**.

# Part 4: Drawer Unit and Front Panel



- c1** 6x35 Cam Bolt **x4**
- s2** 3x14 Screw **x2**
- m** Magnet Catch Plate **x1**
- h1** Knob **x2**
- b2** 4x20 Fix Bolt **x2**
- s1** Screw **x4**

Attach **c1** Cam Bolts to **Panel L**.  
 Attach **m** Magnet Catch Plate with **s2** Screws.  
 Attach **h1** Knobs with **b2** Fix Bolts.



Attach remaining **b3** Ball Catch parts with **s1** Screws to **Panel K**.  
 Set **Panel K** aside while you assemble the drawer.

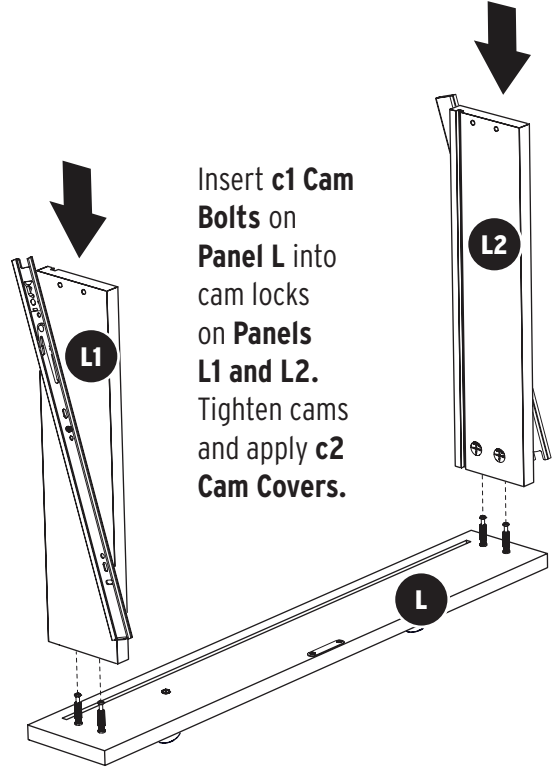
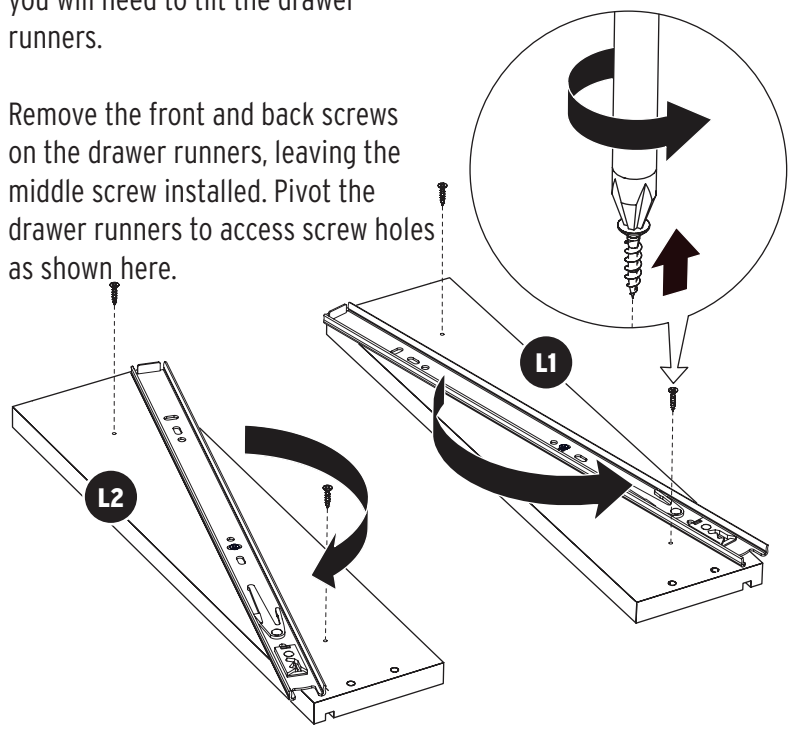
# Part 4: Drawer Unit and Front Panel



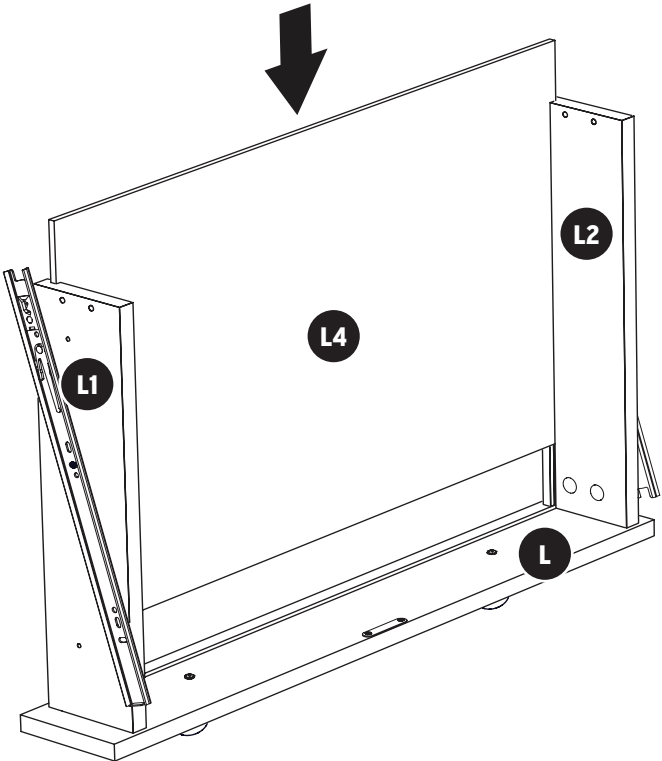
5/8" Cam Cover x4

To reach the pre-drilled screw holes on the sides of **Panels L1 and L2**, you will need to tilt the drawer runners.

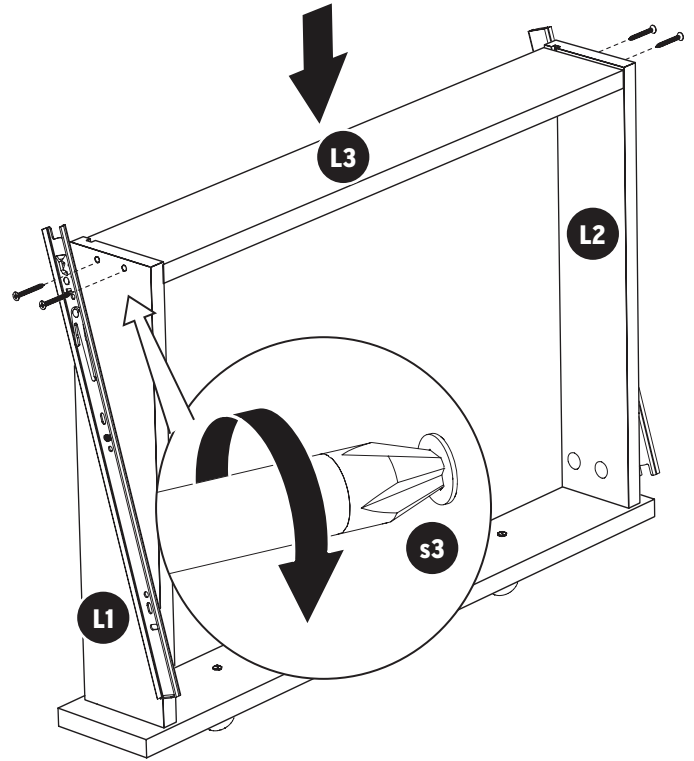
Remove the front and back screws on the drawer runners, leaving the middle screw installed. Pivot the drawer runners to access screw holes as shown here.



Insert **c1 Cam Bolts** on **Panel L** into cam locks on **Panels L1 and L2**. Tighten cams and apply **c2 Cam Covers**.



Slide **Panel L4** into grooves on **Panels L, L1 and L2**.



Connect **Panel L3** to **Panels L1 and L2** using **s3 Screws**.

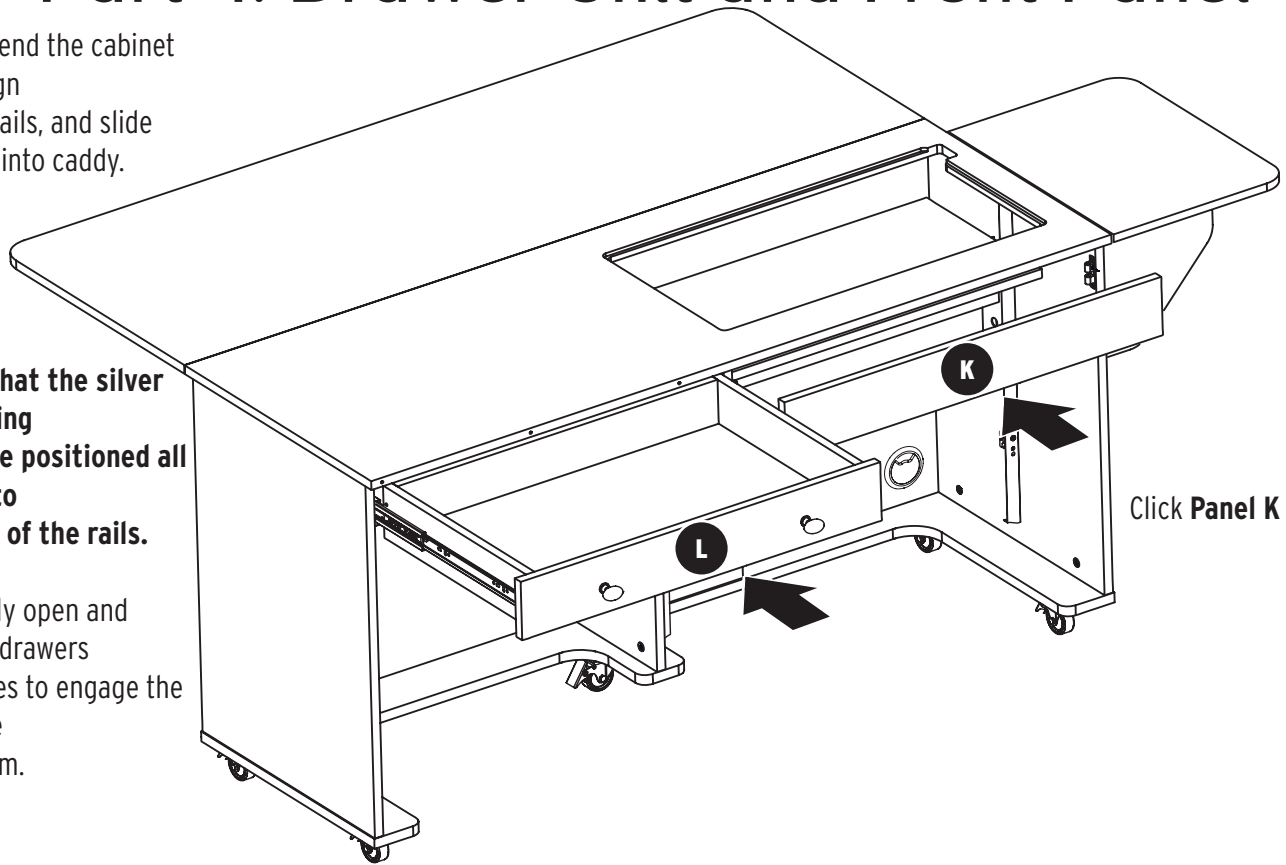


# Part 4: Drawer Unit and Front Panel

Fully extend the cabinet rails, align drawer rails, and slide drawers into caddy.

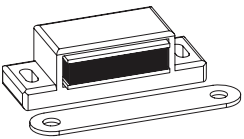
Be sure that the silver ball bearing pieces are positioned all the way to the front of the rails.

**TIP:** Gently open and close the drawers a few times to engage the Soft Close mechanism.



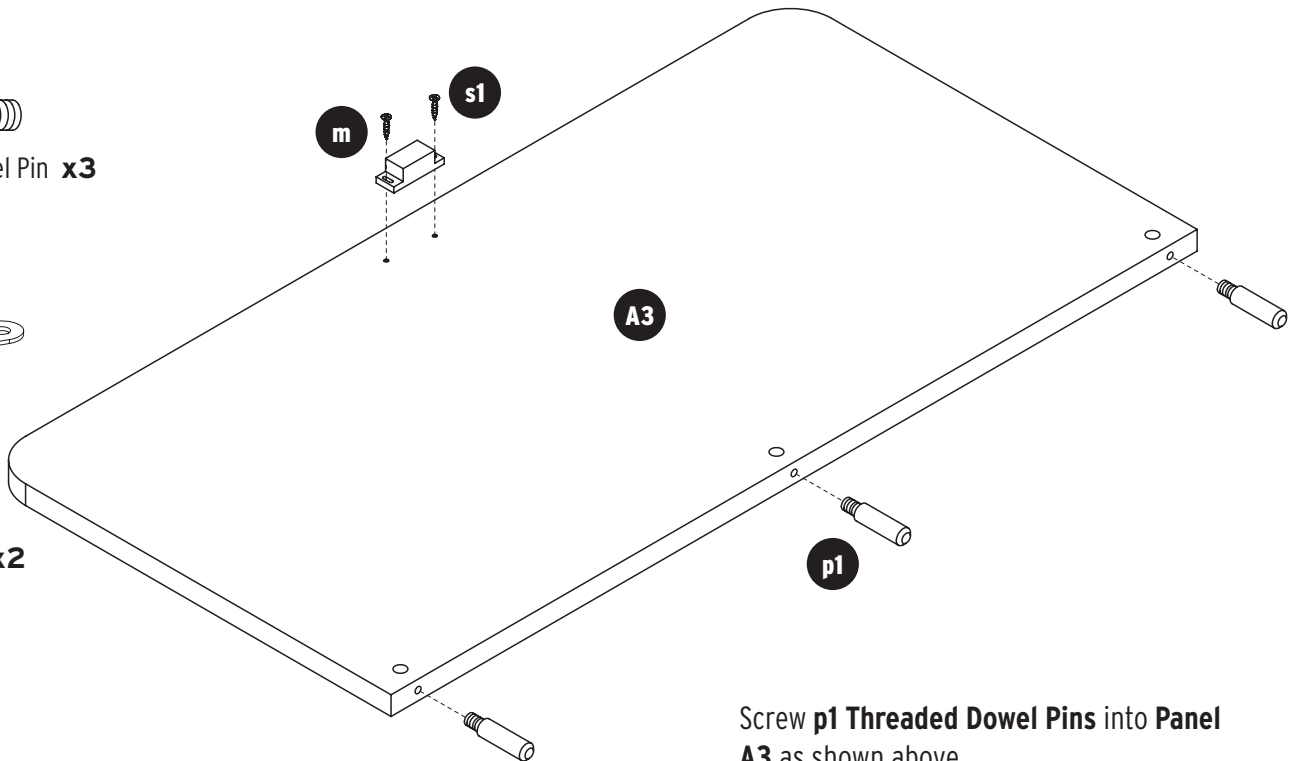
Click **Panel K** into place.

**p1** Threaded Dowel Pin **x3**



**m** Magnet **x1**

**s1** 3.5x14 Screw **x2**

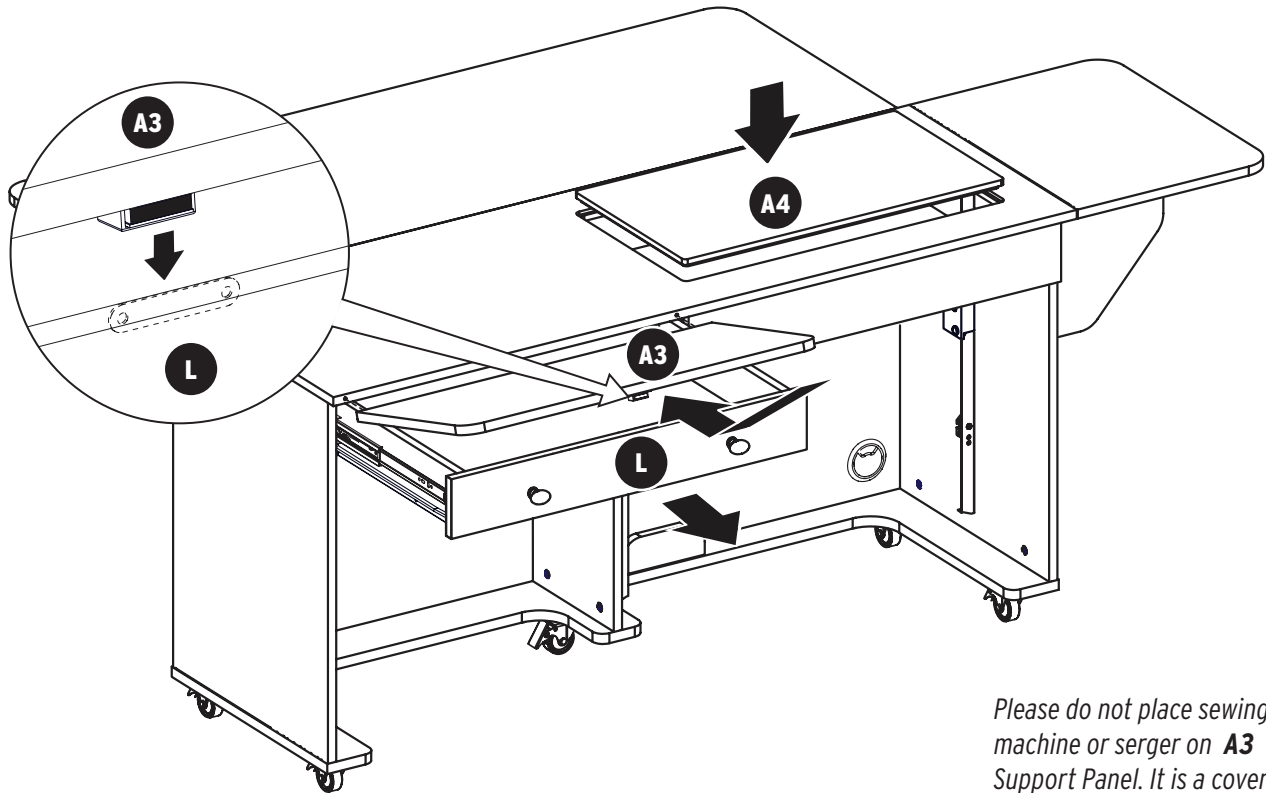


Screw **p1** Threaded Dowel Pins into **Panel A3** as shown above.

Using **s1** Screws, attach **m** Magnet to **Panel A3** as illustrated.

# Part 4: Drawer Unit and Front Panel

Slide **Panel A3** into place, inserting threaded dowel pins into pre-drilled holes and clicking magnet into place.



*Please do not place sewing machine or serger on **A3** Support Panel. It is a cover panel only.*

# Part 5: Electric Lift Cord Management

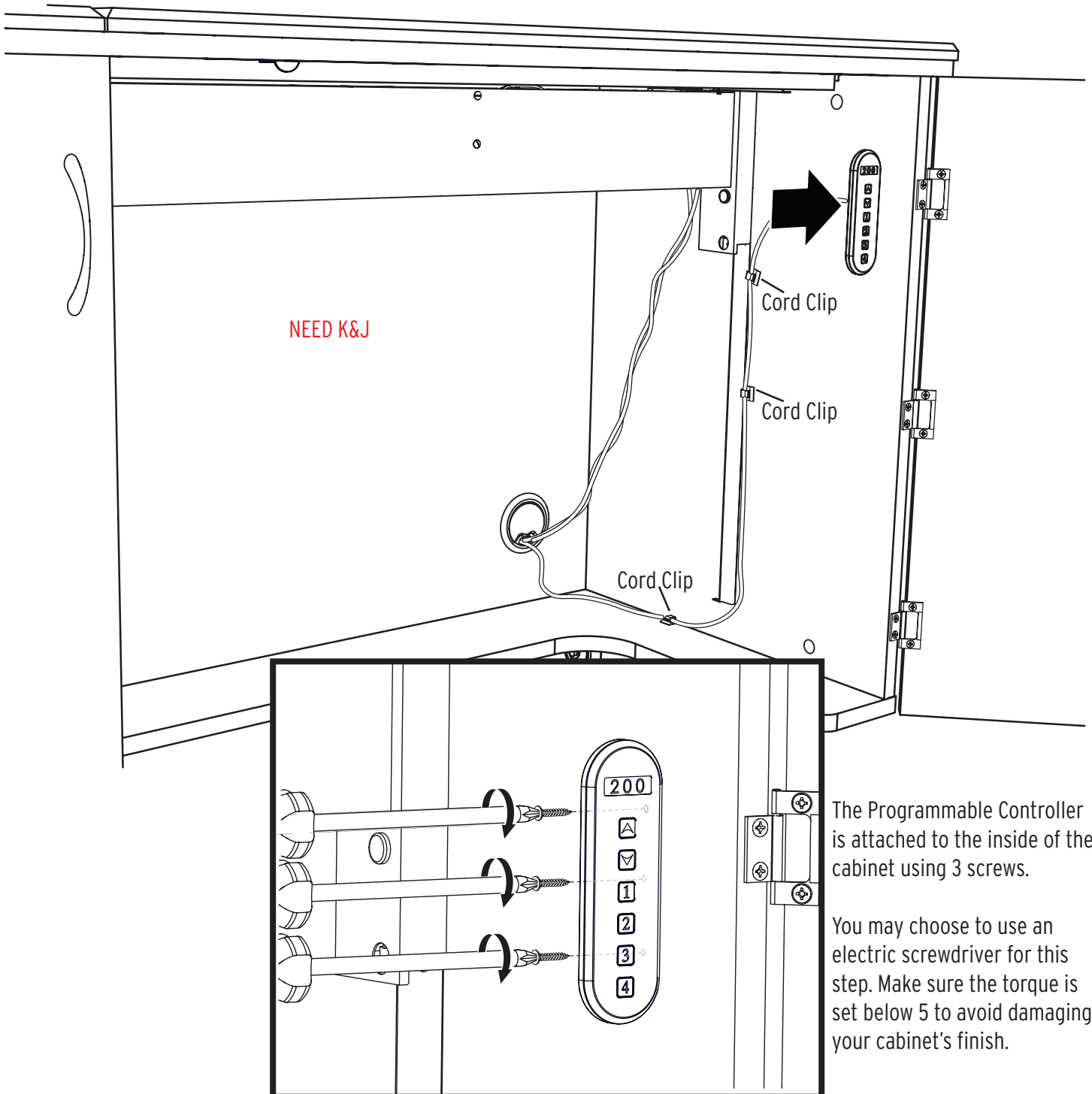
To control the cords coming from your electric lift, twist them together and feed them through the cord port in your cabinet's lower right back corner. DO NOT USE Cord Clips on the cords coming from the Electric Lift.

Attach the Programmable Controller with the screws provided. Scan this QR code for a printable template:



**OPTIONAL:** You may use Cord Clips on the wire coming from the Programmable Controller, as shown below.

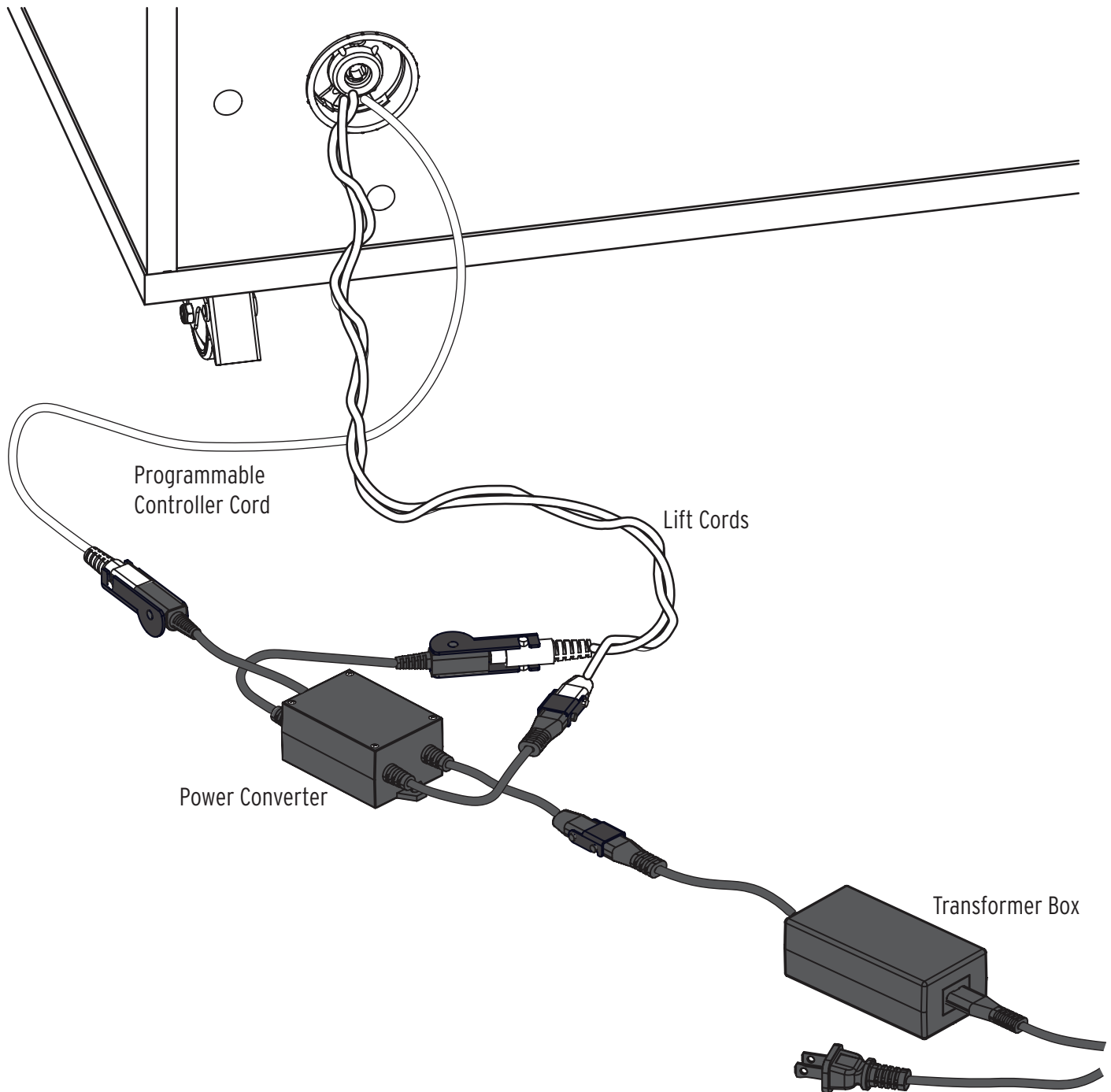
**NOTE:** When securing cords with Cord Clips, be careful to keep cords from crossing over the lift rails.



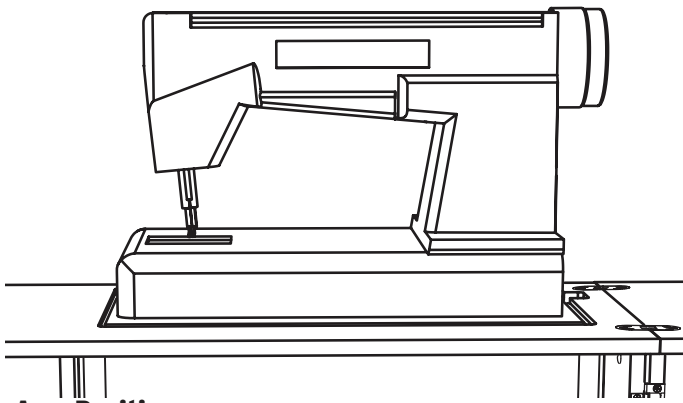
# Part 5: Electric Lift Cord Management

Carefully feed the twisted cords from the Electric Lift and the Programmable Controller through the Cord Port and plug them in to the Power Converter.

**NOTE:** Each cord and cord receptacle has a different pin pattern, making it easy to match the cords to the Power Converter.

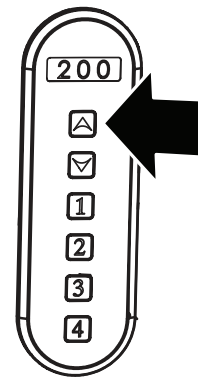


## Part 6: Electric Lift Positioning And Programming

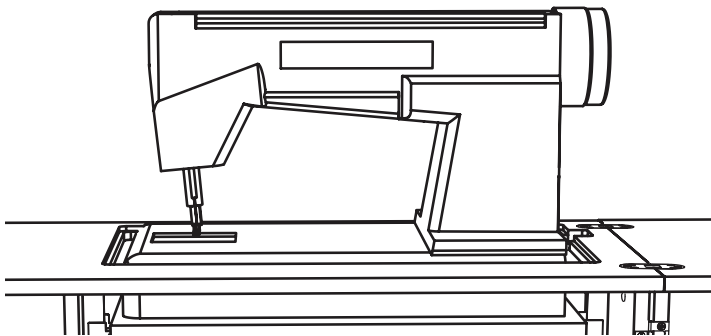


### Free Arm Position:

Also known as “tabletop sewing,” this is the favored sewing position to use for hems, cuffs, and other small, curved pieces.

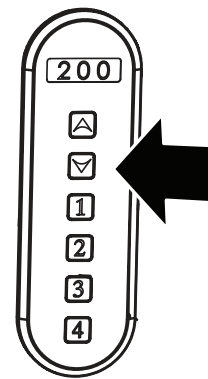


Press and hold the UP button on your controller to position your lift platform in the uppermost position. Press and hold the preset position of your choice for 5 seconds. Free Arm Position is now pre-set.

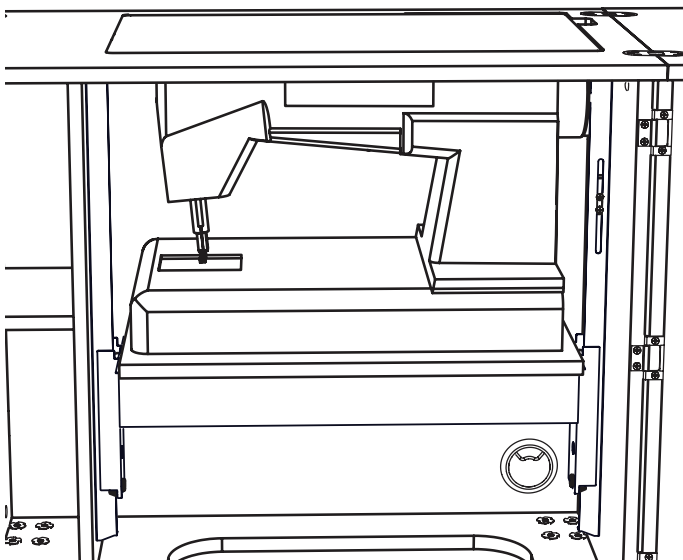


### Flatbed Position:

Flatbed Position is perfect for sewing larger, heavier projects and is the most comfortable way to sew. Add a custom acrylic insert for a custom fit to your specific machine and cabinet to experience a truly ergonomic sewing session.

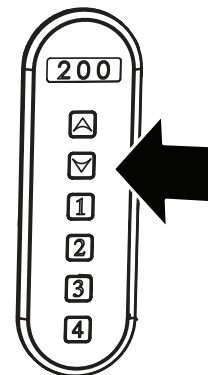


Press and hold the DOWN button on your controller until the throat plate on your machine is level with the tabletop. Press and hold the preset position of your choice for 5 seconds. Flat Bed Position is now pre-set.



### Storage Position:

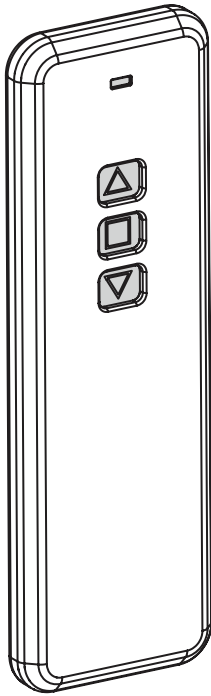
Your sewing machine is now safely stored in the belly of your sewing cabinet! If your cabinet includes a sewing well cover, you may place that over your sewing well and use your cabinet as a desk.



Press and hold the DOWN button on your controller until the platform is completely lowered. Press and hold the preset position of your choice for 5 seconds. Storage Position is now pre-set.

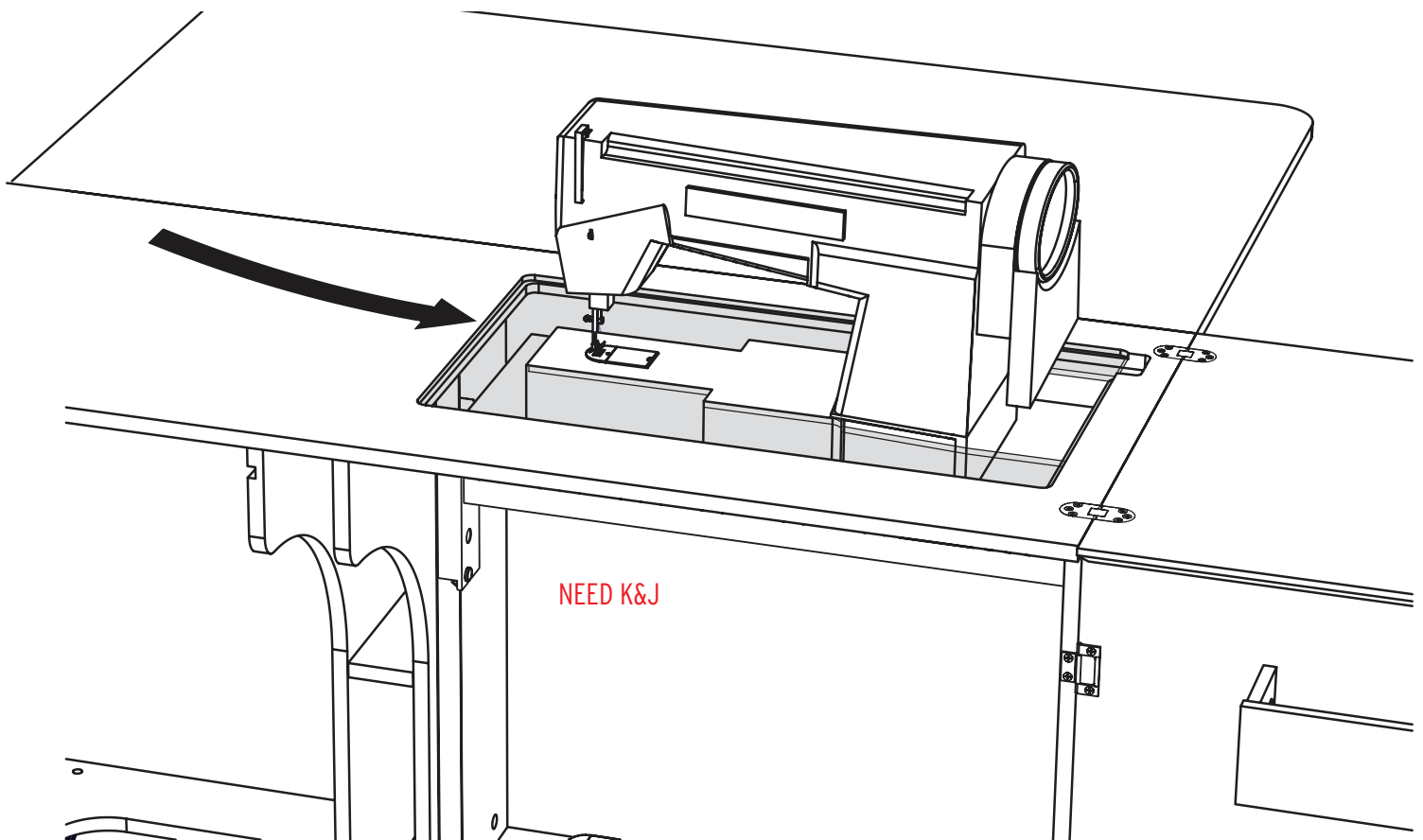
**NOTE:** Use your preset functions your own way! You can set Flatbed Position for multiple machines or preset positions for Storage or Free Arm positions. The choice is yours!

## Part 6: Electric Lift Positioning And Programming



Use your Remote Control to move your machine up and down from across the room! Press the UP or DOWN button to move the lift, and the center STOP button to stop.

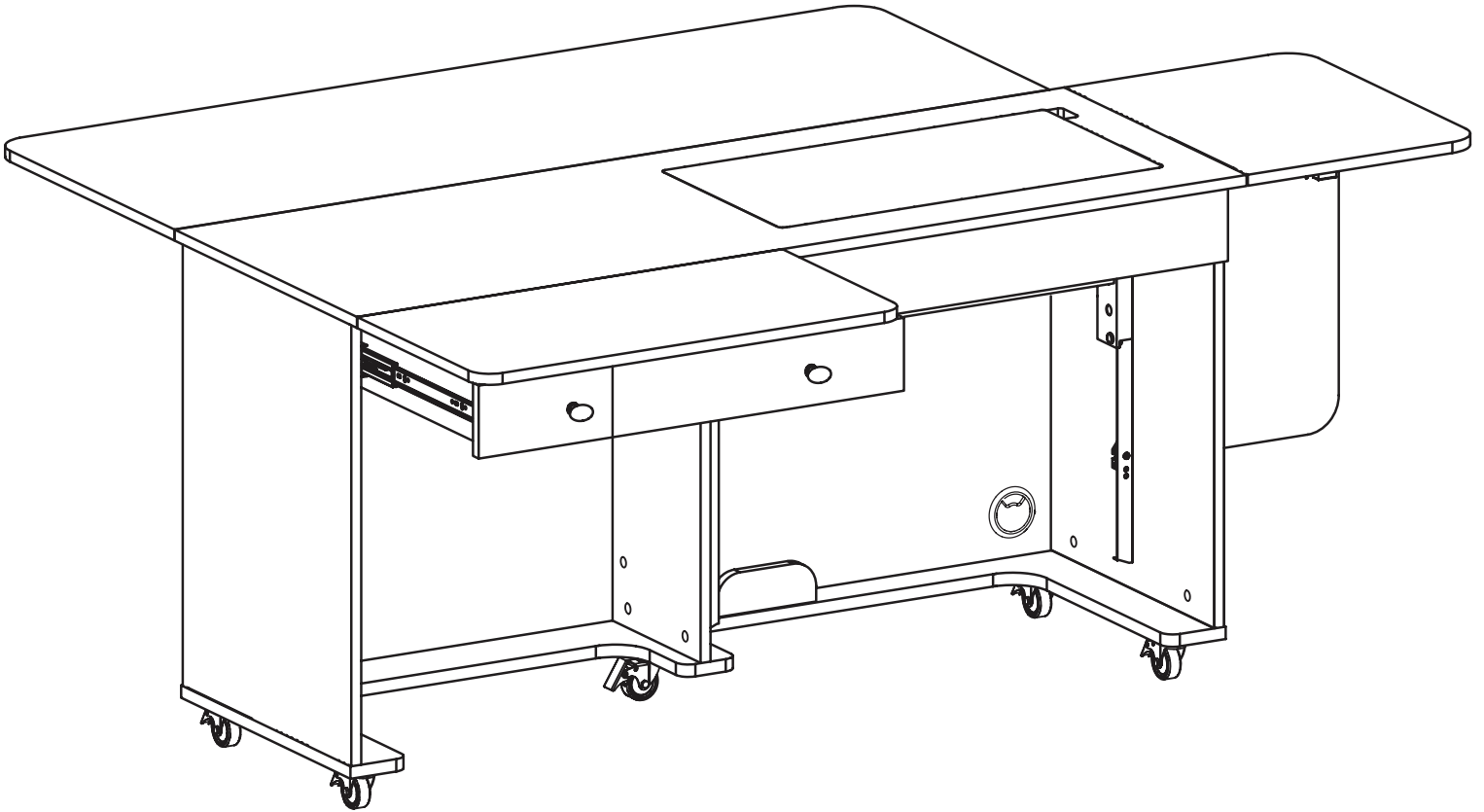
Using the control pad or the remote control, move the lift back into the flatbed position. Check to make sure that your machine is now sitting at the right height for comfortable, ergonomic flatbed sewing and adjust as necessary.



Place your Custom Acrylic Insert in the sewing well, fitting it around your machine. You now have a perfectly comfortable flat bed sewing cabinet! Say goodbye to hunched shoulders, tired wrists, and an aching back and hello to HAPPY SEWING!

To place an order for your own Custom Acrylic Insert, visit us online at [ArrowSewing.com](http://ArrowSewing.com), or contact Arrow Sewing Customer Service at 1-800-533-7347 ext 1 during normal business hours.

# Completed Kangaroo Cabinet



**Congratulations! A better sewing experience awaits!**



KANGAROO™  
sewing furniture

## LIMITED LIFETIME WARRANTY

### Kangaroo™ Sewing Furniture Limited Lifetime Warranty

**WHAT THIS WARRANTY COVERS:** Arrow Companies, LLC "Arrow" provides a Limited Lifetime Warranty "Warranty" to the original purchaser of this product against defects in materials or workmanship of furniture components. As used in this Warranty, "defect" means imperfections in components which substantially impair the utility of the product. This Warranty gives you specific legal rights, and you may also have other rights which vary from state to state. Electrical and mechanical components of furniture are warranted for 5 years.

**HOW TO GET SERVICE:** Simply contact Arrow at 1-800-533-7347 or CS@ArrowSewing.com. When you request Warranty service, you must also present proof of purchase documentation, which includes the date of purchase (detailed receipt), and photos of the product. Arrow will replace any defective part (at its sole option), excluding labor. Replacement parts will be warranted for only the remaining period of the original Warranty.

Replacement parts will be shipped freight prepaid on any initial Warranty claim during first year of Warranty only. Warranty applies only to defects confirmed by Arrow and will be replaced or repaired at Arrow's option. In the event parts are no longer available for a Warranty claim, customer may receive a brand new cabinet at a price equal to 60% off the MSRP of a current comparable model.

**WHAT'S NOT COVERED:** There is no Warranty coverage for defects or conditions that result from the failure to follow product assembly instructions, information or warnings, misuse or abuse, intentional damage, fire, flood, alteration or modification of the product, or use of the product in a manner inconsistent with its intended use, nor any condition resulting from incorrect or inadequate maintenance, cleaning, care, or neglect, cuts or scratches, caster damage as a result of moving furniture fully loaded or with locked casters, damage resulting from electrical surge or lightning, or use in commercial or education environments. Kangaroo Sewing Furniture is designed for residential use only.

ARROW SHALL HAVE NO LIABILITY for ANY INCIDENTAL OR CONSEQUENTIAL DAMAGES OF ANY KIND and all such damages are EXCLUDED FROM THIS Warranty, such as loss of use, disassembly, transportation, labor, or damage to property on or near the product. Some states do not allow the exclusion or limitation of incidental or consequential damages, so the above limitation or exclusion may not apply to you. The Warranty cannot be transferred to subsequent owners or users of the product, and it shall be immediately void in the event the product is resold, transferred, leased or rented to any third party or person other than the original purchaser.

**ADDITIONAL LIMITATIONS:** THERE ARE NO OTHER WARRANTIES APPLICABLE TO THIS PRODUCT. Under the laws of certain states, there may be no implied warranties from Arrow and all implied warranties, INCLUDING ANY IMPLIED Warranty OF MERCHANTABILITY OR FITNESS FOR A PARTICULAR PURPOSE are disclaimed where allowed by law. TO THE EXTENT ANY IMPLIED WARRANTIES ARE APPLICABLE, ANY IMPLIED WARRANTIES, INCLUDING ANY IMPLIED Warranty OF MERCHANTABILITY OR FITNESS FOR A PARTICULAR PURPOSE, ARE LIMITED IN DURATION TO THE DURATION OF THIS EXPRESS Warranty or the minimum period allowed by law, whichever is shorter. Some states do not allow limitations on how long an implied Warranty lasts, so the above limitation may not apply to you. This limited Warranty gives you specific legal rights. This limited Warranty does not, in any way, affect the rights given to you by law.

**REGISTER YOUR PRODUCT:** Original purchaser should register the purchase online at [www.ArrowSewing.com/Warranty](http://www.ArrowSewing.com/Warranty).

SEW IN COMFORT. SEW LONGER.™

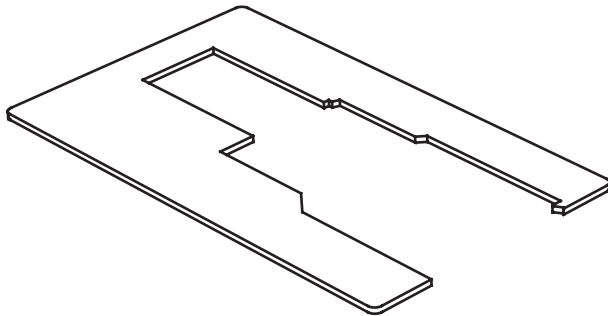




## Accessories to Complete Your Sewing Studio

### Custom Insert

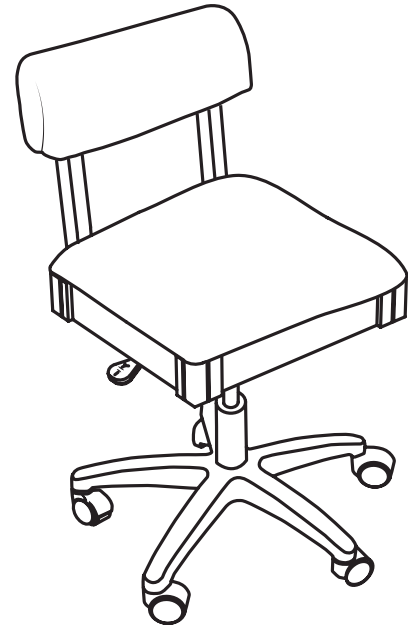
Enhance your sewing experience with a custom acrylic sewing insert! Custom acrylic sewing inserts are designed to fill the gap between your sewing machine and sewing cabinet's lift opening to create a flush, ergonomic surface for flat bed sewing. To ensure a perfect fit, custom acrylic sewing inserts are built specifically for your sewing machine and sewing cabinet combination. Say hello to happy wrists, straighter stitches, and an elevated sewing experience!



Insert

### Arrow Sewing Chairs

Arrow's #1 Rated Height Adjustable Sewing Chair is a must have accessory for your dream sewing room! Cute, comfortable and convenient - our lovable sewing chairs feature vibrant sewing themed patterns, 360 swivel access and lumbar support for long hours at your workstation. Don't look now, but under every seat cushion is a hidden storage compartment to store your notions and patterns! Available in 10 colors to perfectly match your sewing sanctuary!



Height Adjustable Sewing Chair

P.O. Box 410 Elkhorn, WI 53121  
1-800-533-7347 Ext. 1  
CS@ArrowSewing.com  
www.ArrowSewing.com

10-24