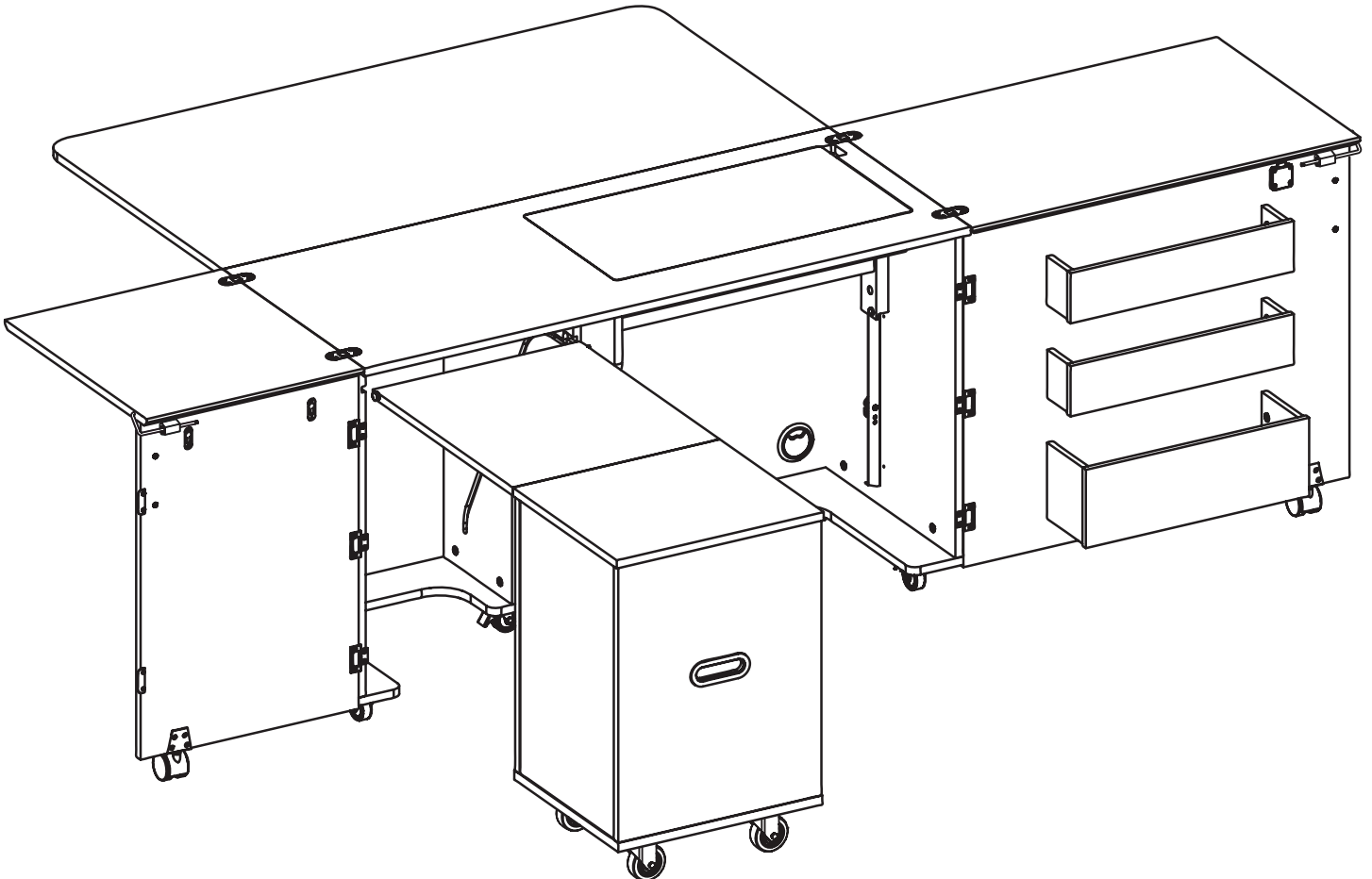




# ASSEMBLY INSTRUCTIONS

## Aussie

<b>ITEM NO.:</b>	K8605	Teak - Hydraulic
	K8611	Ash White - Hydraulic
	K8605EL	Teak - Electric
	K8611EL	Ash White - Electric



# General Assembly Guidelines

1. Read the instructions carefully before beginning the assembly process to ensure proper assembly of this product. Please open and inspect the contents of box(es) to see that all parts and hardware are included.

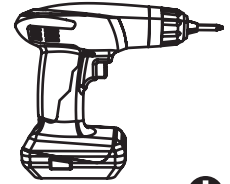
## 2. Tools Required



Phillips Screwdriver ⊕

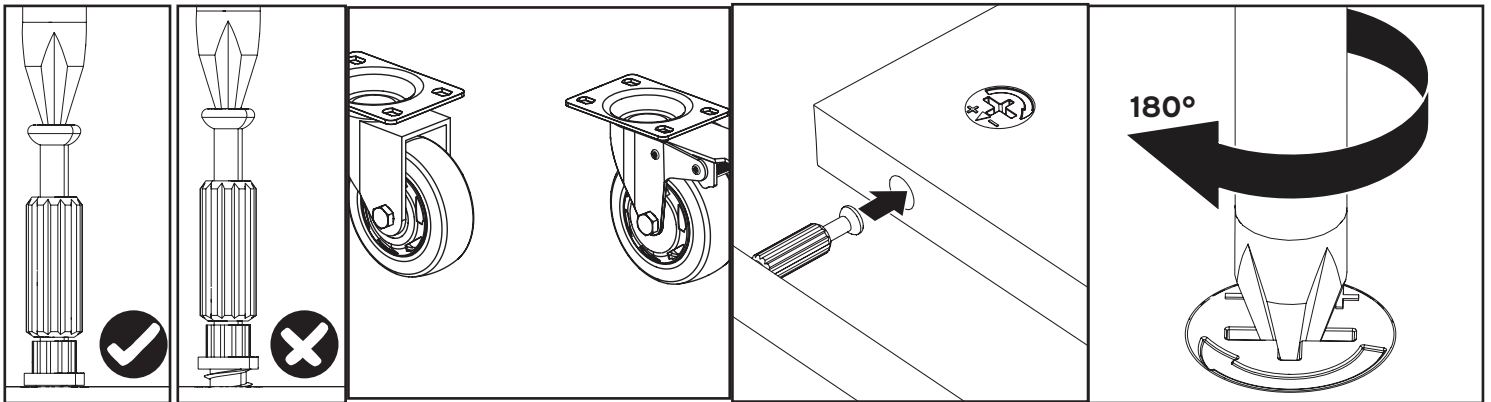


Hammer



Electric Screwdriver ⊕  
Torque set to 3-5

## 3. Understanding How the Cam Fastener Works



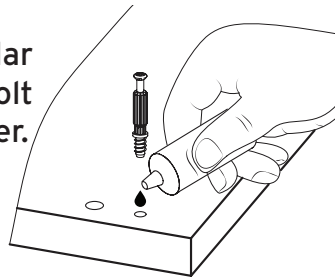
Screw cam bolts flush as illustrated.

Press cam into hole until flush with surface. The arrow direction must be in the direction of the hole.

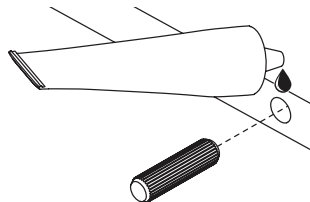
Insert bolt through pre-drilled hole in edge of panel.

Turn clockwise to lock cam with bolt.

**Tip:** place a small bit of WD-40 or similar lubricant into the pre-installed cam bolt holes to help the cam bolts screw in better.



4. **Glue** provided is to secure wood dowels in place and is optional. If glue is used during assembly, locate the appropriate hole for the dowel, place a small amount of glue in the hole and insert the dowel. Wipe away excess glue immediately. It is not necessary to glue the other end of the dowel when attaching to other parts.

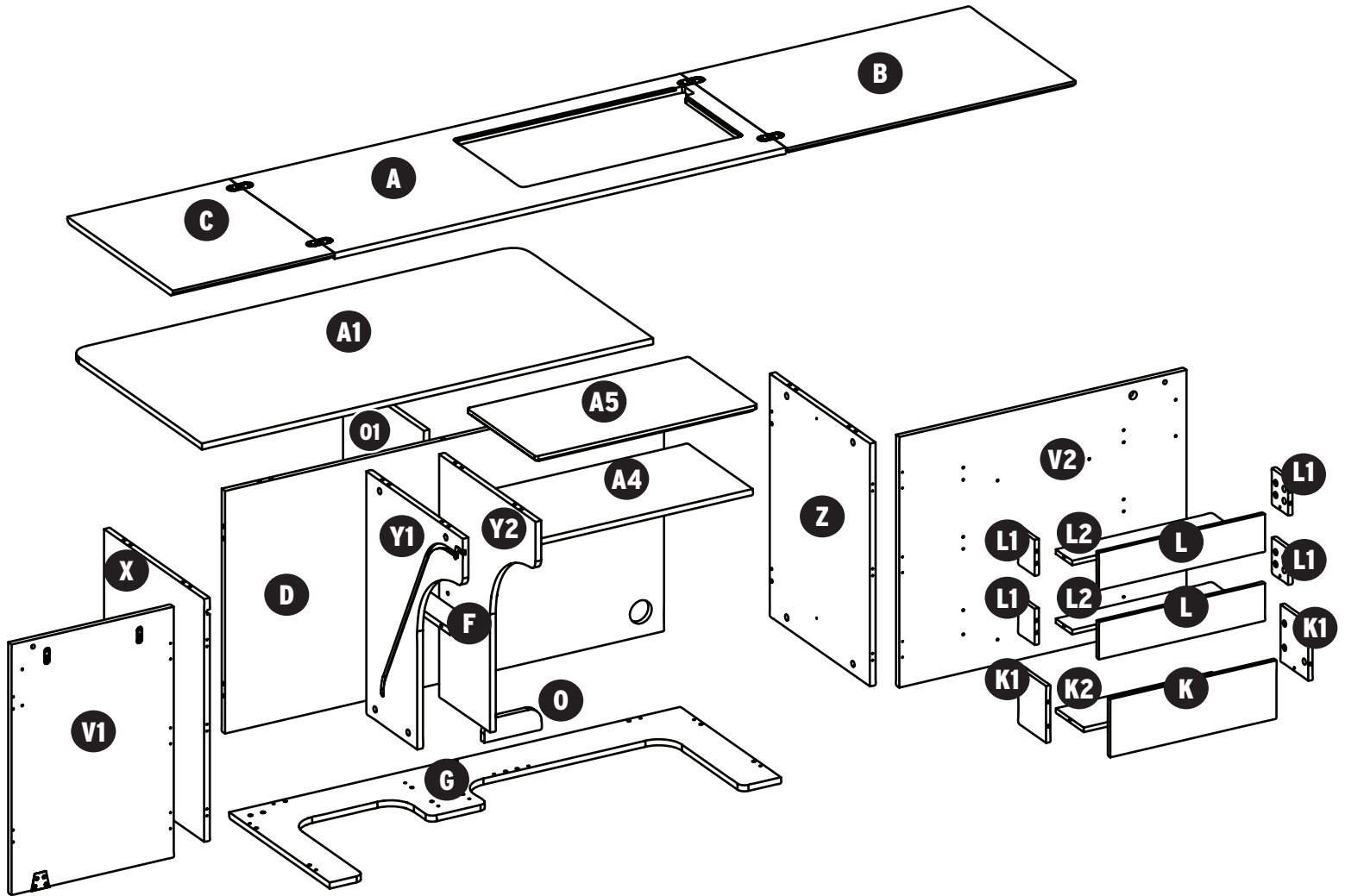


**Use and Care** Your cabinet normally requires a minimum amount of maintenance; however, the following points are worth noting:

**Cleaning** - To remove marks and enhance the surface, wipe with a gentle all-purpose cleanser. **DO NOT** use ammonia-based, harsh chemicals or abrasive cleaning agents. Wipe dry immediately.

**Electrical and Hydraulic Lifts** - Require annual lubrication with WD-40 or similar lubricant.

# Parts List: Panels



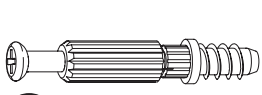
ITEM	DESCRIPTION	QTY	PACK.	ITEM	DESCRIPTION	QTY	PACK.
	Hardware & Caddy Panels*	1	1 of 5	<b>L</b>	Door Bin Front	2	3 of 5
<b>A1</b>	Quilt Extension Panel	1	2 of 5	<b>L1</b>	Door Bin Side	4	3 of 5
<b>D</b>	Back Panel	1	2 of 5	<b>L2</b>	Door Bin Bottom	2	3 of 5
<b>X</b>	Left Side Panel	1	2 of 5	<b>K</b>	Large Bin Front	1	3 of 5
<b>Z</b>	Right Side Panel	1	2 of 5	<b>K1</b>	Large Bin Side	2	3 of 5
<b>A4</b>	Platform	1	3 of 5	<b>K2</b>	Large Bin Bottom	1	3 of 5
<b>F</b>	Fixed Shelf	1	3 of 5	<b>A5</b>	Platform Cover	1	4 of 5
<b>V1</b>	Left Door Panel	1	3 of 5	<b>A</b>	Top Panel	1	4 of 5
<b>V2</b>	Right Door Panel	1	3 of 5	<b>B</b>	Right Leaf	1	4 of 5
<b>Y1</b>	Left Partition Panel	1	3 of 5	<b>C</b>	Left Leaf	1	4 of 5
<b>Y2</b>	Right Partition Panel	1	3 of 5	<b>G</b>	Bottom Panel	1	4 of 5
<b>O</b>	Insert Holder	1	3 of 5		Lift and Rails	1	5 of 5
<b>O1</b>	Gate Leg	1	3 of 5				

\*Instructions for assembling the Caddy begin on Page 23 of this manual.

# Parts List

**TIP: Keep all the parts in their individually labeled bags. This will make finding parts easier as you assemble your cabinet.**

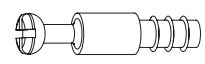
The hardware counts below **DO NOT** include hardware for the Caddy. If you would like to begin by building the Caddy, please turn to Page 31 of this manual.



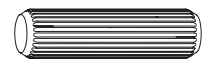
**c1** 6x35 Cam Bolt **x28**



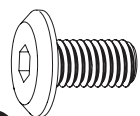
**c2** 5/8" Cam Cover **x70**



**c3** 6x25 Cam Bolt **x42**



**d1** 8x30 Dowel Pin **x30**



**b1** 8x16 Fix Bolt **x20**



**b2** 4x20 Fix Bolt **x4**



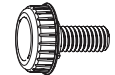
**s1** 3.5x14 Screw **x44**



**s2** 3x14 Screw **x30**



**s4** 3x20 Screw **x4**



**s5** Alignment Pin **x1**



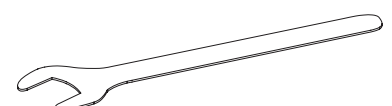
**a** Allen Wrench **x1**



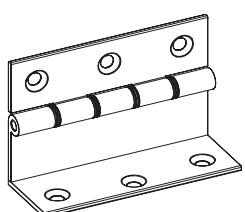
**h** Handle **x2**



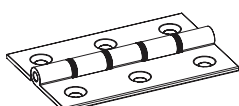
**d3** Door Plate **x2**



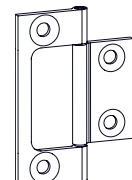
**r3** 14mm Wrench **x1**



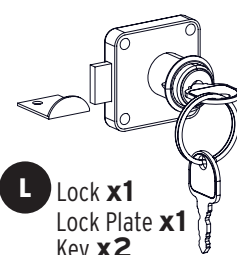
**h3** Flap Hinge **x3**



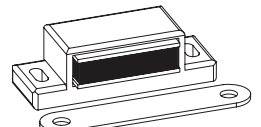
**h1** Butt Hinge **x2**



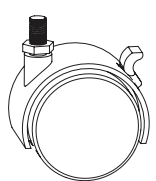
**h2** Flush Hinge **x6**



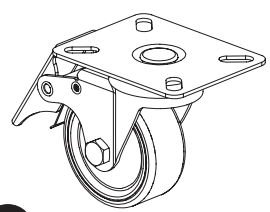
**L** Lock **x1**  
Lock Plate **x1**  
Key **x2**



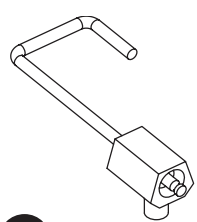
**m** Magnet **x1**  
Catch Plate **x1**



**t1** Caster **x3**




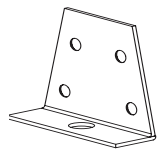
**t2** Locking Plate Caster **x5**

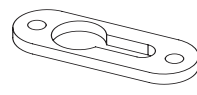


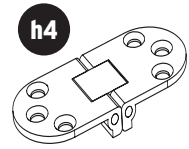
**d** Door Hook **x2**

**Pre-installed parts**

  
**c5**  
 Cam Lock

  
 Caster Bracket

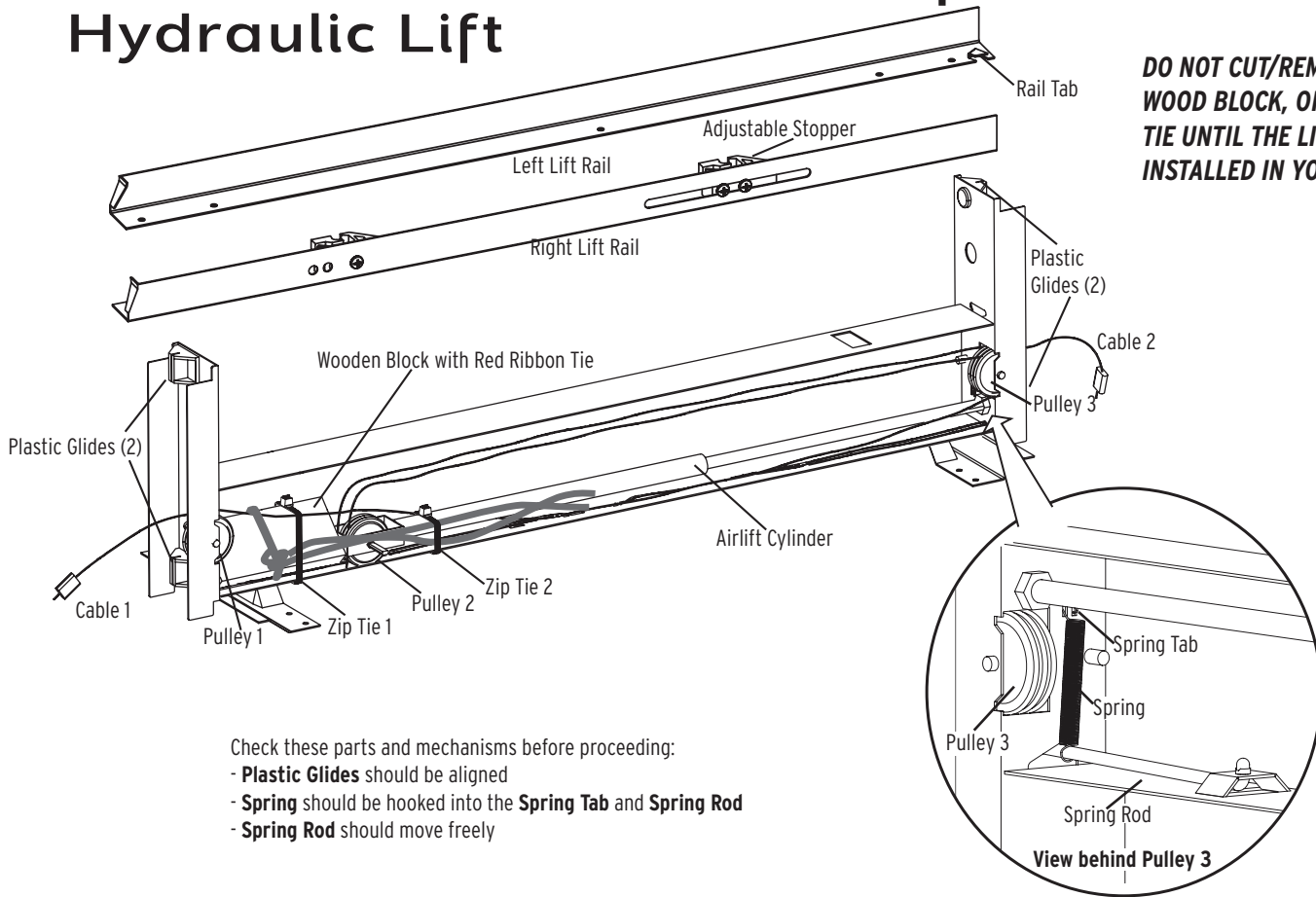
  
 Panel Connector

  
**h4**  
 Snag Free Hinge



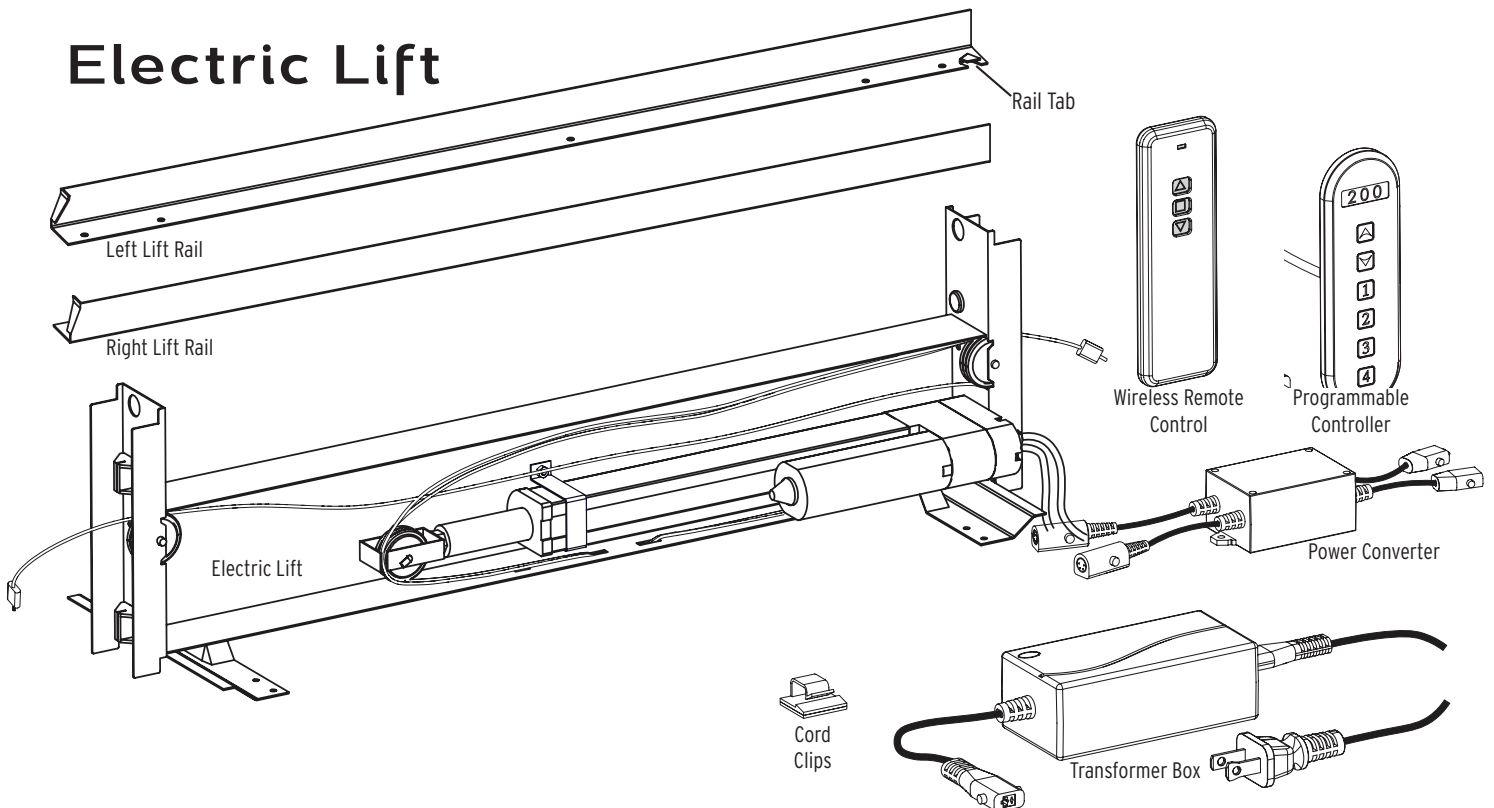
# Parts List: Lifts

## Hydraulic Lift



**DO NOT CUT/REMOVE ZIP TIES, WOOD BLOCK, OR RED RIBBON TIE UNTIL THE LIFT HAS BEEN INSTALLED IN YOUR CABINET.**

## Electric Lift

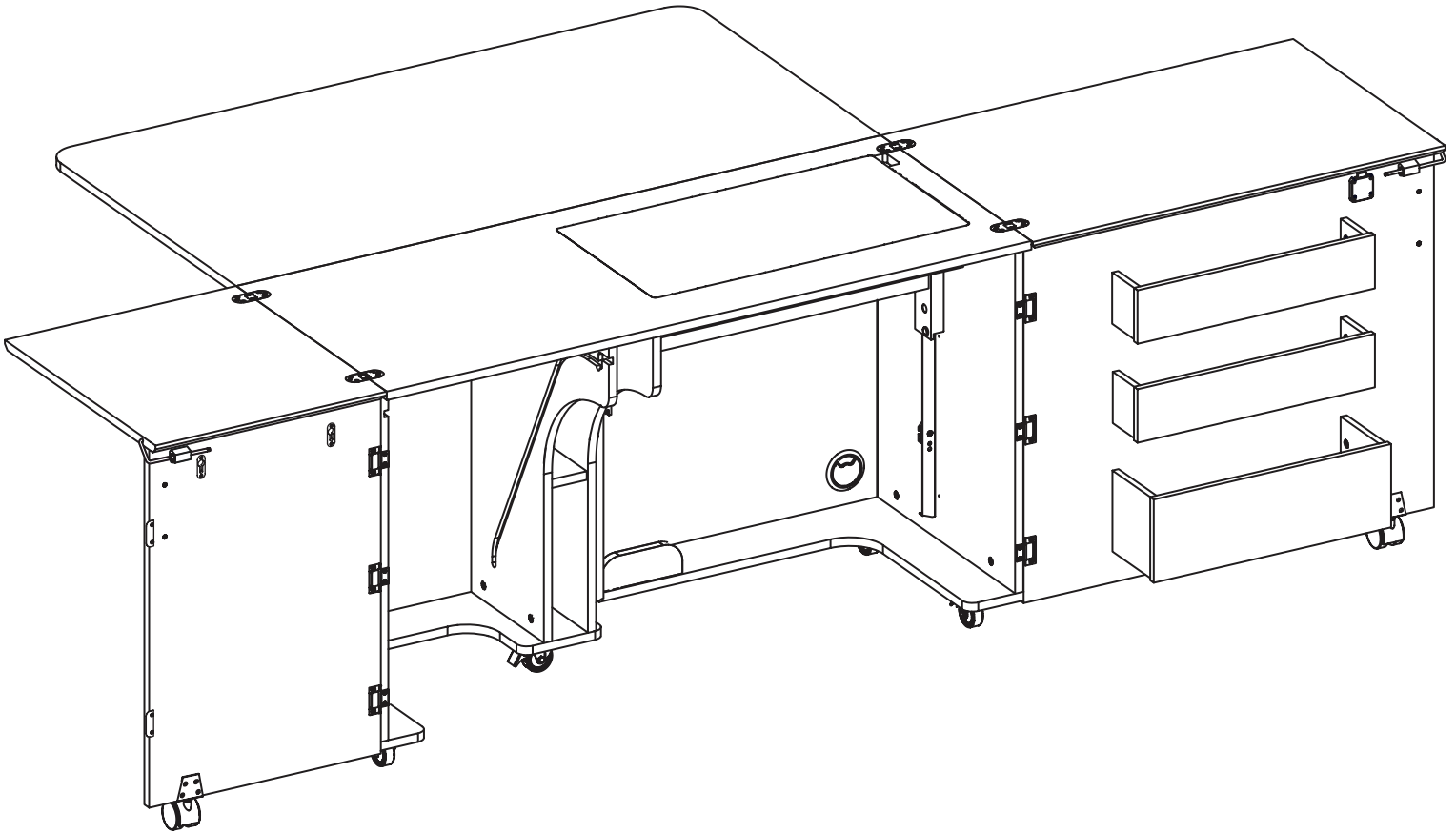


**NOTE:** Lift, Power Converter, Transformer Box and Programmable Controller arrive fully hooked up. You will need to disconnect all cords in order to install, and then re-engage cord connections once lift installation is complete.

# Part 1: Main Cabinet

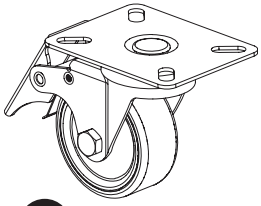
We can't wait to get your brand new Aussie Sewing Cabinet up and running! Please contact our Customer Service Team at 1-800-533-7347, ext. 1 during normal business hours with any assembly related questions.

Begin by unpacking Box 1. You will find all of the hardware necessary for this assembly project, along with panels for the construction of the Caddy. Unpack the hardware at this time and set Caddy panels aside. If you prefer to begin by building the Caddy, please turn to Page 31 of this manual.

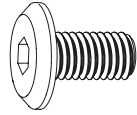


***Refer to the packing chart on Page 3 for panel locations.***

# Main Cabinet Step 1: Base



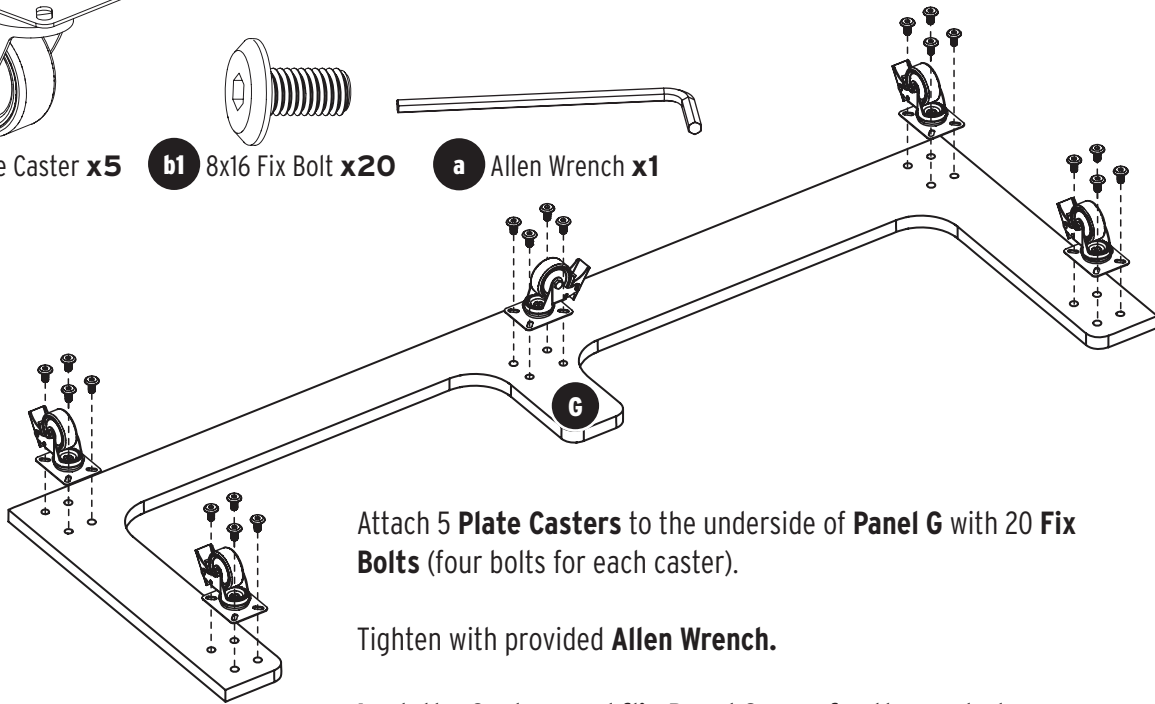
**t2** Plate Caster **x5**



**b1** 8x16 Fix Bolt **x20**



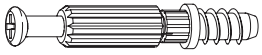
**a** Allen Wrench **x1**



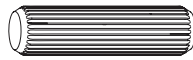
Attach 5 **Plate Casters** to the underside of **Panel G** with 20 **Fix Bolts** (four bolts for each caster).

Tighten with provided **Allen Wrench**.

**Lock the Casters and flip Panel G over for the next step**



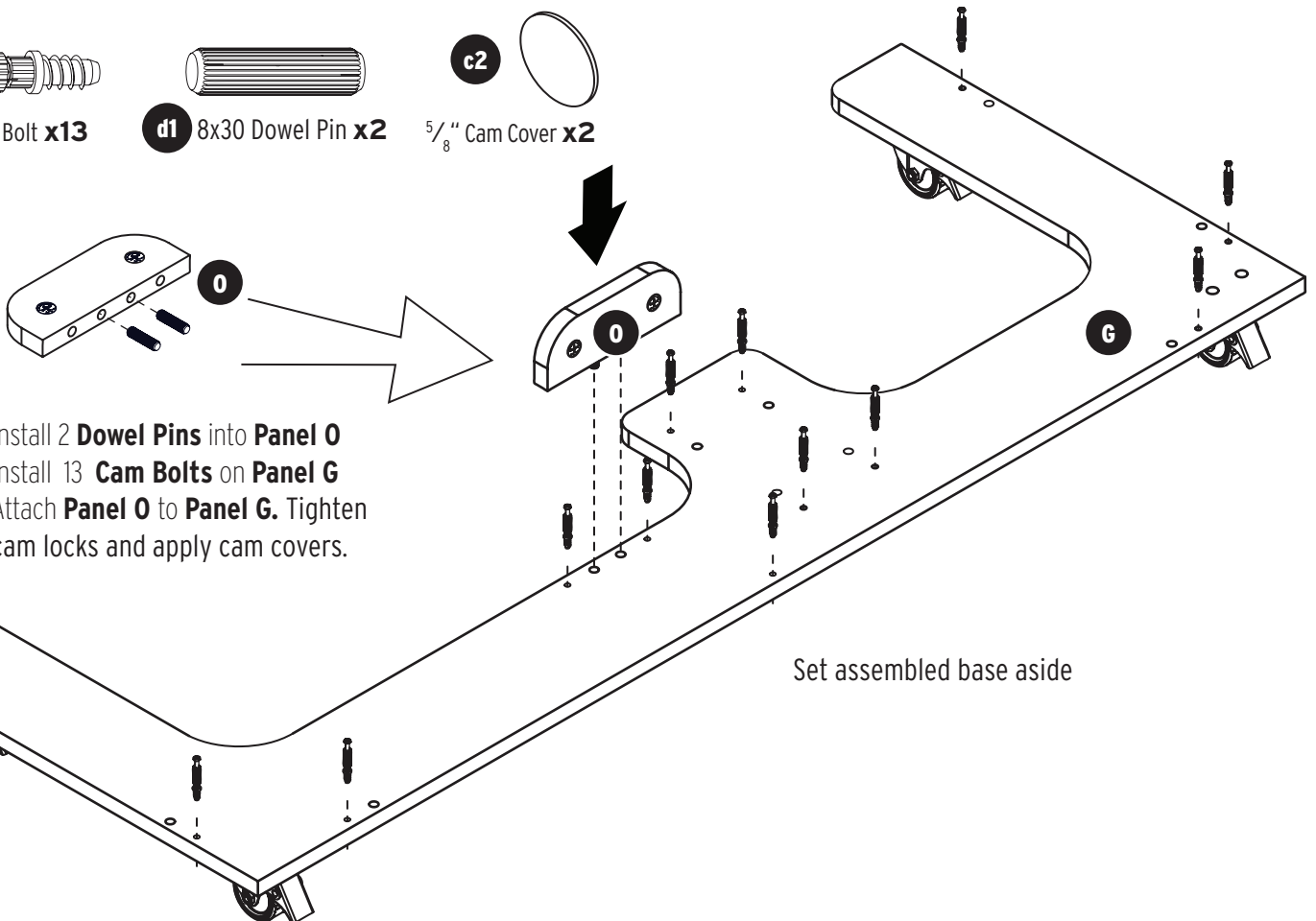
**c1** 6x35 Cam Bolt **x13**



**d1** 8x30 Dowel Pin **x2**



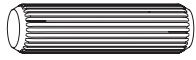
**c2**  $\frac{5}{8}$ " Cam Cover **x2**



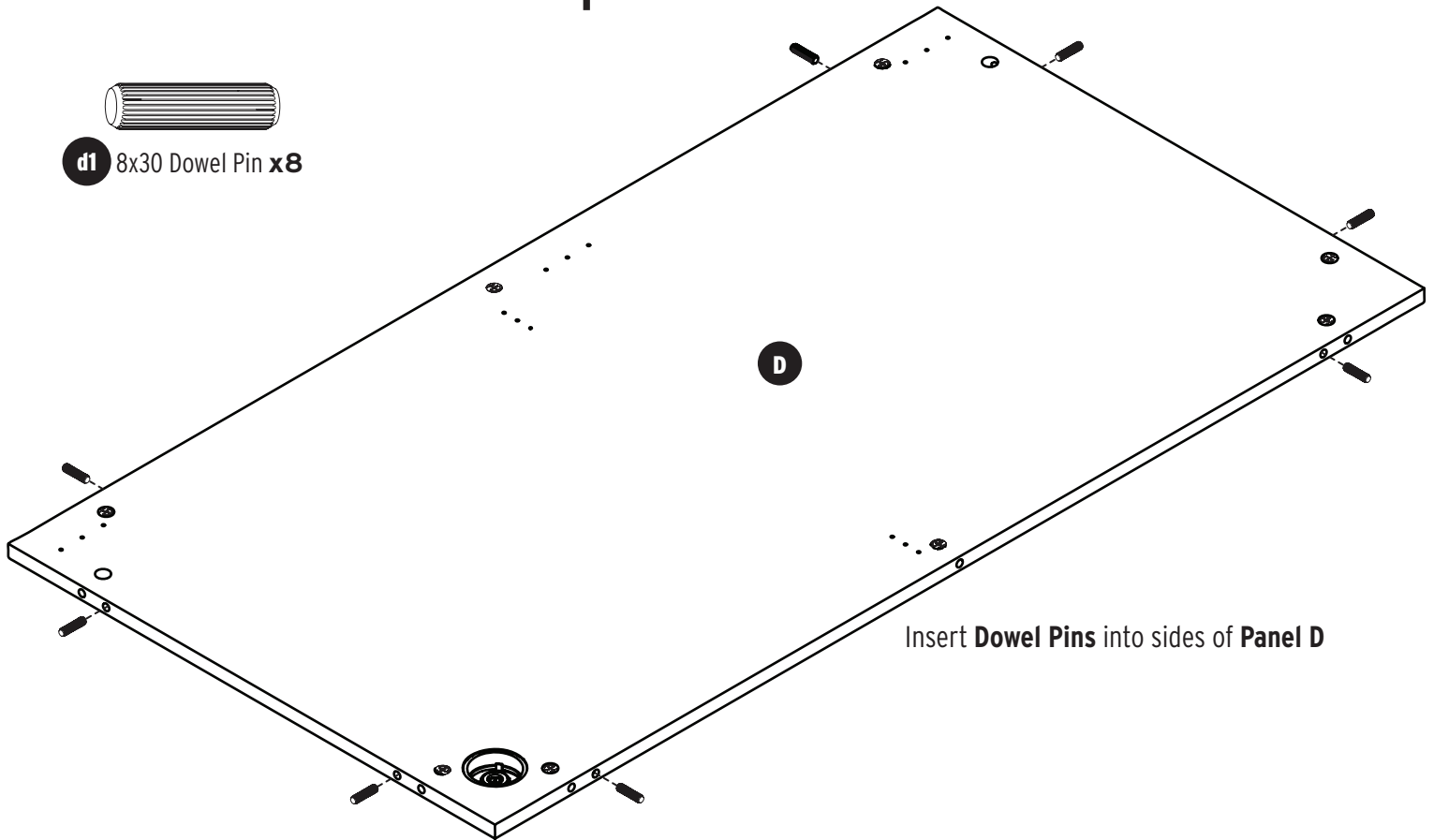
Install 2 **Dowel Pins** into **Panel O**  
Install 13 **Cam Bolts** on **Panel G**  
Attach **Panel O** to **Panel G**. Tighten  
cam locks and apply cam covers.

Set assembled base aside

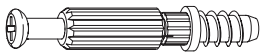
# Main Cabinet Step 2: Back and Side Panels



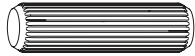
**d1** 8x30 Dowel Pin **x8**



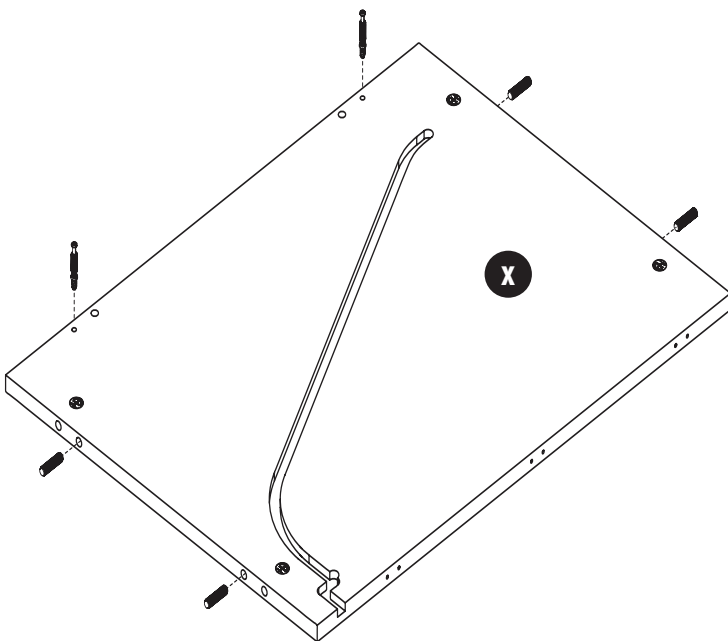
Insert **Dowel Pins** into sides of **Panel D**



**c1** 6x35 Cam Bolt **x4**

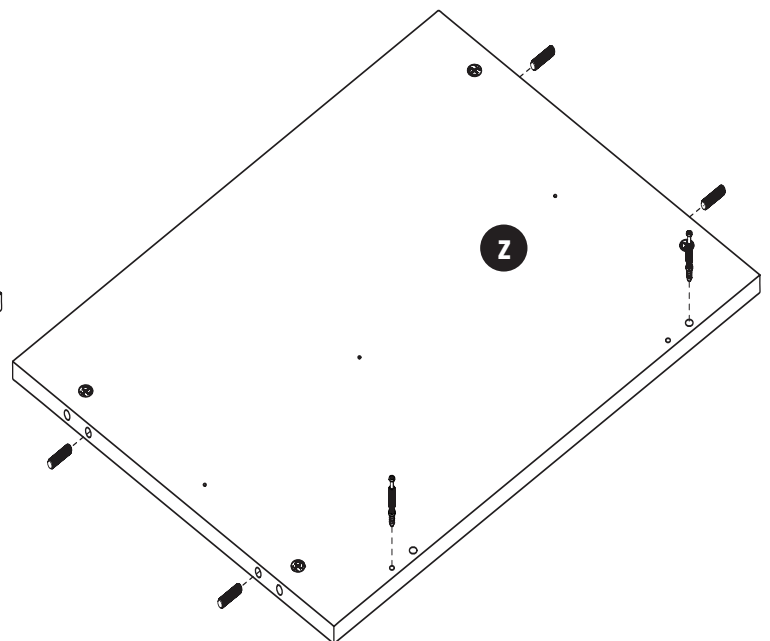


**d1** 8x30 Dowel Pin **x8**



Install 2 **Cam Bolts** in **Panel X**

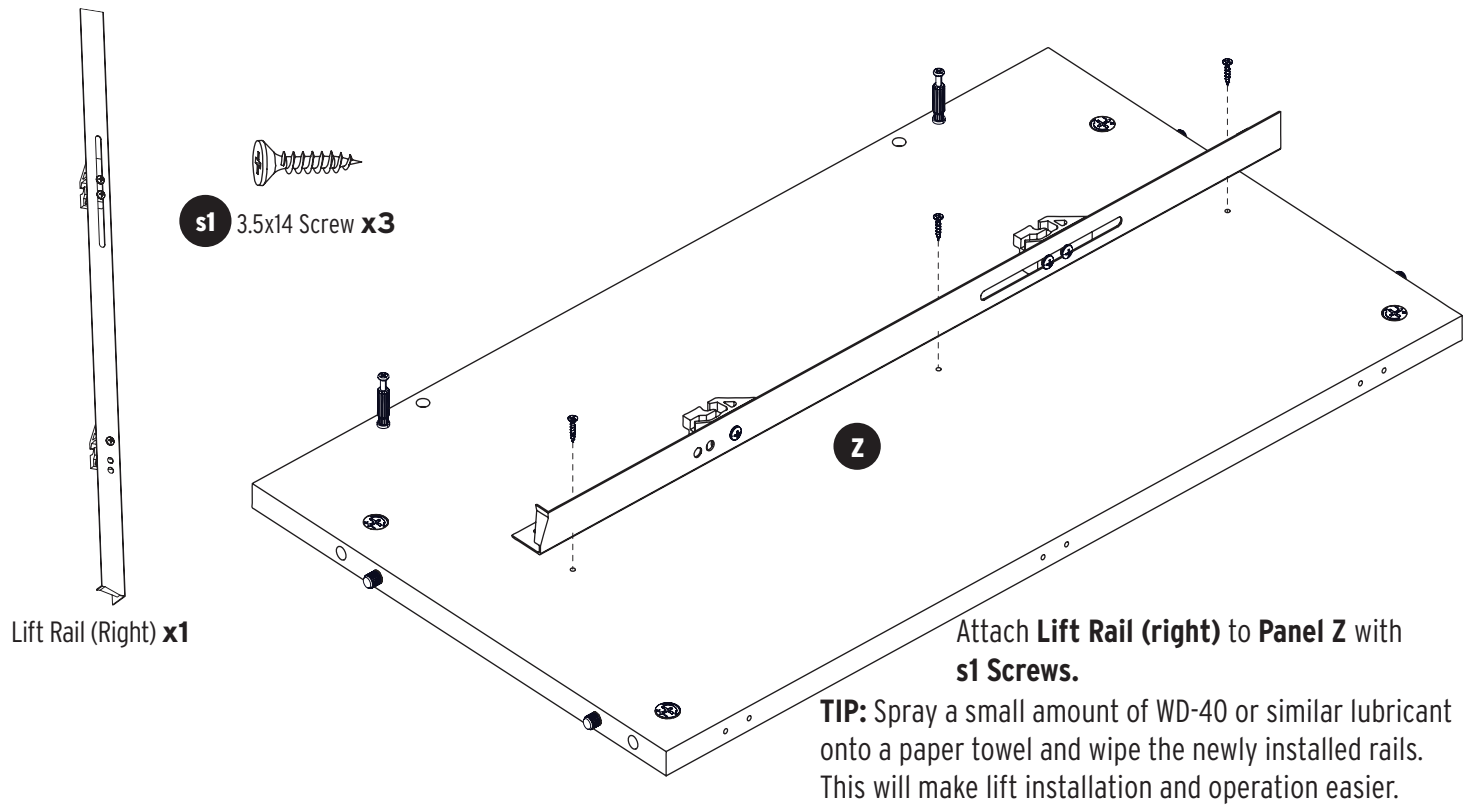
Insert 4 **Dowel Pins** in **Panel X**



Install 2 **Cam Bolts** in **Panel Z**

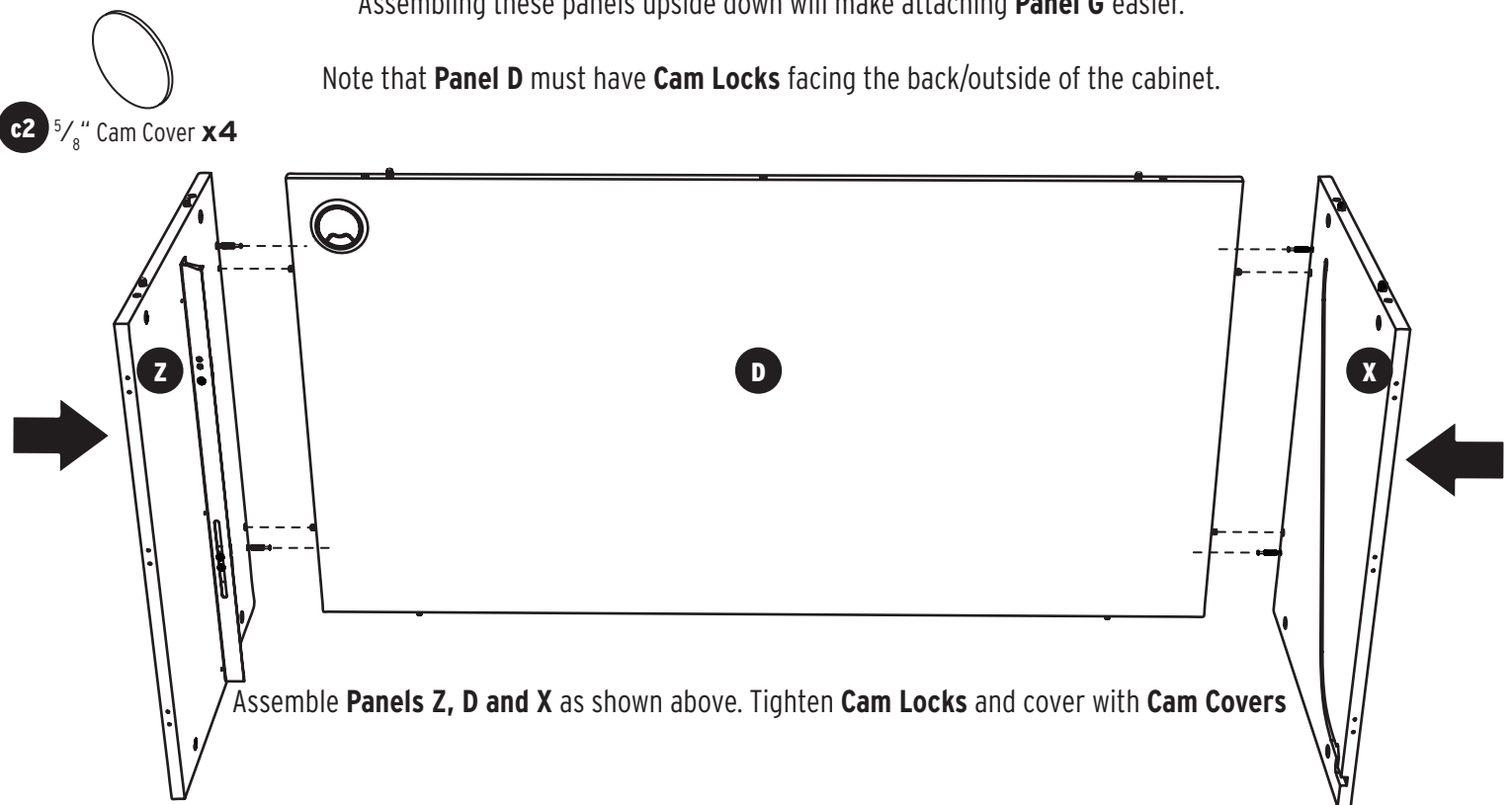
Insert 4 **Dowel Pins** in **Panel Z**

# Main Cabinet Step 2: Back and Side Panels



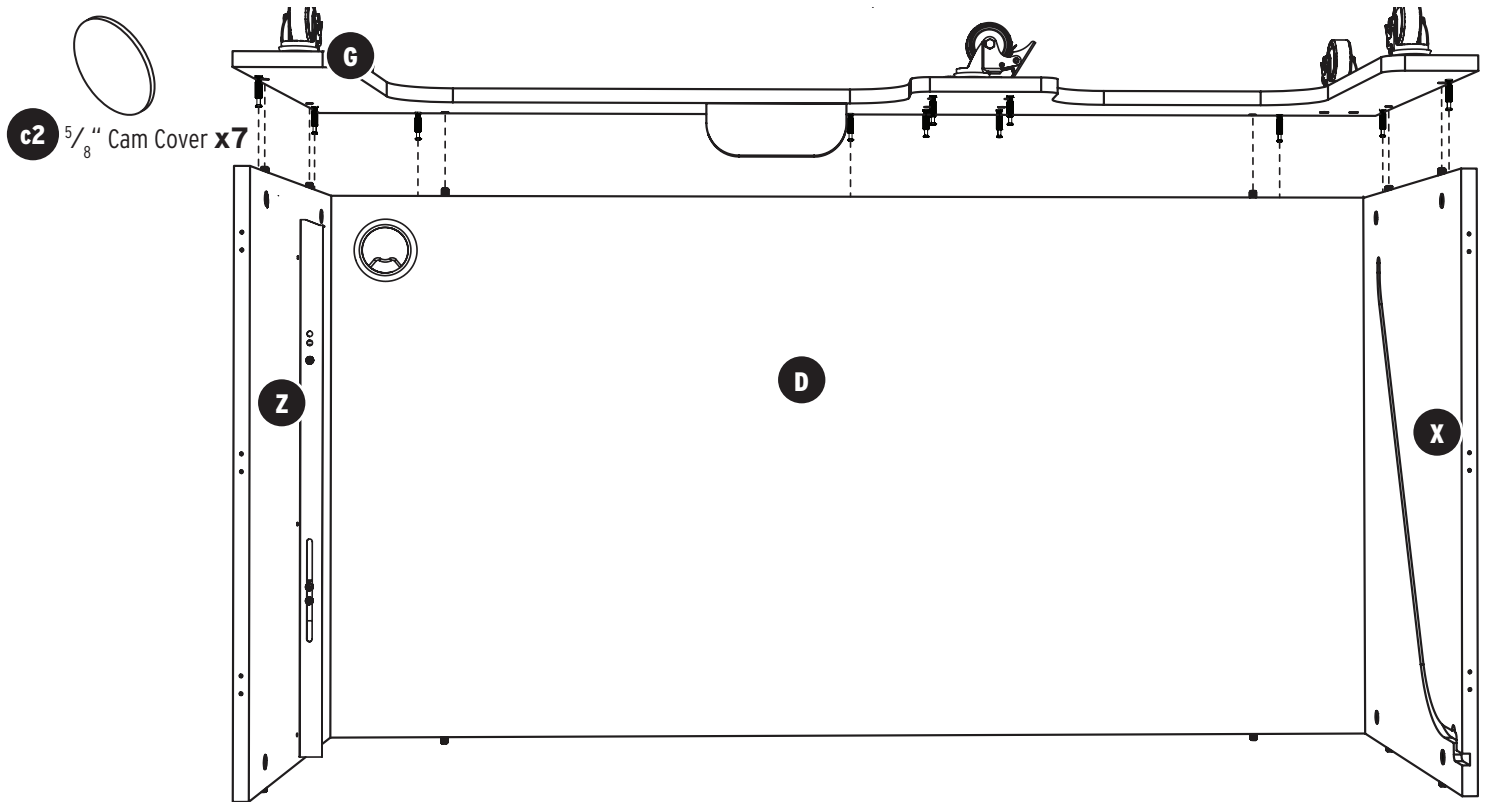
**NOTE:** The illustration below shows upside down assembly of **Panels D, X and Z**. Assembling these panels upside down will make attaching **Panel G** easier.

Note that **Panel D** must have **Cam Locks** facing the back/outside of the cabinet.

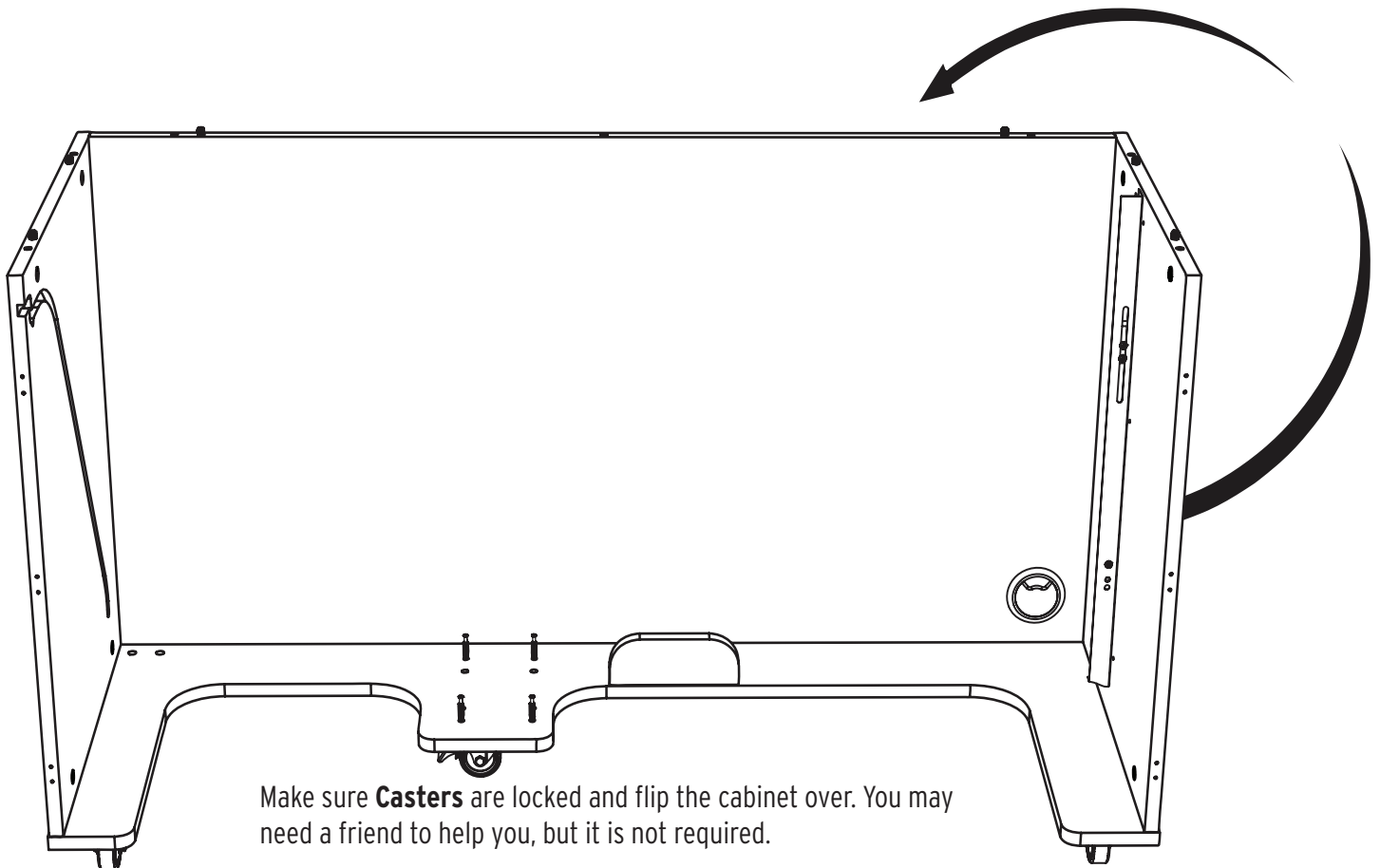


**NOTE:** Rails depicted in Parts drawings are Hydraulic Lift Rails. Electric Lift Rails install in the same way. Be sure to position the Rail Tab at the TOP of the panel.

# Main Cabinet Step 2: Back and Side Panels



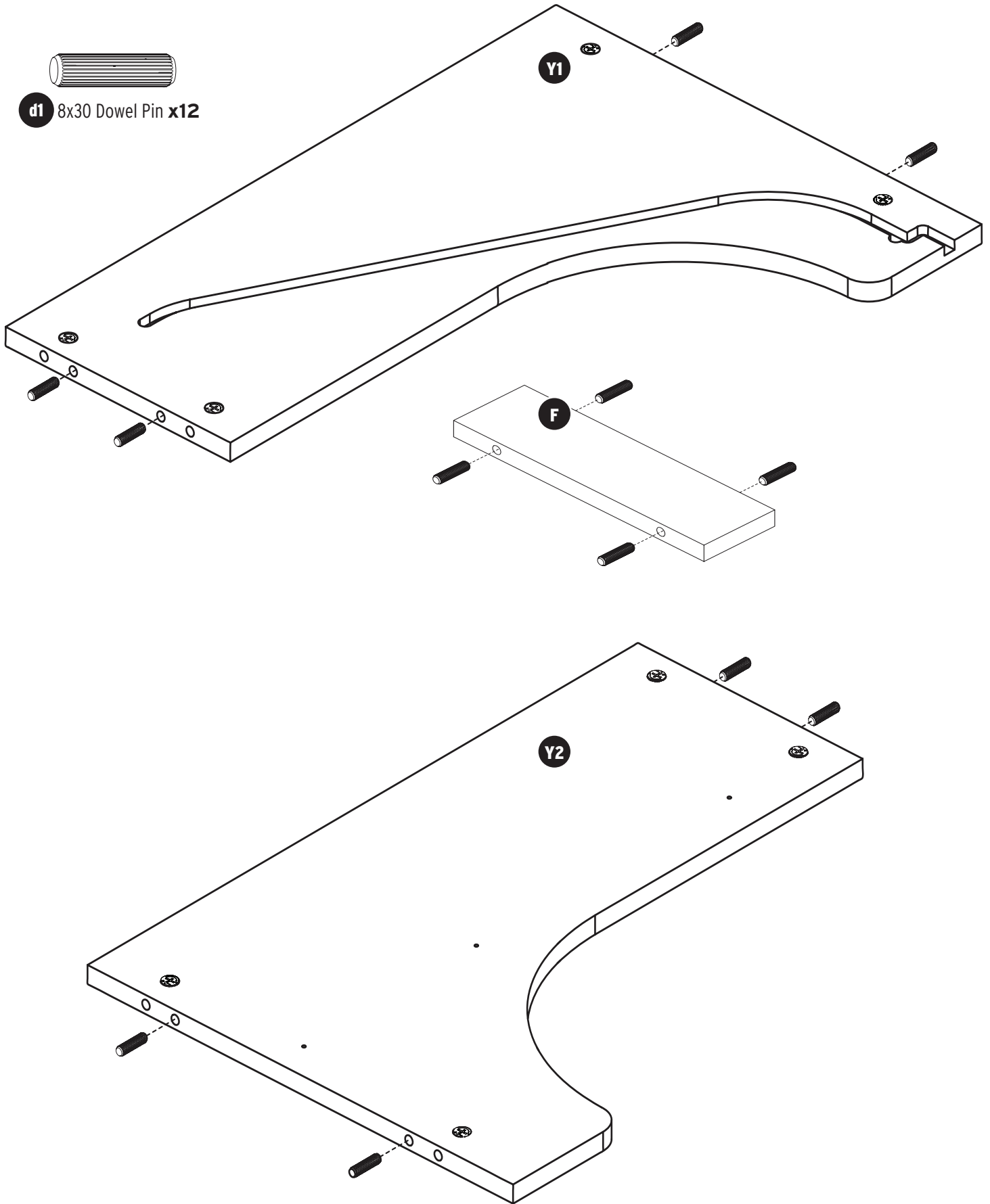
Attach **Panel G** as shown. Tighten **Cam Locks** and cover with **Cam Covers**.



# Main Cabinet Step 3: Center Panels

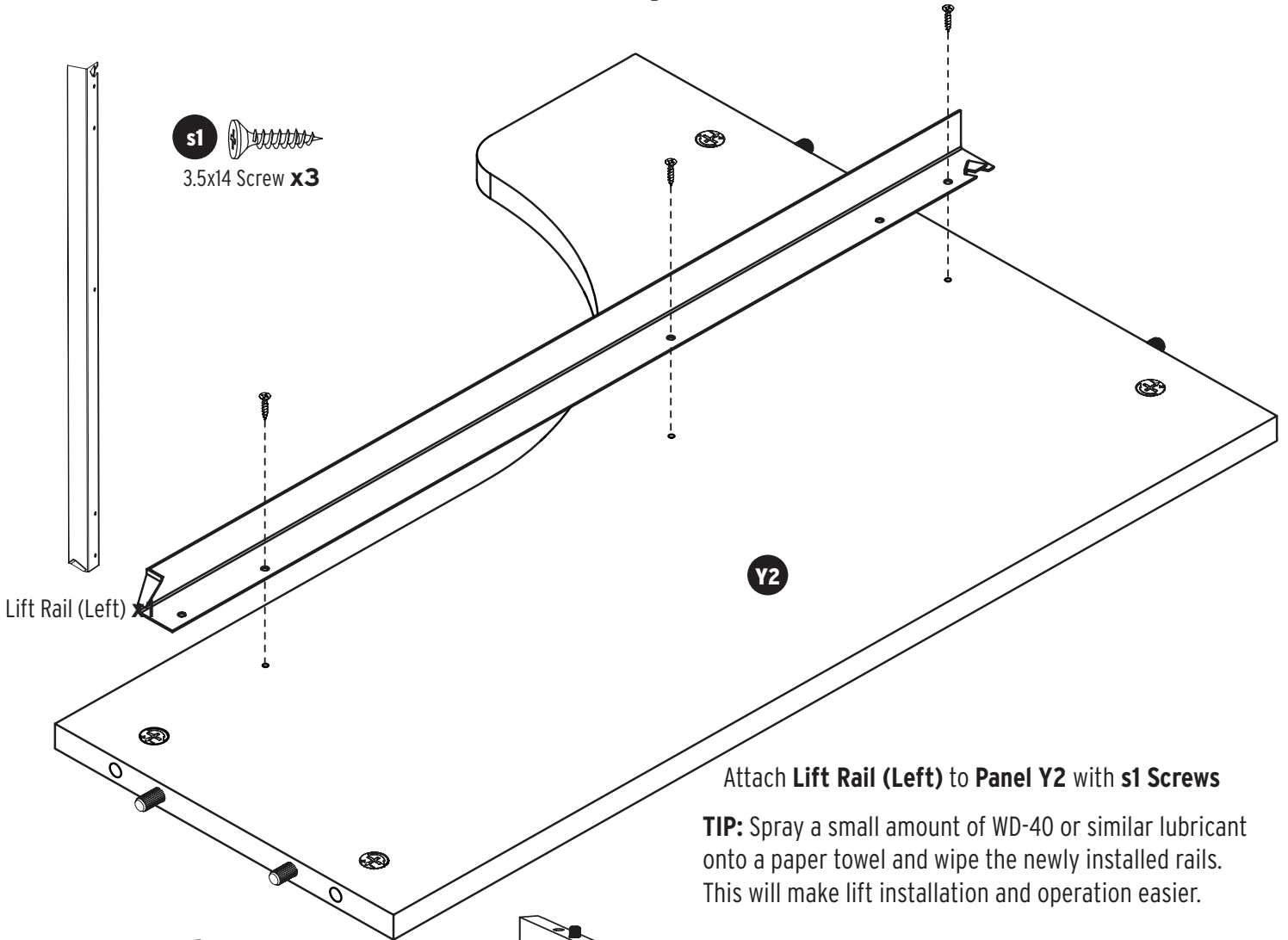


**d1** 8x30 Dowel Pin x12



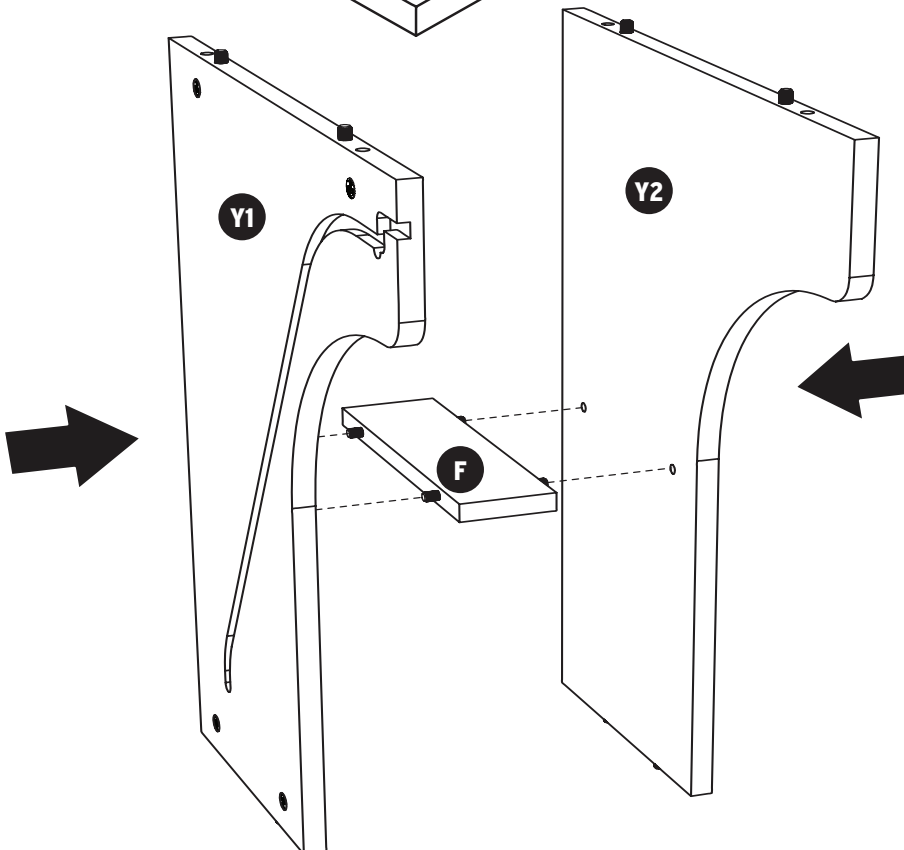
Insert **Dowel Pins** into the edges of **Panels Y1, Y2 and F**

# Main Cabinet Step 3: Center Panels



Attach **Lift Rail (Left)** to **Panel Y2** with **s1 Screws**

**TIP:** Spray a small amount of WD-40 or similar lubricant onto a paper towel and wipe the newly installed rails. This will make lift installation and operation easier.



Slide **Dowel Pins** on **Panel F** into **Panels Y1 and Y2** as shown.

**NOTE:** Rails depicted in Parts drawings are Hydraulic Lift Rails. Electric Lift Rails install in the same way. Be sure to position the Rail Tab at the TOP of the panel.

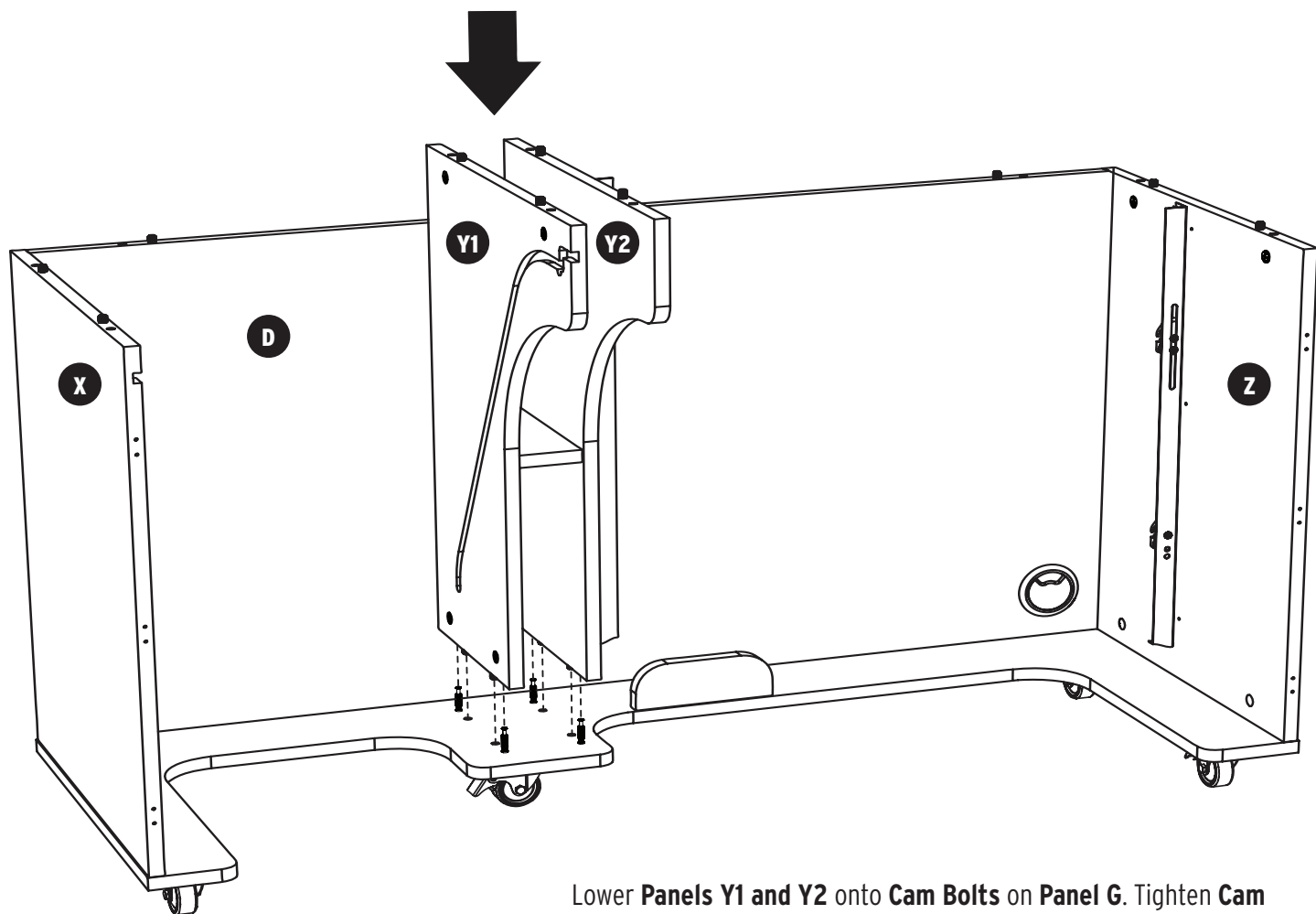


# Main Cabinet Step 3: Center Panels

c2



$\frac{5}{8}$ " Cam Cover x4



Lower **Panels Y1 and Y2** onto **Cam Bolts** on **Panel G**. Tighten **Cam Locks** and apply **Cam Covers** over tightened Cams.

# **Main Cabinet Part 4: Lift Installation**

**Hydraulic Lift Installation: Page 15**

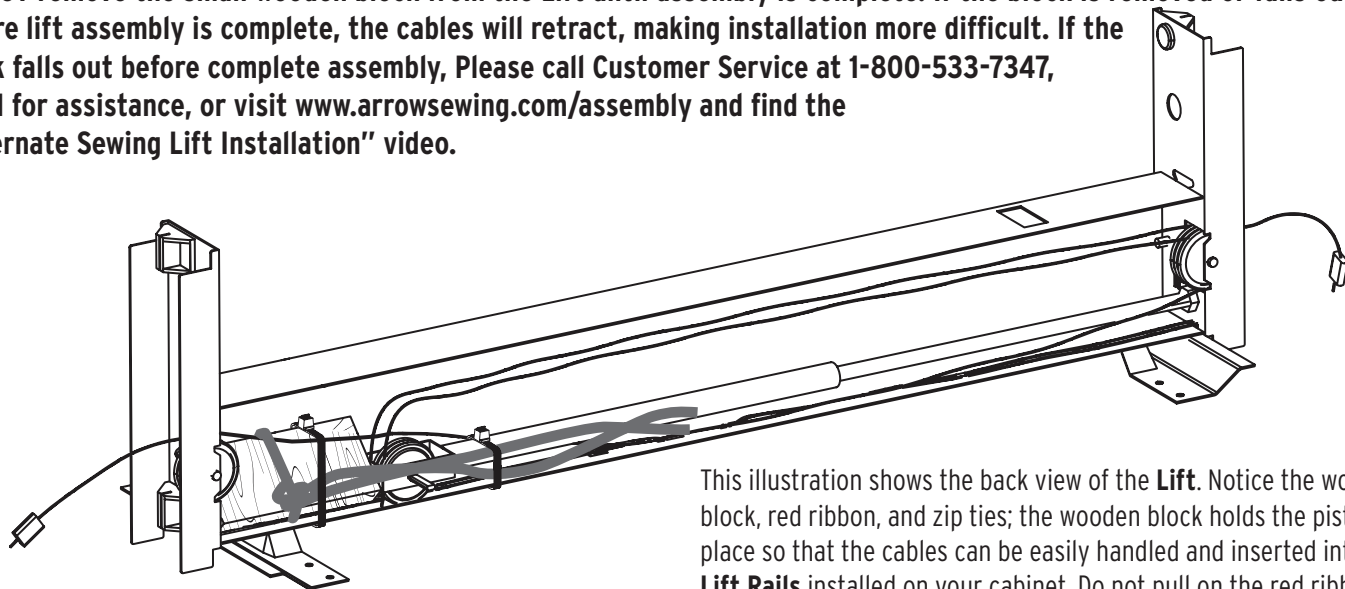
**Electric Lift Installation: Page 17**

# Main Cabinet Step 4a: Hydraulic Lift Installation

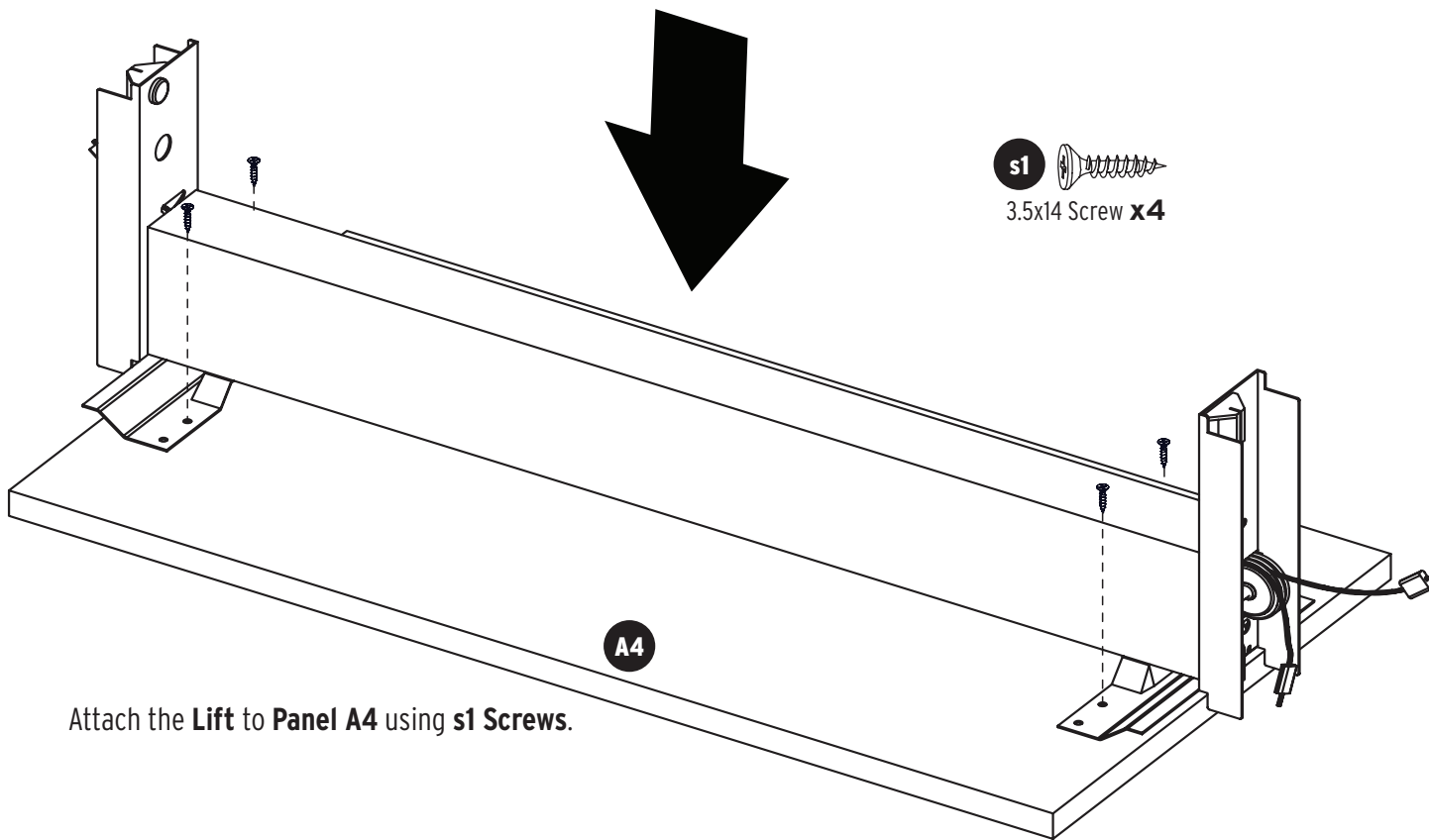
## HYDRAULIC LIFT INSTALLATION WARNING:

For video instructions, please visit [www.arrowsewing.com/assembly](http://www.arrowsewing.com/assembly) and find the "How to Install Your Hydraulic Lift" video.

DO NOT remove the small wooden block from the Lift until assembly is complete. If the block is removed or falls out before lift assembly is complete, the cables will retract, making installation more difficult. If the block falls out before complete assembly, Please call Customer Service at 1-800-533-7347, ext. 1 for assistance, or visit [www.arrowsewing.com/assembly](http://www.arrowsewing.com/assembly) and find the "Alternate Sewing Lift Installation" video.

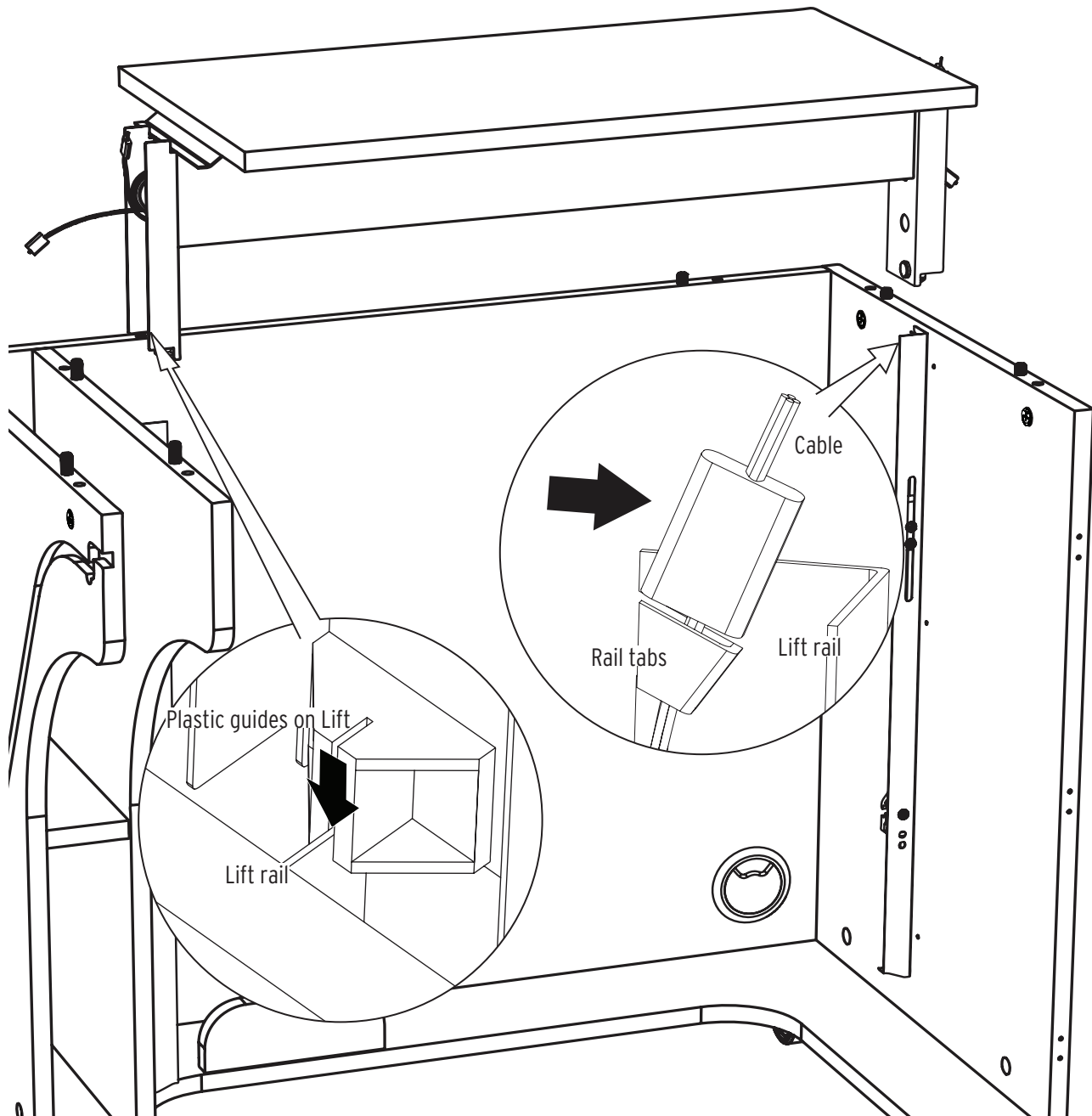


This illustration shows the back view of the **Lift**. Notice the wooden block, red ribbon, and zip ties; the wooden block holds the piston in place so that the cables can be easily handled and inserted into the **Lift Rails** installed on your cabinet. Do not pull on the red ribbon or remove the zip ties just yet!



Attach the **Lift** to **Panel A4** using **s1** Screws.

# Main Cabinet Step 4a: Hydraulic Lift Panel



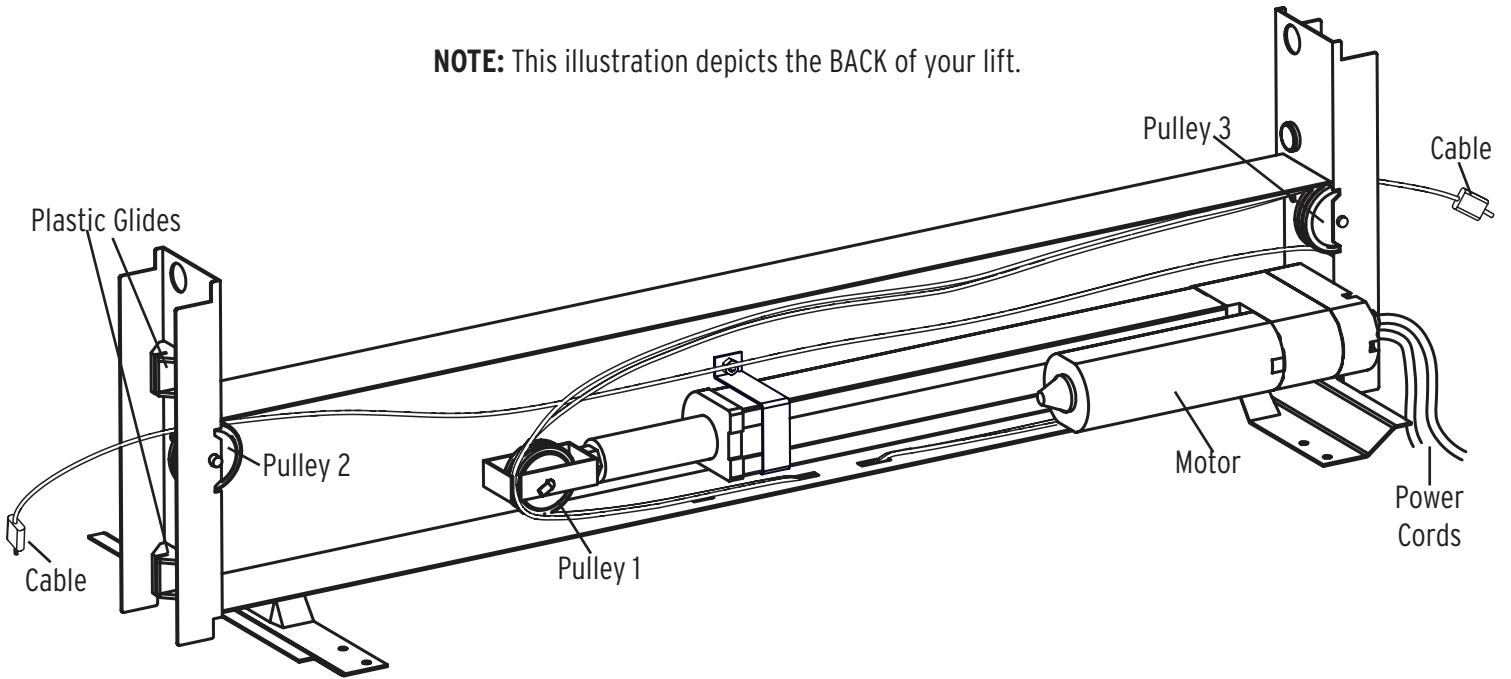
Guide **Lift** onto **Lift Rails** using plastic guides. Insert ends of cable into rail tabs; make sure the cable is hooked into the rail tabs on both sides.

Cut the zip tie on the wooden block, but **DO NOT** remove the block yet.

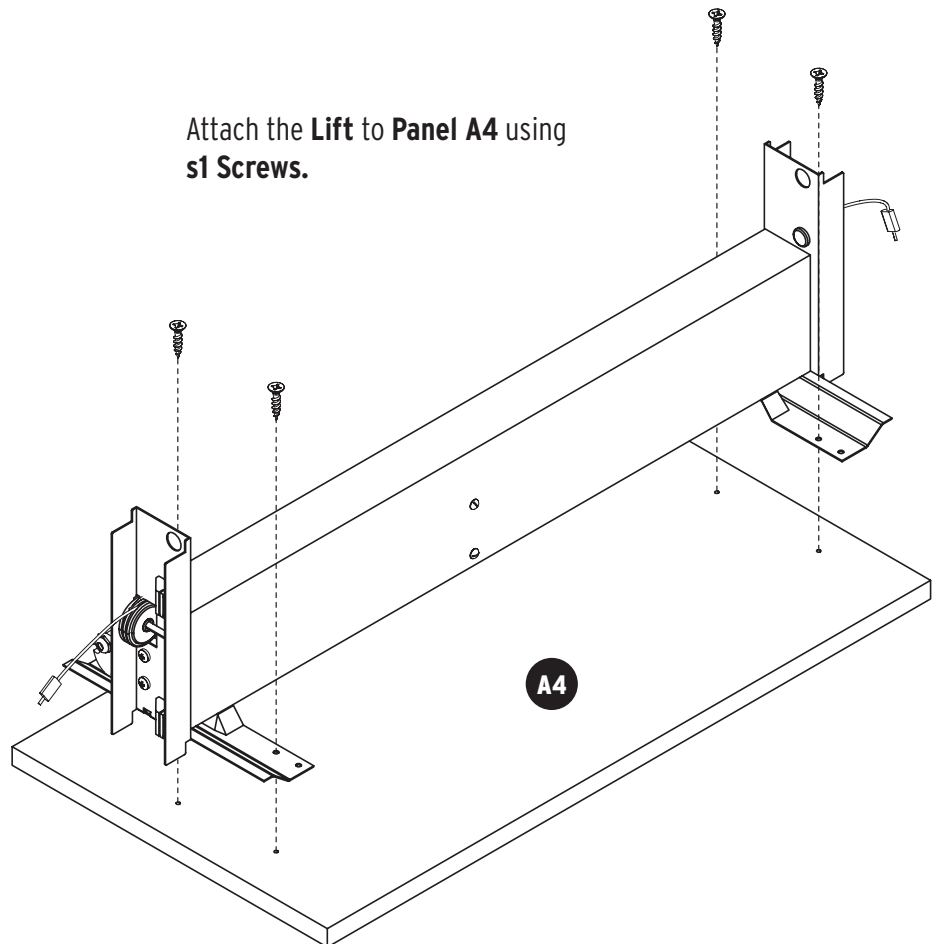
Push the **Lift** down to first lock position (listen for the **CLICK!**) and remove the wooden block. **DO NOT ADJUST LIFT POSITION until the top is installed**, or you risk the Lift coming out and cables becoming disengaged.

# Main Cabinet Step 4b: Electric Lift Panel

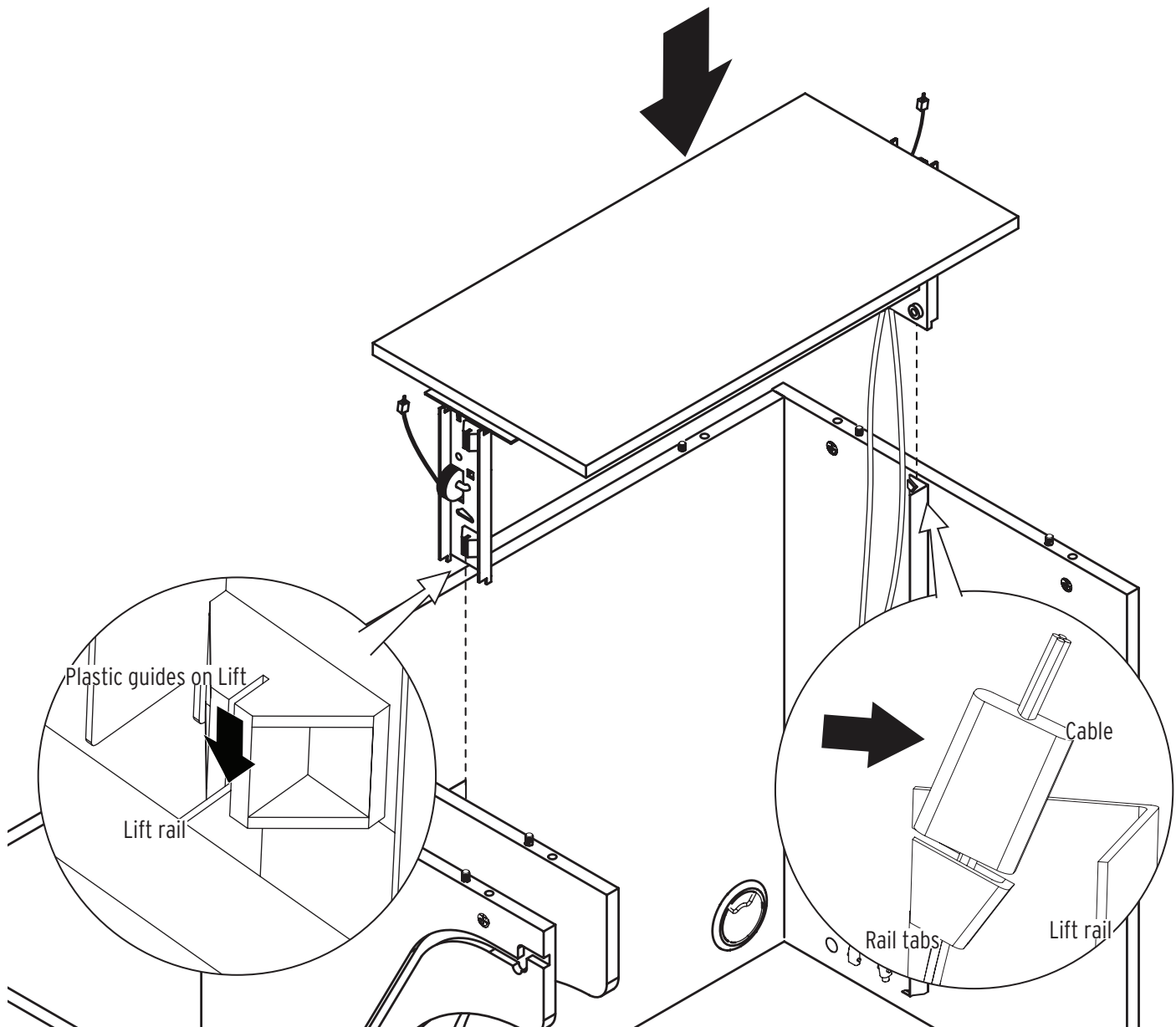
**NOTE:** This illustration depicts the BACK of your lift.



Attach the **Lift** to **Panel A4** using **s1 Screws**.



# Main Cabinet Step 4b: Electric Lift Panel



Pull the Cable as far out as it will go.

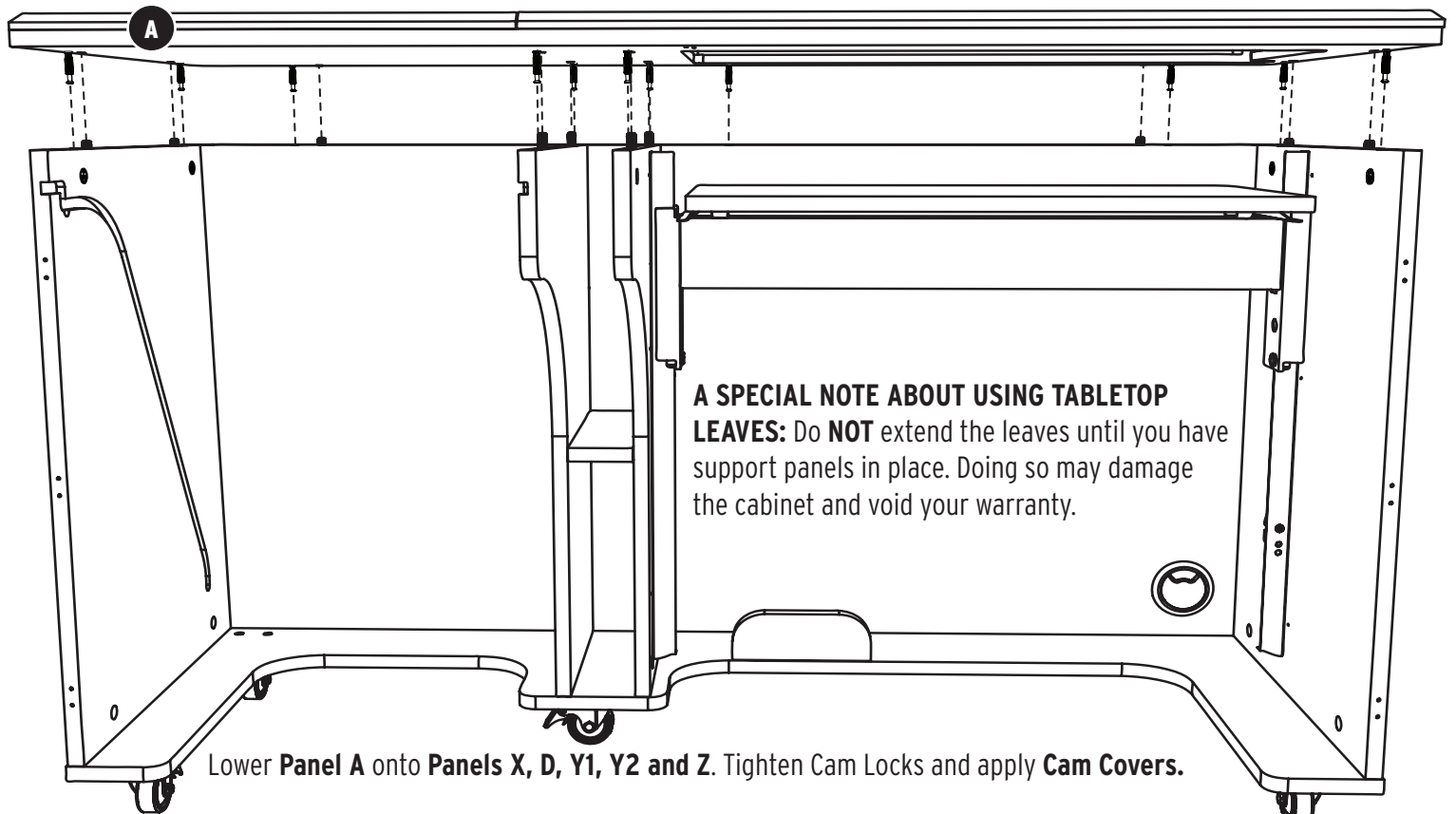
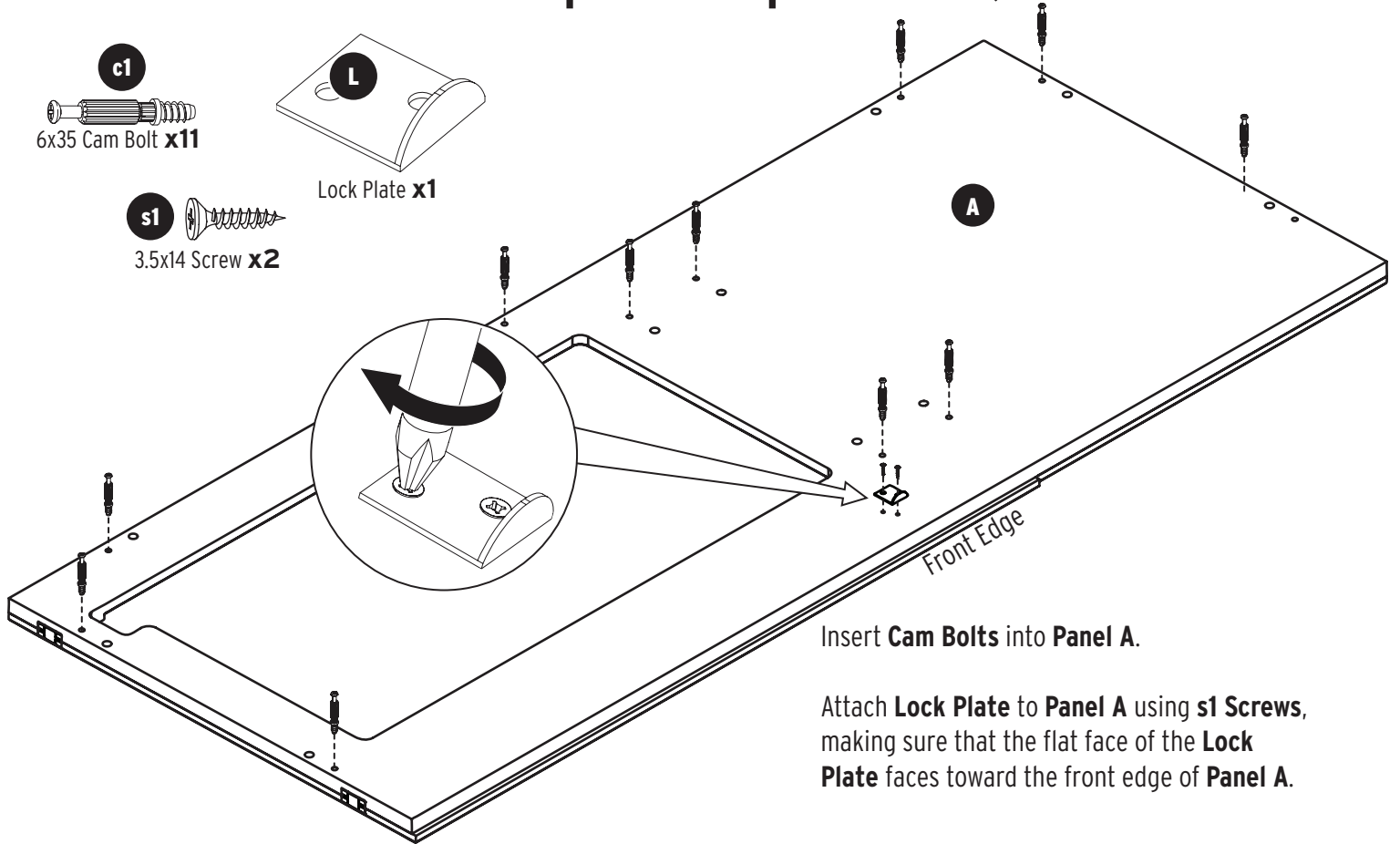
Guide **Lift** onto **Lift Rails** using plastic guides. Insert ends of cable into rail tabs; make sure the cable is hooked into the rail tabs on both sides.

**Do you have questions? Email us anytime at [cs@arrowsewing.com](mailto:cs@arrowsewing.com) or give Arrow Sewing Customer Service a call for assistance at 1-800-533-7347, ext. 1 during normal business hours.**

**Turn to Page 19 to continue cabinet assembly.**

**Instructions for Electric Lift cord management and operation begin on Page 27.**

# Main Cabinet Step 5: Top and Quilt Panel



# Main Cabinet Step 5: Top and Quilt Panel



**s1**  
3.5x14 Screw **x6**



**s2**  
3x14 Screw **x2**



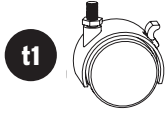
**m**  
Magnet **x1**



**s5**  
Alignment Pin **x1**



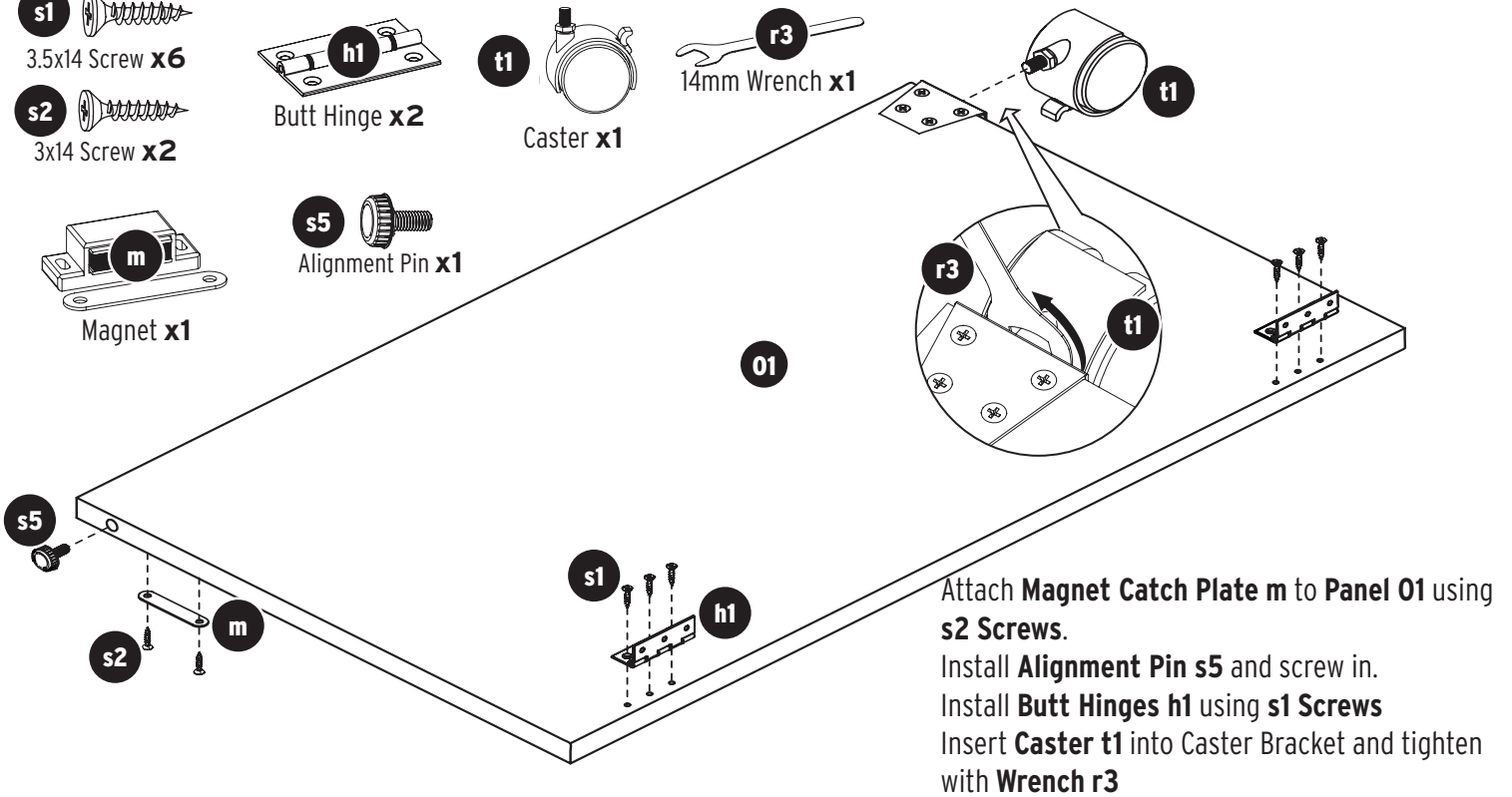
**h1**  
Butt Hinge **x2**



**t1**  
Caster **x1**



**r3**  
14mm Wrench **x1**



Attach **Magnet Catch Plate m** to **Panel 01** using **s2 Screws**.

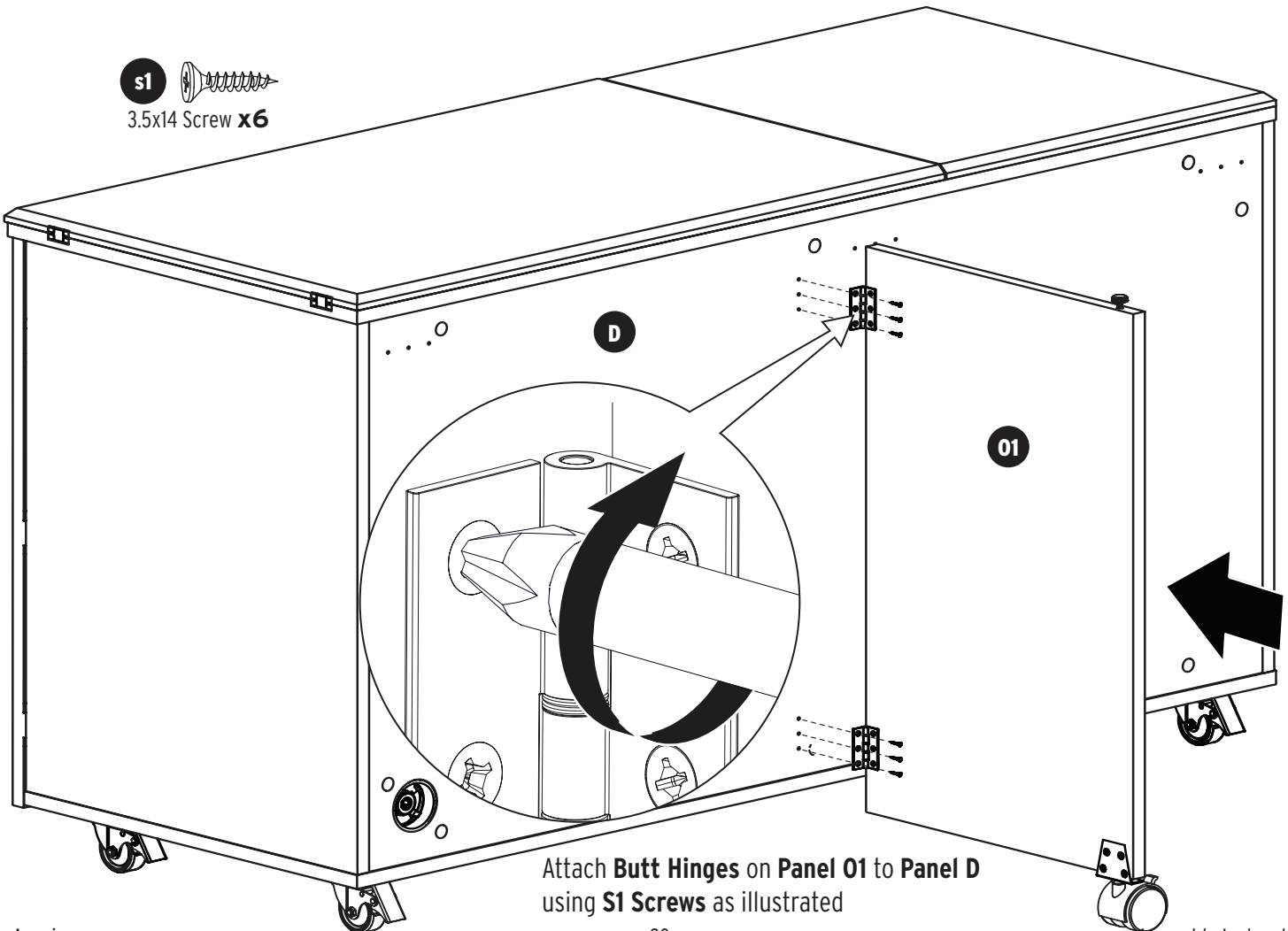
Install **Alignment Pin s5** and screw in.

Install **Butt Hinges h1** using **s1 Screws**

Insert **Caster t1** into Caster Bracket and tighten with **Wrench r3**



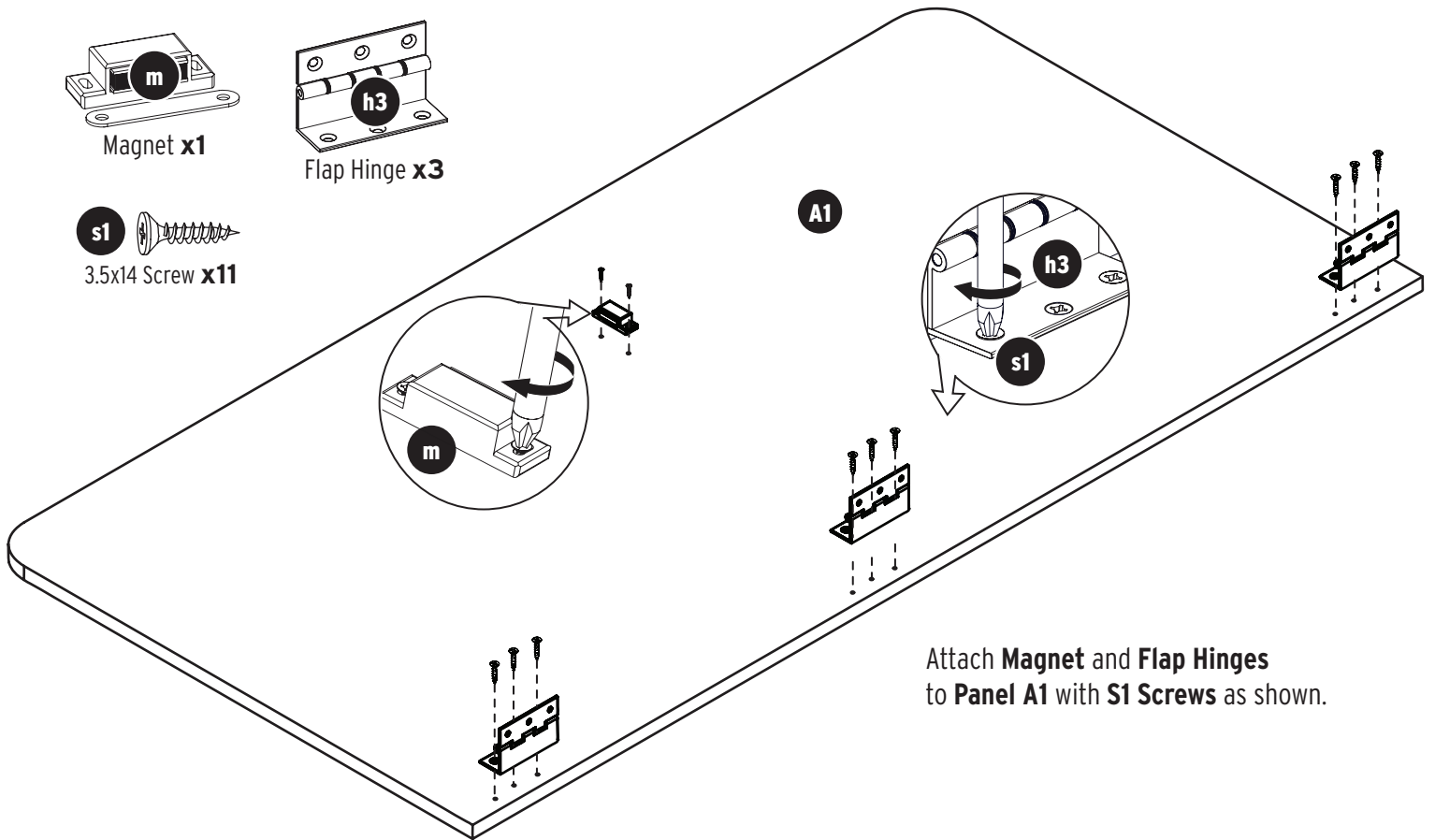
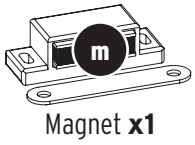
**s1**  
3.5x14 Screw **x6**



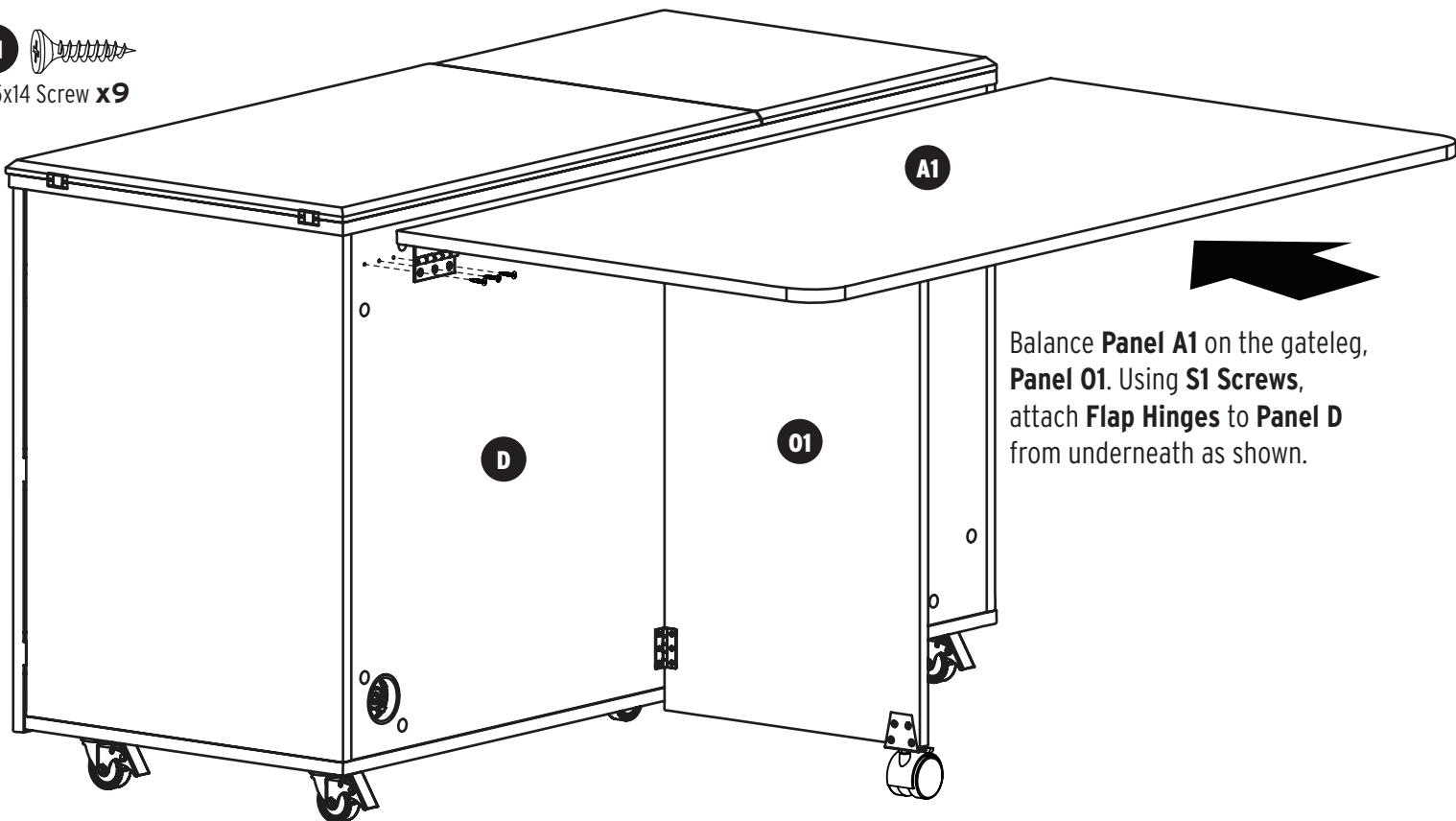
Attach **Butt Hinges** on **Panel 01** to **Panel D** using **S1 Screws** as illustrated



# Main Cabinet Step 5: Top and Quilt Panel

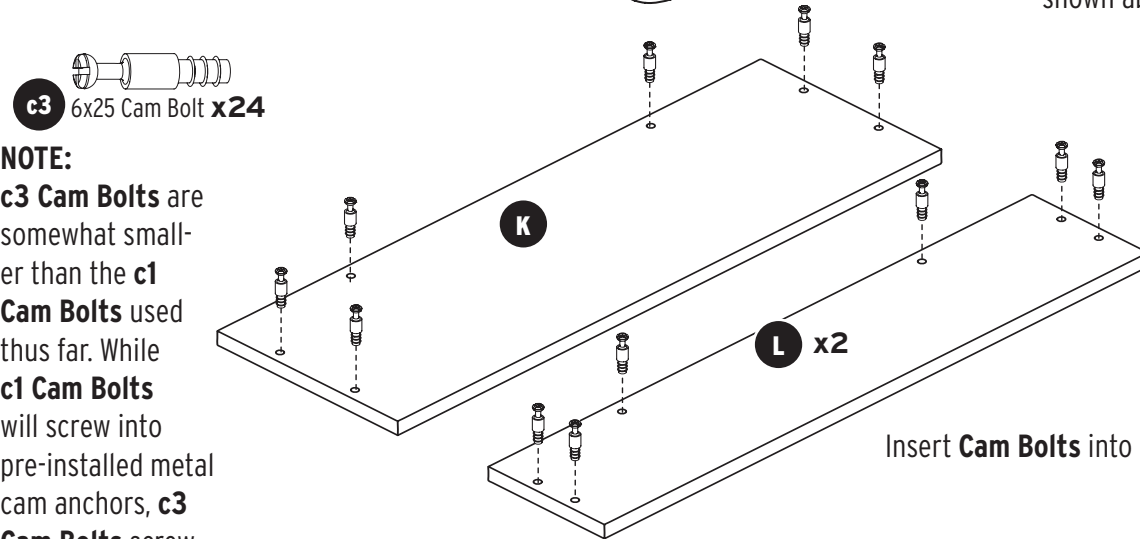
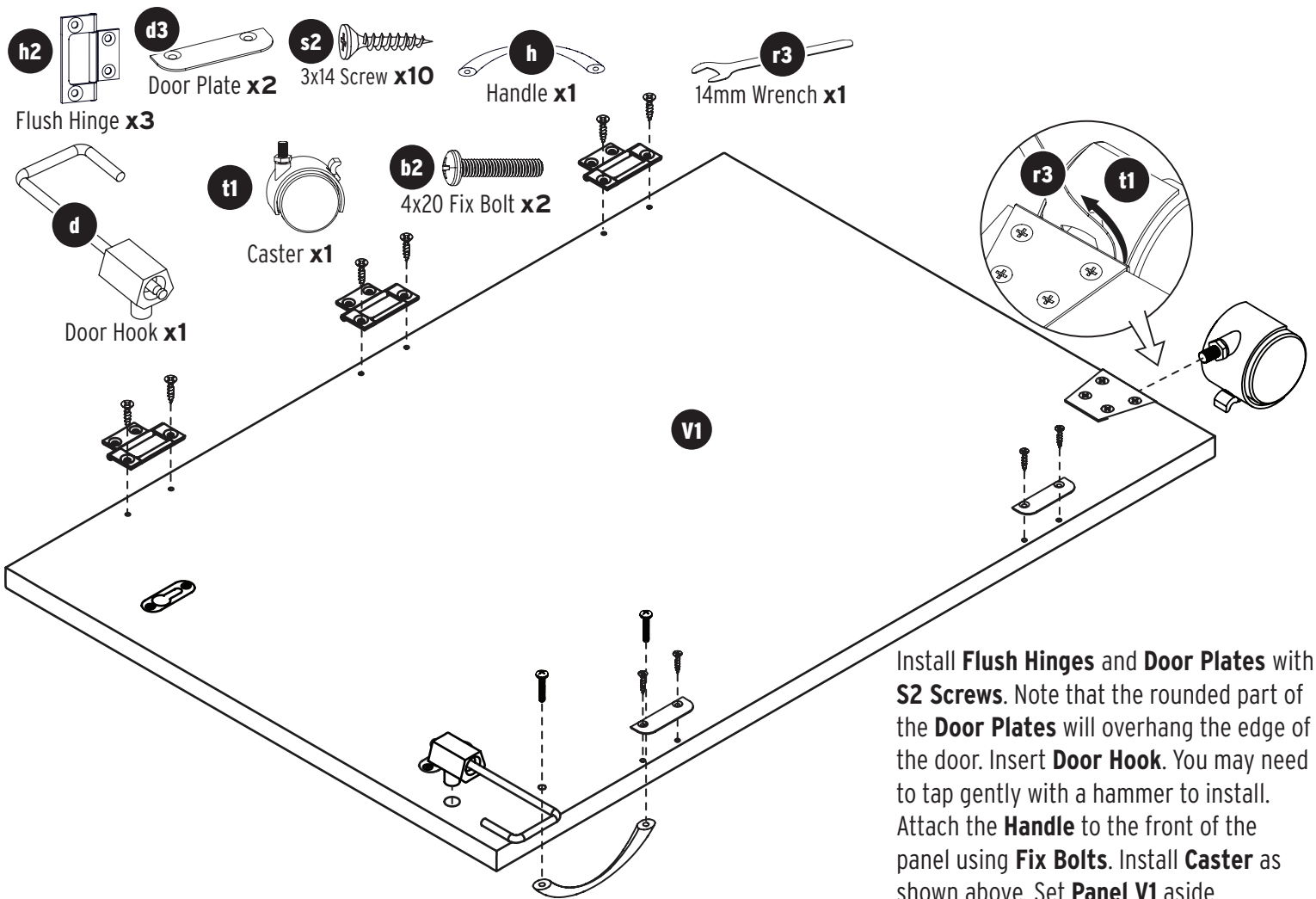


Attach **Magnet** and **Flap Hinges** to **Panel A1** with **S1 Screws** as shown.



Balance **Panel A1** on the gateleg, **Panel O1**. Using **S1 Screws**, attach **Flap Hinges** to **Panel D** from underneath as shown.

# Main Cabinet Step 6: Cabinet Doors

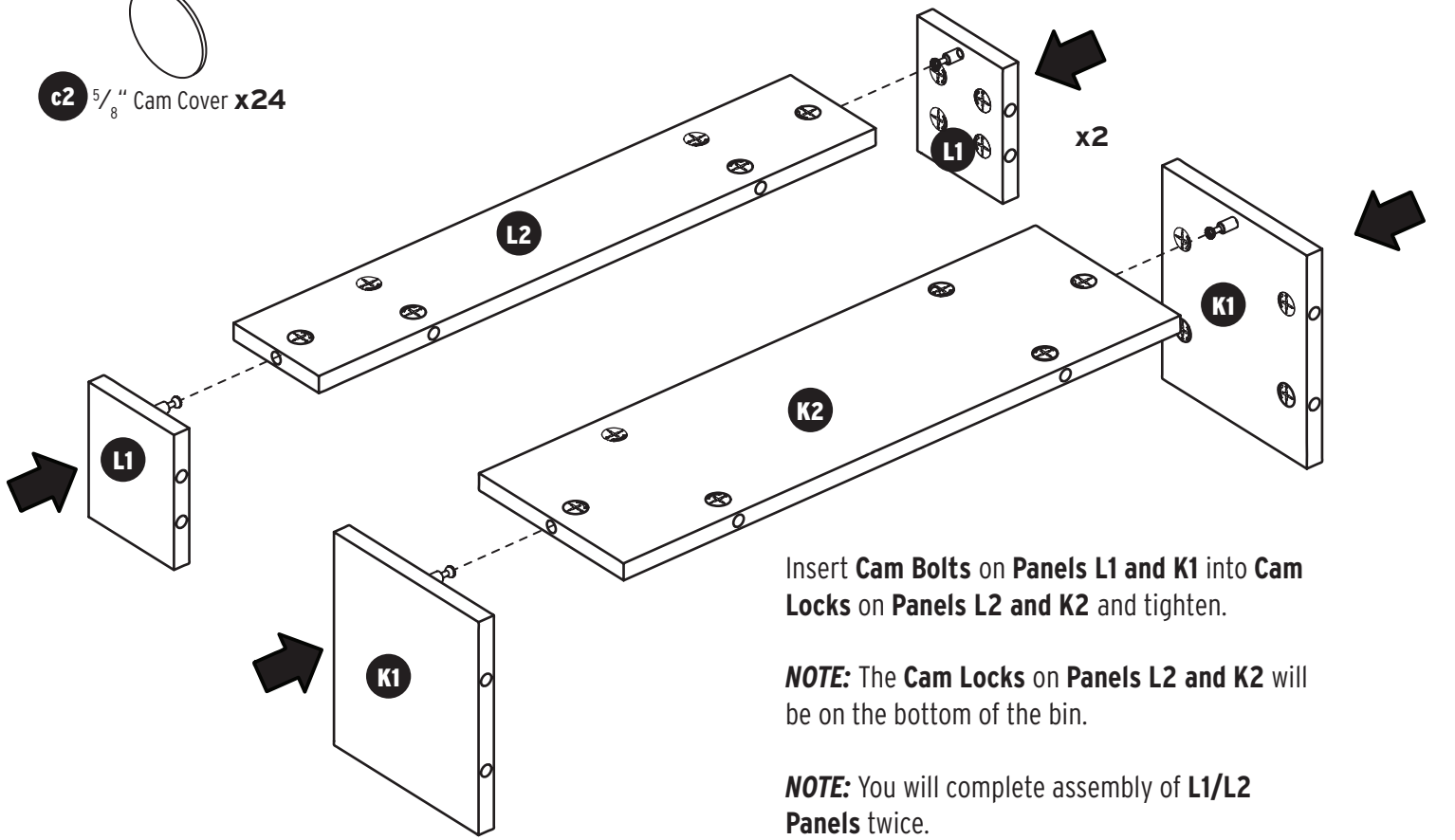


Insert **Cam Bolts** into **Panels L, L1, K and K1**

**NOTE:**  
**c3 Cam Bolts** are somewhat smaller than the **c1 Cam Bolts** used thus far. While **c1 Cam Bolts** will screw into pre-installed metal cam anchors, **c3 Cam Bolts** screw directly into the Panel.

# Main Cabinet Step 6: Cabinet Doors

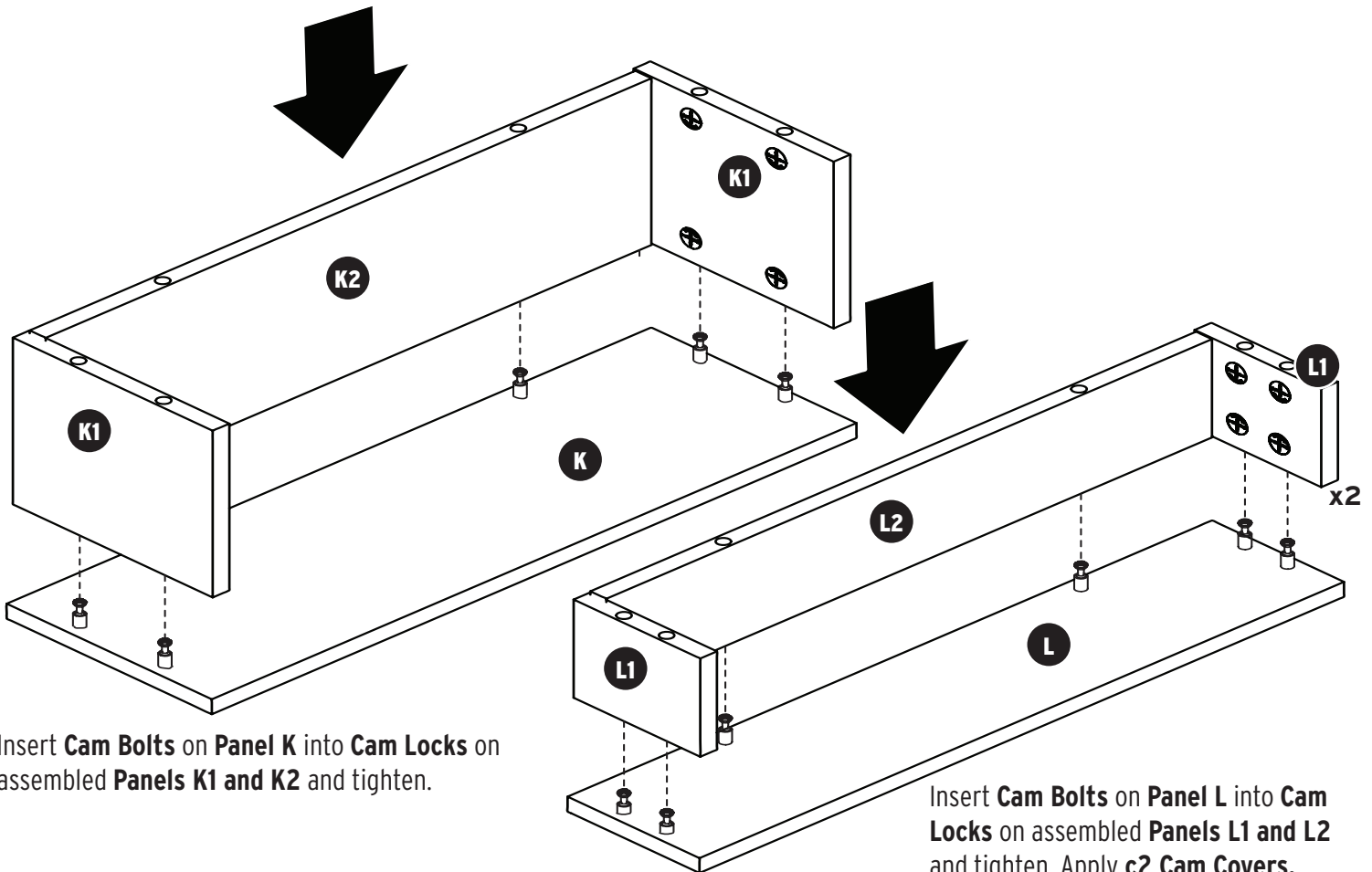
 **c2**  $\frac{5}{8}$ " Cam Cover **x24**



Insert **Cam Bolts** on **Panels L1 and K1** into **Cam Locks** on **Panels L2 and K2** and tighten.

**NOTE:** The **Cam Locks** on **Panels L2 and K2** will be on the bottom of the bin.

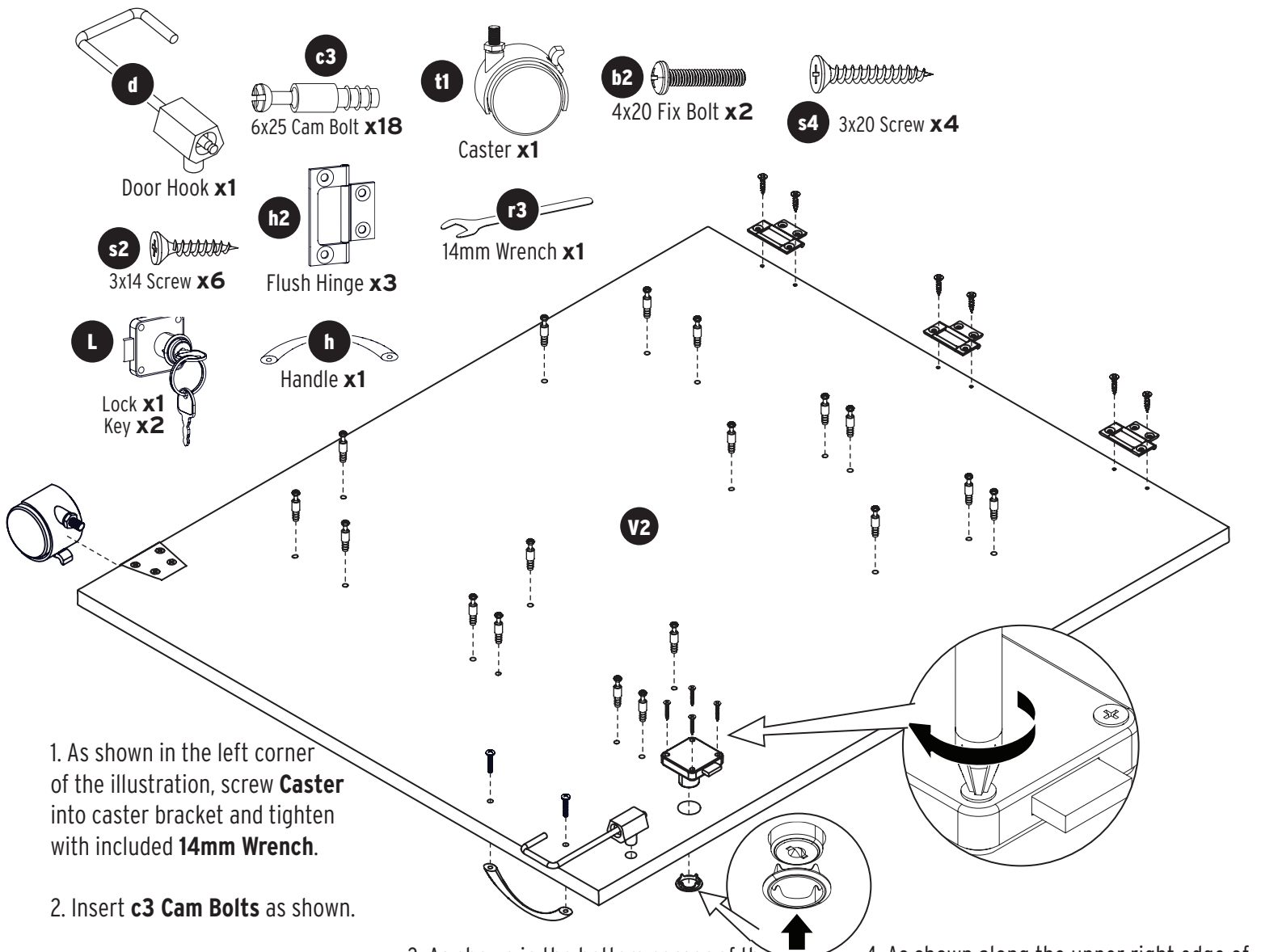
**NOTE:** You will complete assembly of **L1/L2 Panels** twice.



Insert **Cam Bolts** on **Panel K** into **Cam Locks** on assembled **Panels K1 and K2** and tighten.

Insert **Cam Bolts** on **Panel L** into **Cam Locks** on assembled **Panels L1 and L2** and tighten. Apply **c2 Cam Covers**.

# Main Cabinet Step 6: Cabinet Doors



1. As shown in the left corner of the illustration, screw **Caster** into caster bracket and tighten with included **14mm Wrench**.

2. Insert **c3 Cam Bolts** as shown.

3. As shown in the bottom corner of the illustration:

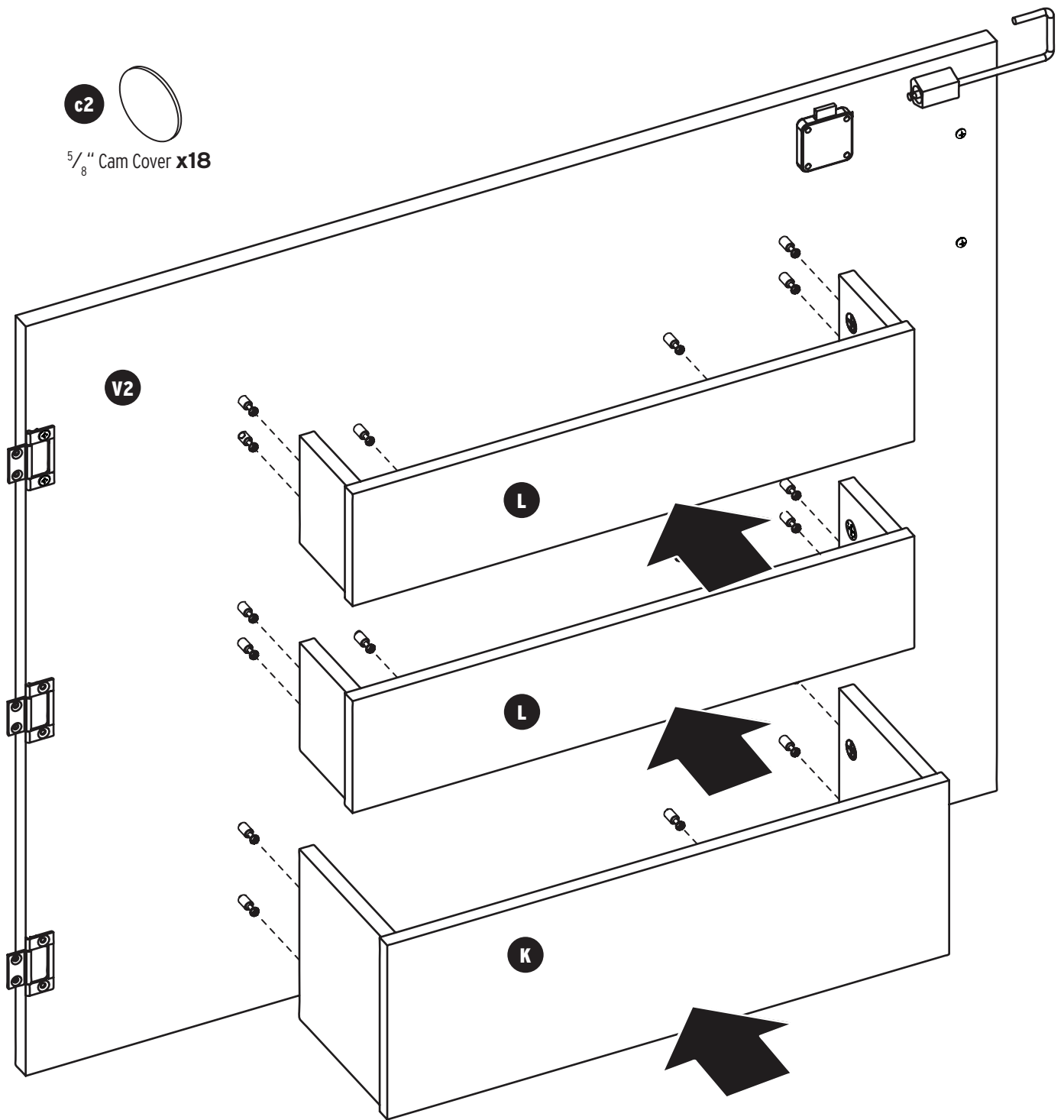
4. As shown along the upper right edge of the illustration: Attach **Flush Hinges** with **S2 Screws**.

- Insert **Door Hook**. You may need to tap gently with a hammer to install.

- Attach **Handle** to outside of **Panel V2** and secure with **Fix Bolts**.

- Attach **Lock** with **S4 Screws** Add trim ring to lock on the outside of **Panel V2**. You will need to press firmly to attach the trim ring to the outside of the lock.

# Main Cabinet Step 6: Cabinet Doors

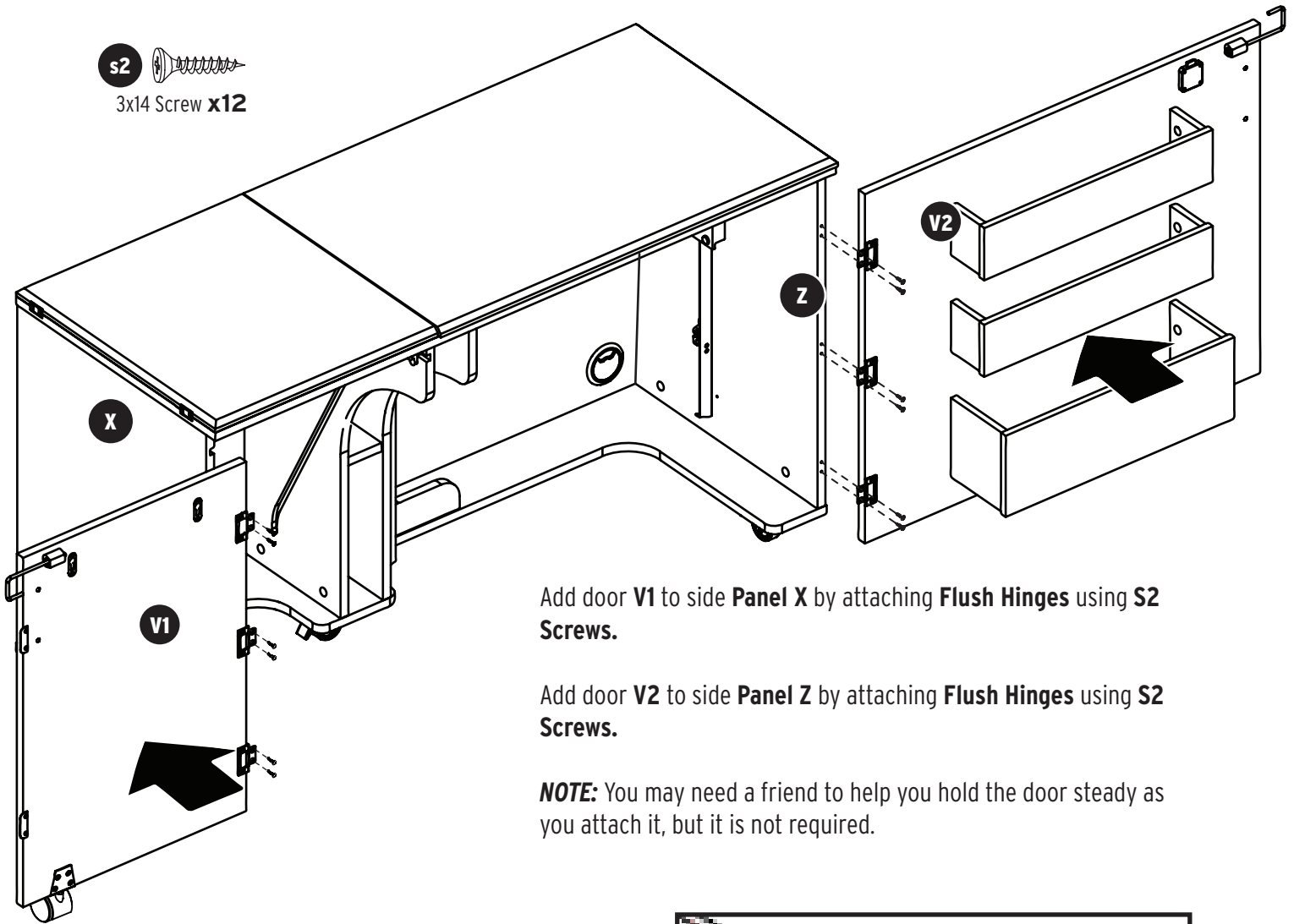


Insert **Cam Bolts** on **Panel V2** into **Cams** on assembled Bins. Tighten and cover with **Cam Covers**.

**TIP:** Start with the top bin and work your way down. This will make it easier to reach the **Cam Locks** on the bottoms of the bins.

# Main Cabinet Step 6: Cabinet Doors

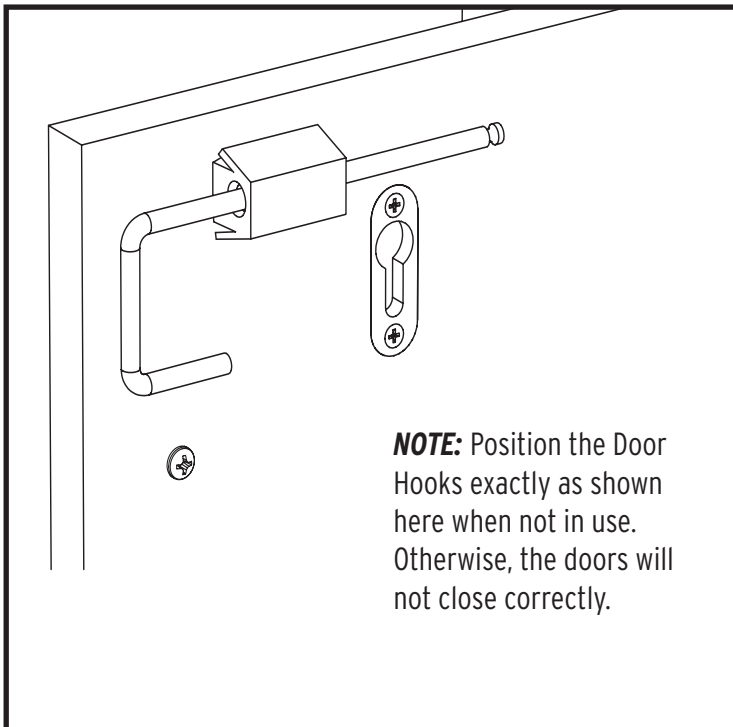
**S2**   
3x14 Screw **x12**



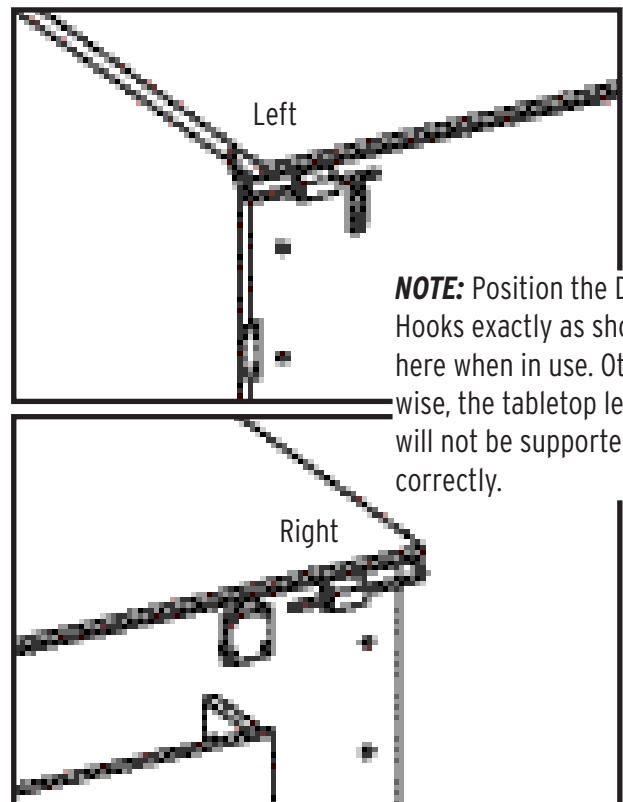
Add door **V1** to side **Panel X** by attaching **Flush Hinges** using **S2 Screws**.

Add door **V2** to side **Panel Z** by attaching **Flush Hinges** using **S2 Screws**.

**NOTE:** You may need a friend to help you hold the door steady as you attach it, but it is not required.



**NOTE:** Position the Door Hooks exactly as shown here when not in use. Otherwise, the doors will not close correctly.



**NOTE:** Position the Door Hooks exactly as shown here when in use. Otherwise, the tabletop leaves will not be supported correctly.

# Main Cabinet Step 7: Electric Lift Cord Management

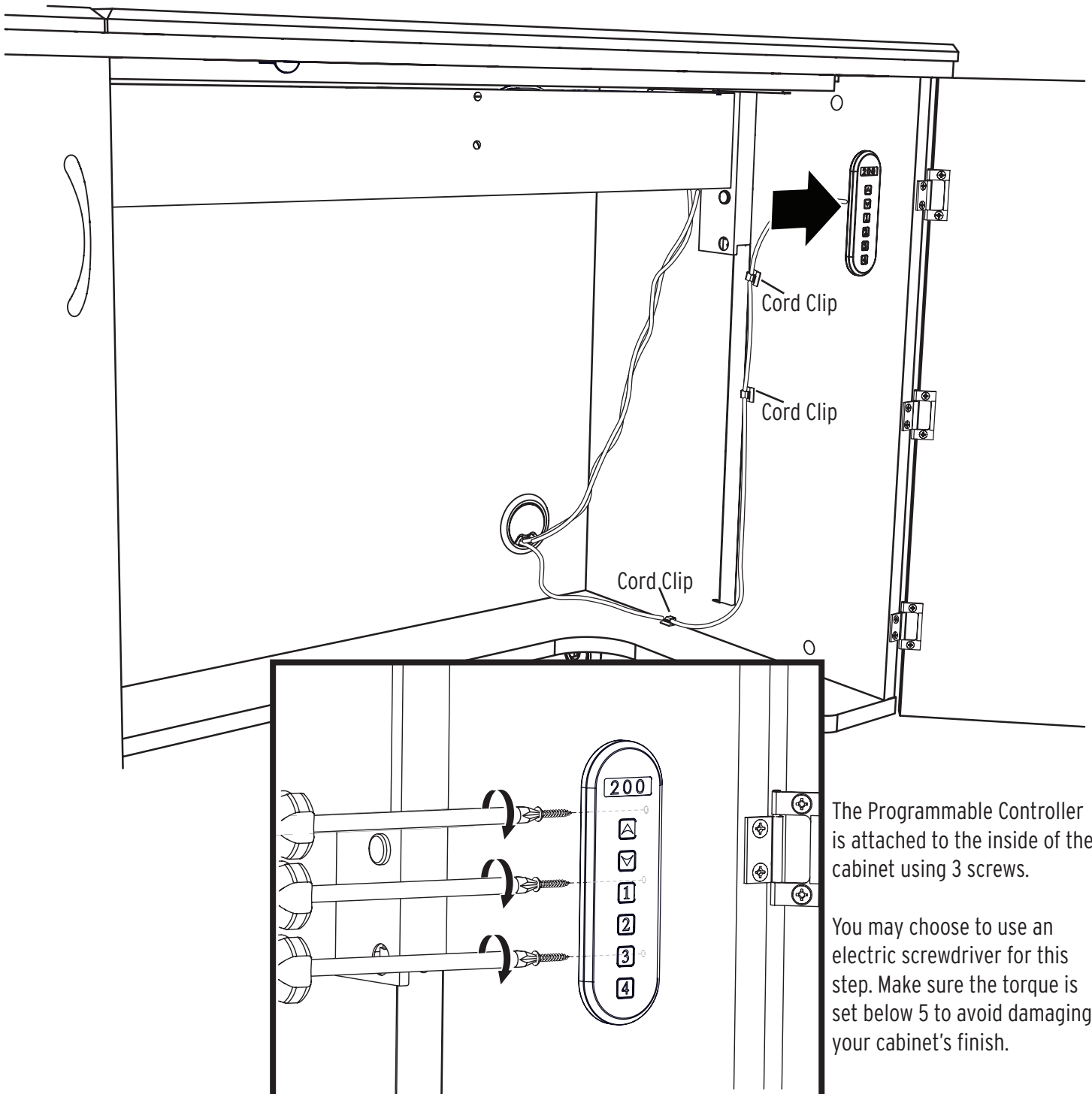
To control the cords coming from your electric lift, twist them together and feed them through the cord port in your cabinet's lower right back corner. DO NOT USE Cord Clips on the cords coming from the Electric Lift.

Attach the Programmable Controller with the screws provided. Scan this QR code for a printable template:



**OPTIONAL:** You may use Cord Clips on the wire coming from the Programmable Controller, as shown below.

**NOTE:** When securing cords with Cord Clips, be careful to keep cords from crossing over the lift rails.



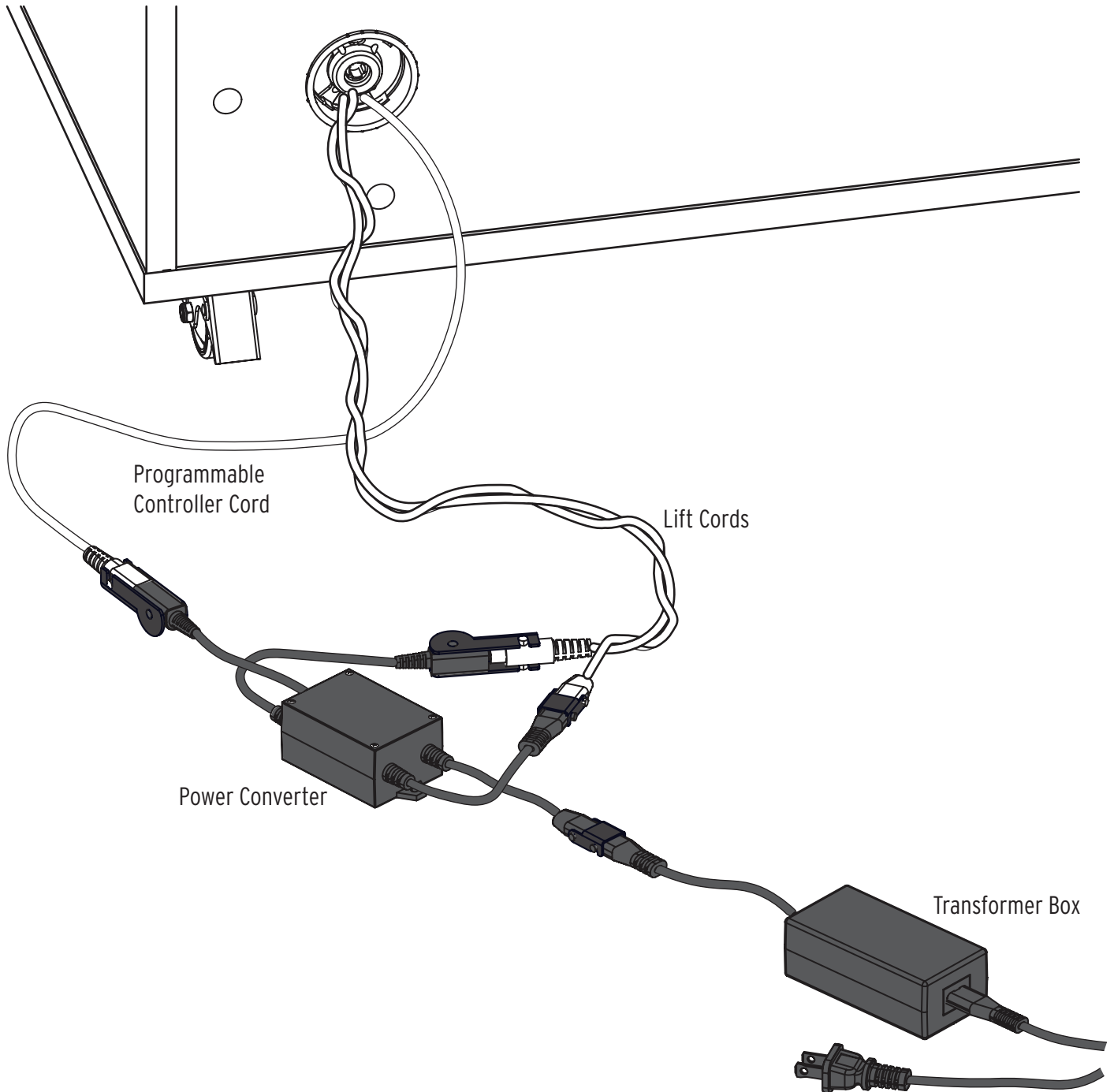
The Programmable Controller is attached to the inside of the cabinet using 3 screws.

You may choose to use an electric screwdriver for this step. Make sure the torque is set below 5 to avoid damaging your cabinet's finish.

# Main Cabinet Step 7: Electric Lift Cord Management

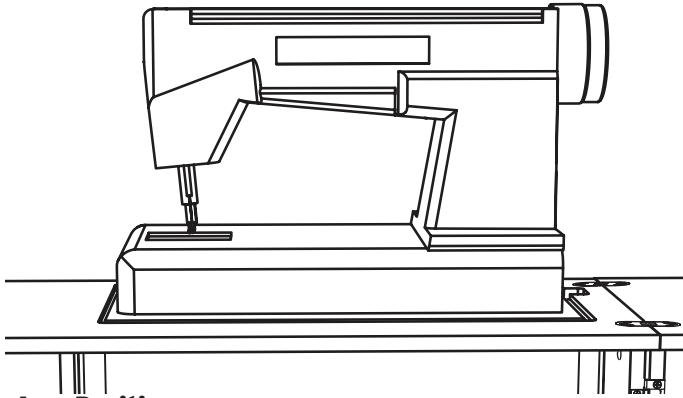
Carefully feed the twisted cords from the Electric Lift and the Programmable Controller through the Cord Port and plug them in to the Power Converter.

**NOTE:** Each cord and cord receptacle has a different pin pattern, making it easy to match the cords to the Power Converter.



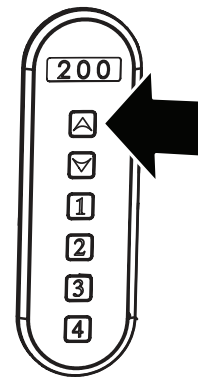


# Main Cabinet Step 8: Electric Lift Programming and Use

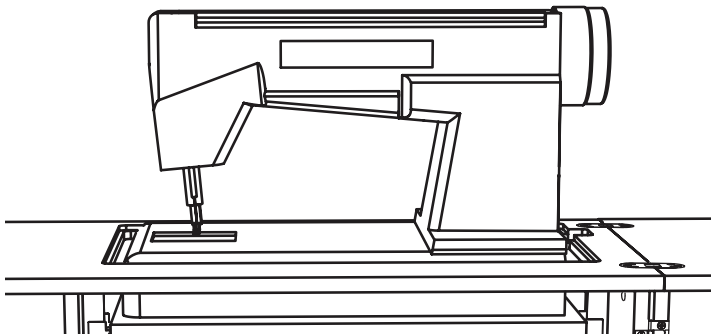


## Free Arm Position:

Also known as “tabletop sewing,” this is the favored sewing position to use for hems, cuffs, and other small, curved pieces.

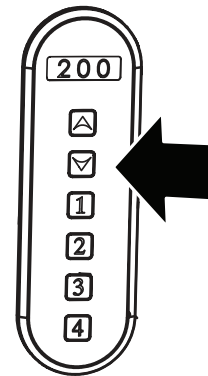


Press and hold the UP button on your controller to position your lift platform in the uppermost position. Press and hold the preset position of your choice for 5 seconds. Free Arm Position is now pre-set.

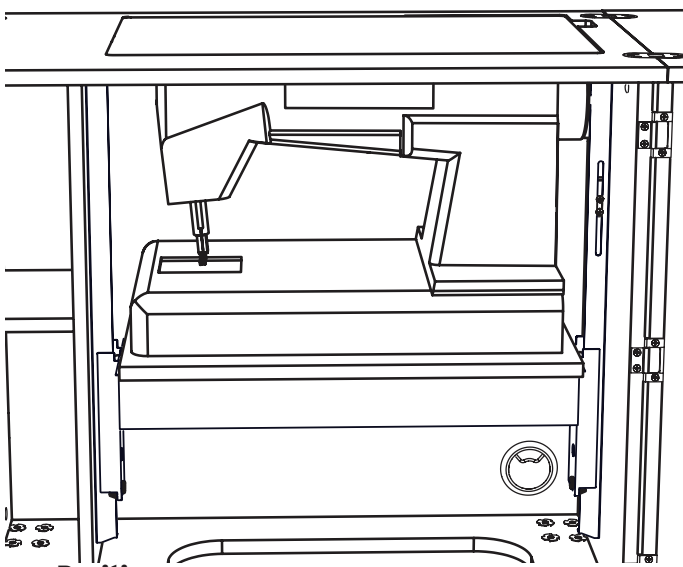


## Flatbed Position:

Flatbed Position is perfect for sewing larger, heavier projects and is the most comfortable way to sew. Add a custom acrylic insert for a custom fit to your specific machine and cabinet to experience a truly ergonomic sewing session.

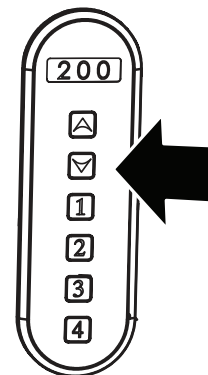


Press and hold the DOWN button on your controller until the throat plate on your machine is level with the tabletop. Press and hold the preset position of your choice for 5 seconds. Flat Bed Position is now pre-set.



## Storage Position:

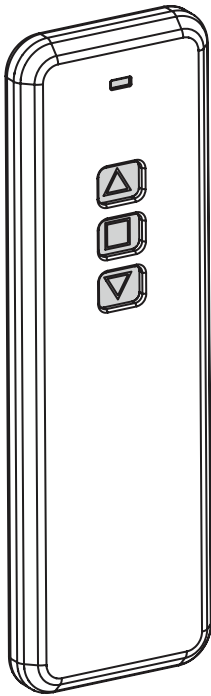
Your sewing machine is now safely stored in the belly of your sewing cabinet! If your cabinet includes a sewing well cover, you may place that over your sewing well and use your cabinet as a desk.



Press and hold the DOWN button on your controller until the platform is completely lowered. Press and hold the preset position of your choice for 5 seconds. Storage Position is now pre-set.

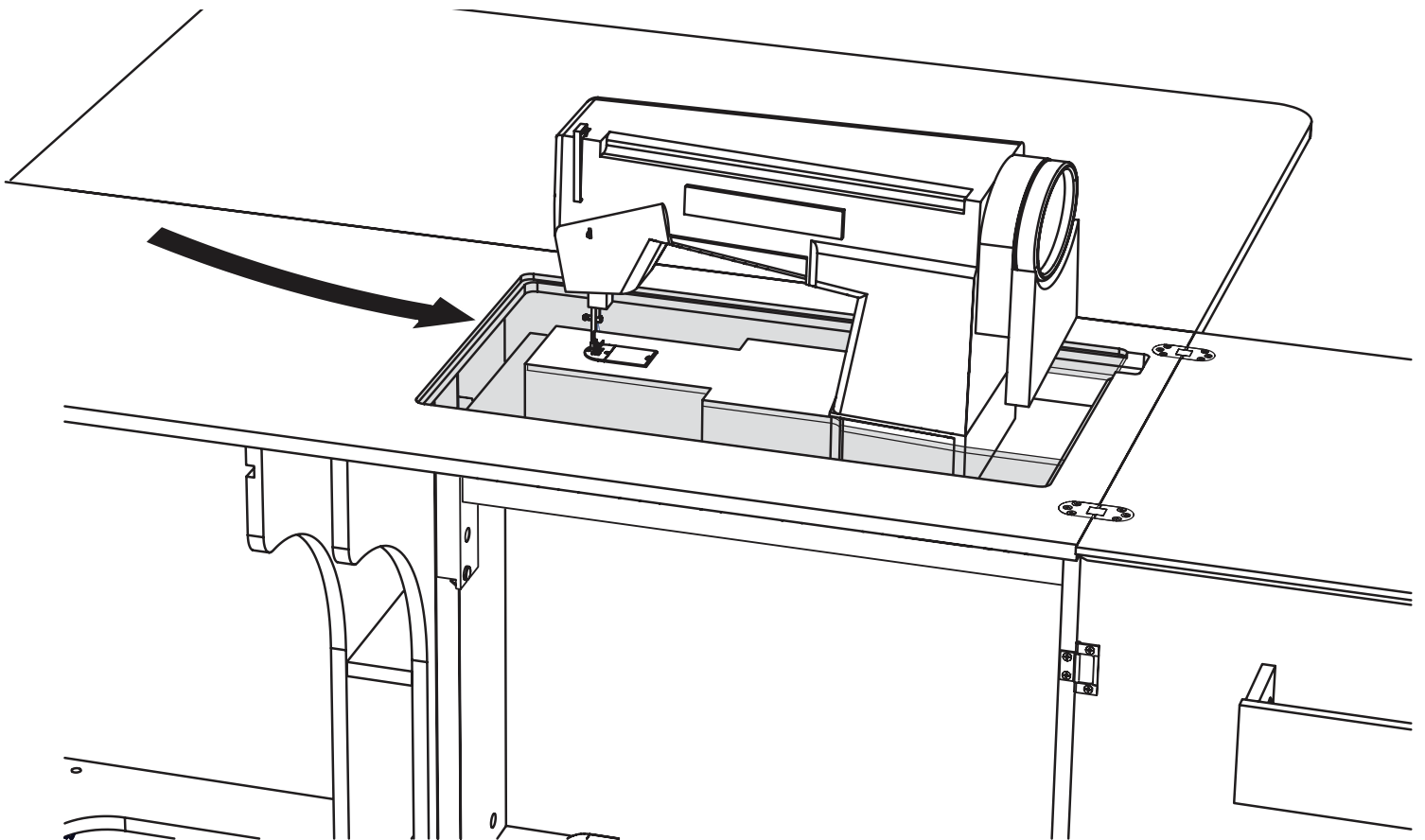
**NOTE:** Use your preset functions your own way! You can set Flatbed Position for multiple machines or preset positions for Storage or Free Arm positions. The choice is yours!

## Main Cabinet Step 8: Electric Lift Programming and Use



Use your Remote Control to move your machine up and down from across the room! Press the UP or DOWN button to move the lift, and the center STOP button to stop.

Using the control pad or the remote control, move the lift back into the flatbed position. Check to make sure that your machine is now sitting at the right height for comfortable, ergonomic flatbed sewing and adjust as necessary.



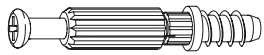
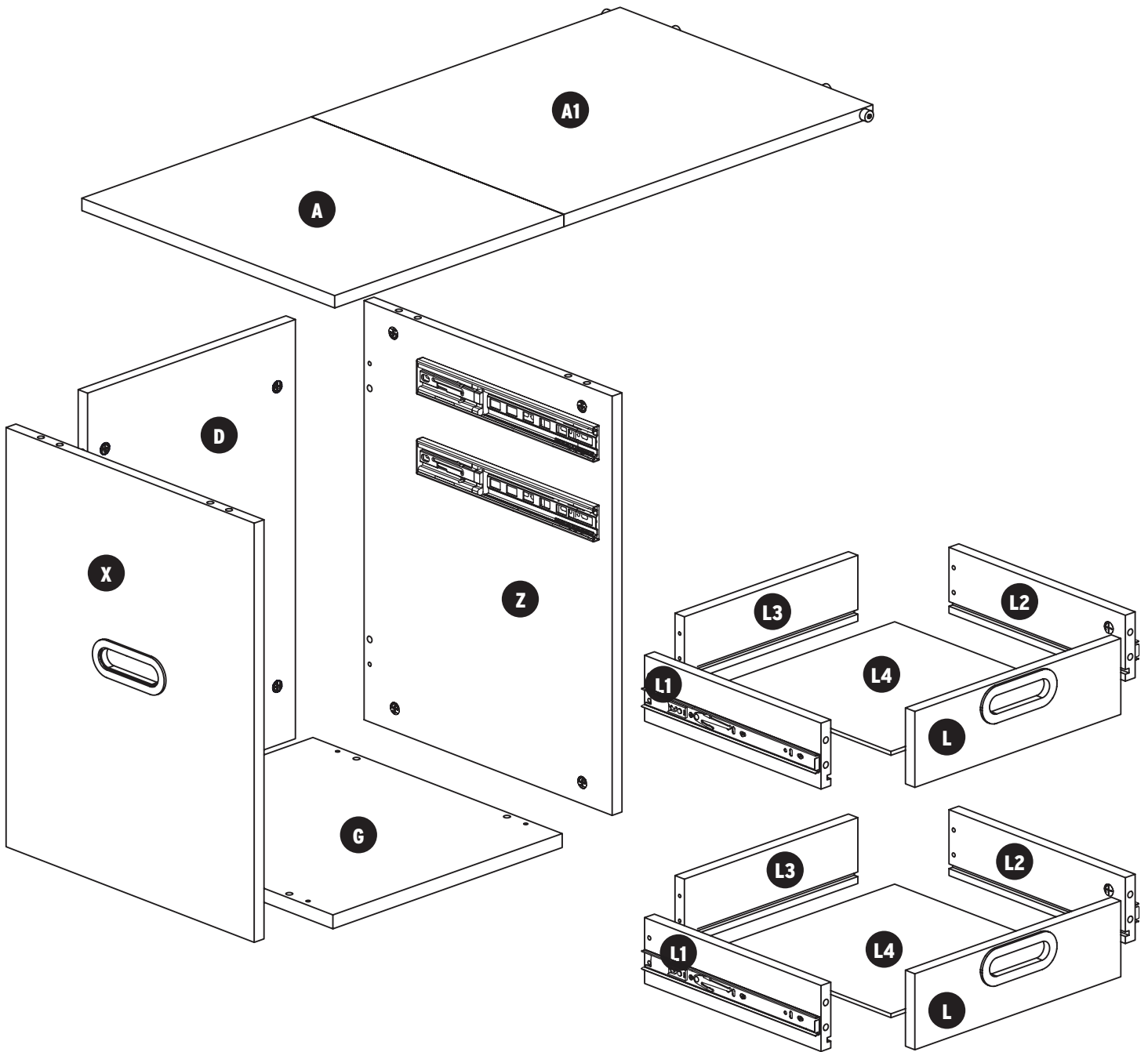
Place your Custom Acrylic Insert in the sewing well, fitting it around your machine. You now have a perfectly comfortable flat bed sewing cabinet! Say goodbye to hunched shoulders, tired wrists, and an aching back and hello to HAPPY SEWING!

To place an order for your own Custom Acrylic Insert, visit us online at [ArrowSewing.com](http://ArrowSewing.com), or contact Arrow Sewing Customer Service at 1-800-533-7347 ext 1 during normal business hours.

## Part 2: Caddy



# Caddy Panel and Hardware List



**c1** 6x35 Cam Bolt **x20**



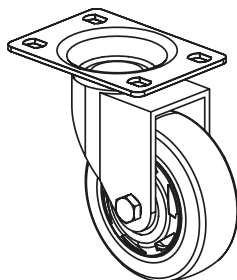
**c2** 5/8" Cam Cover **x20**



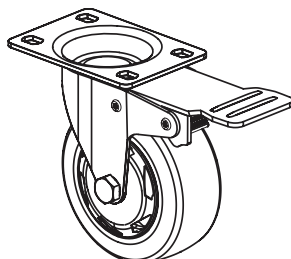
**d1** 8x30 Dowel Pin **x12**



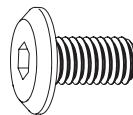
**s3** 3.5x35 Screw **x8**



**t1** Plate Caster **x2**



**t2** Locking Plate Caster **x2**

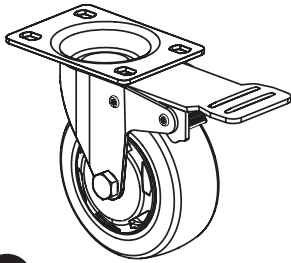


**b1** 8x16 Fix Bolt **x16**

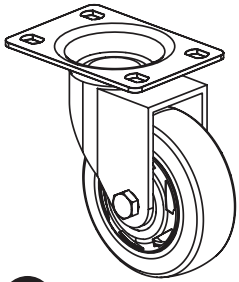


**a** Allen Wrench **x1**

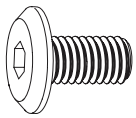
# Caddy Step 1: Base



**t2** Locking Plate Caster **x2**



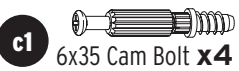
**t1** Plate Caster **x2**



**b1** 8x16 Fix Bolt **x16**

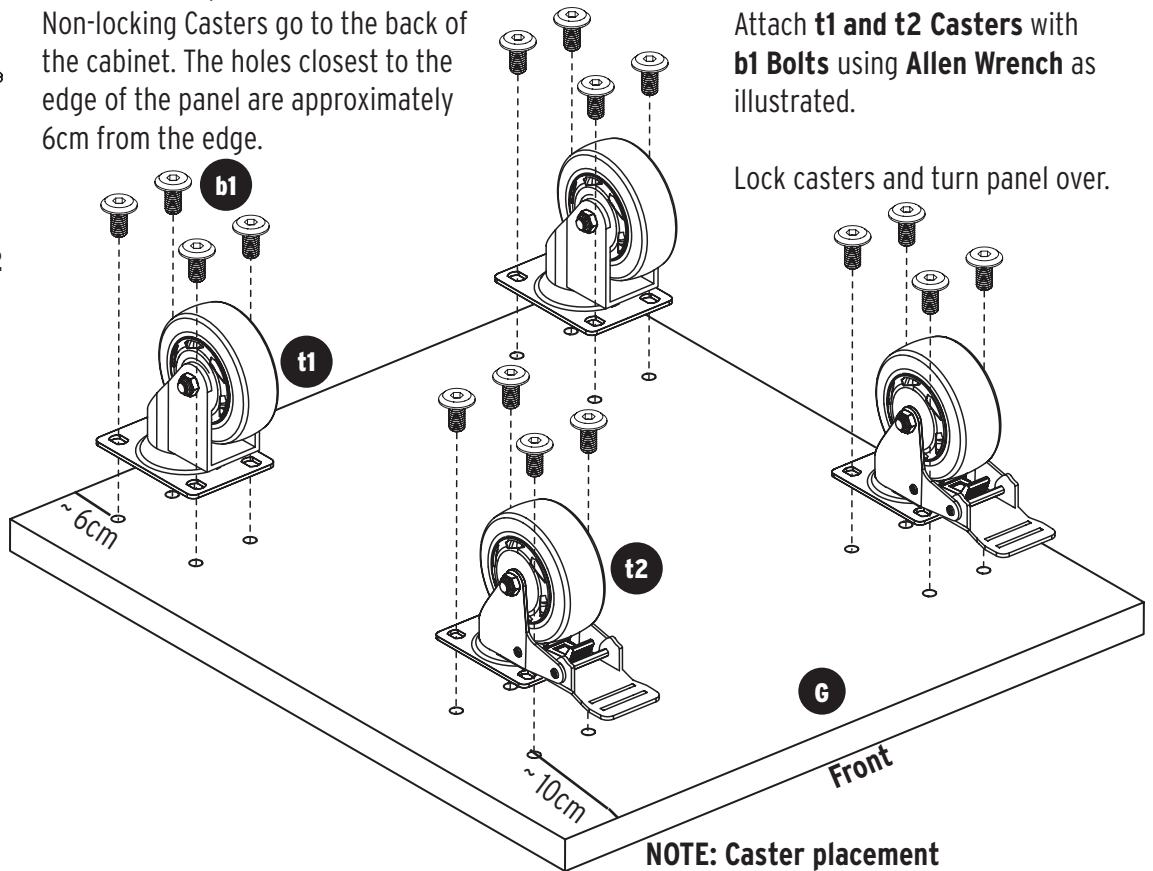


**a** Allen Wrench **x1**



**c1** 6x35 Cam Bolt **x4**

**NOTE: Caster placement**  
Non-locking Casters go to the back of the cabinet. The holes closest to the edge of the panel are approximately 6cm from the edge.



Attach **t1** and **t2** Casters with **b1** Bolts using **Allen Wrench** as illustrated.

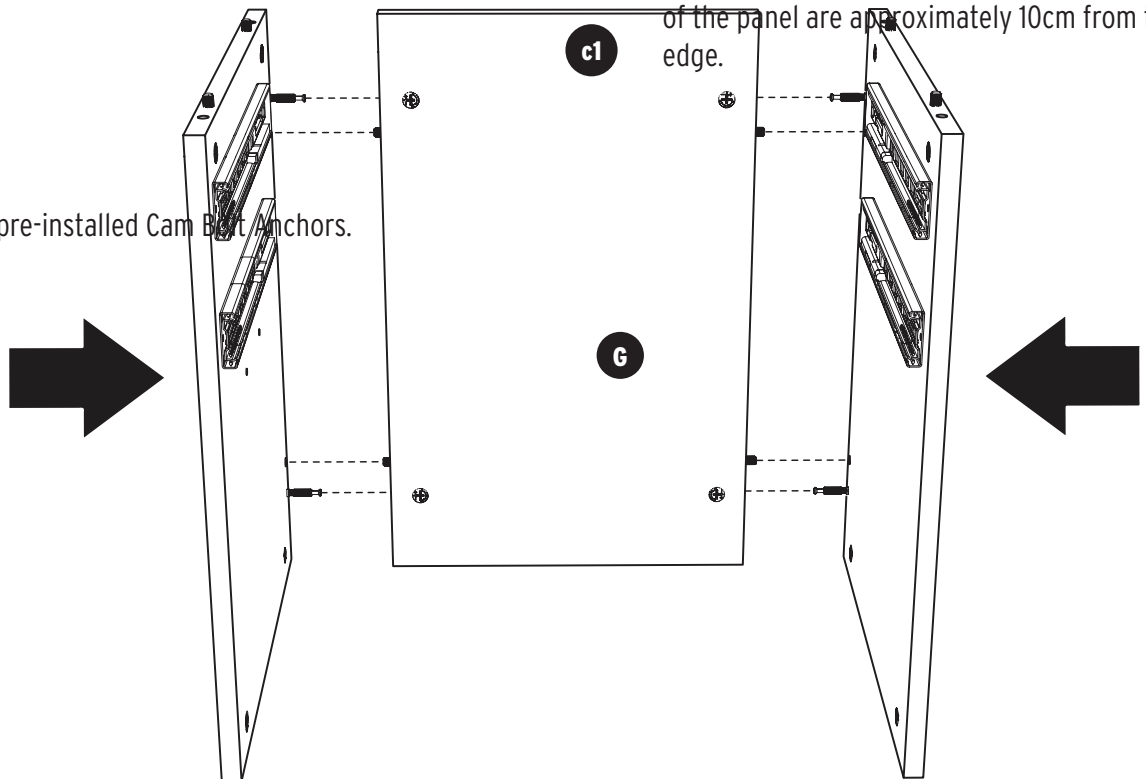
Lock casters and turn panel over.

**NOTE: Caster placement**

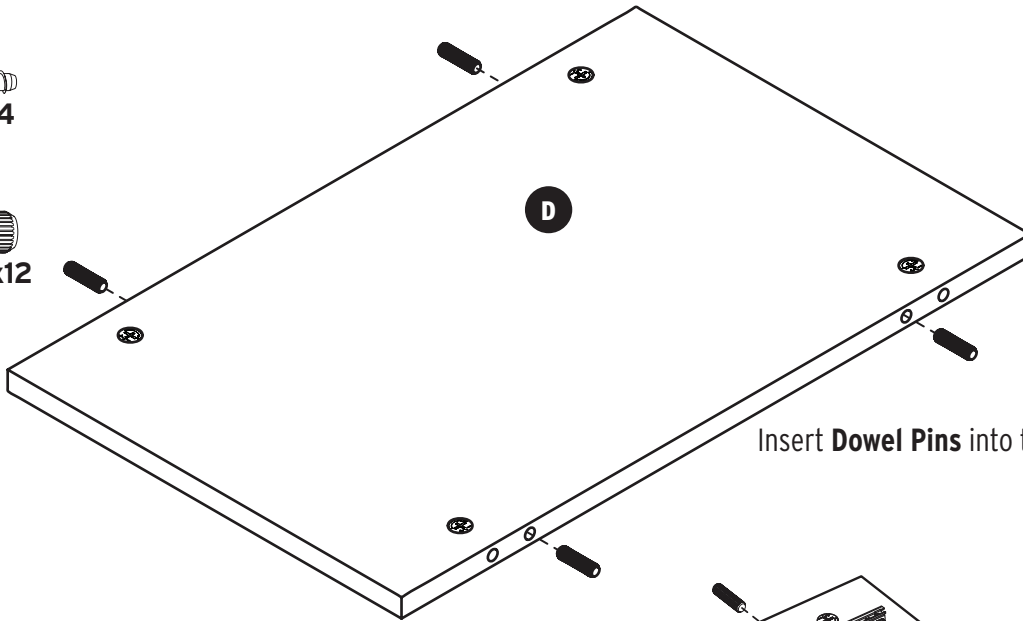
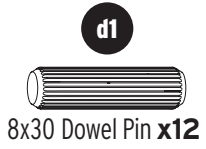
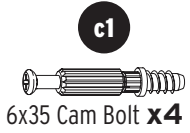
Locking Casters go to the front (drawer side) of the cabinet. The holes closest to the edge of the panel are approximately 10cm from the edge.

Insert **Cam Bolts** into pre-installed Cam Bolt Anchors.

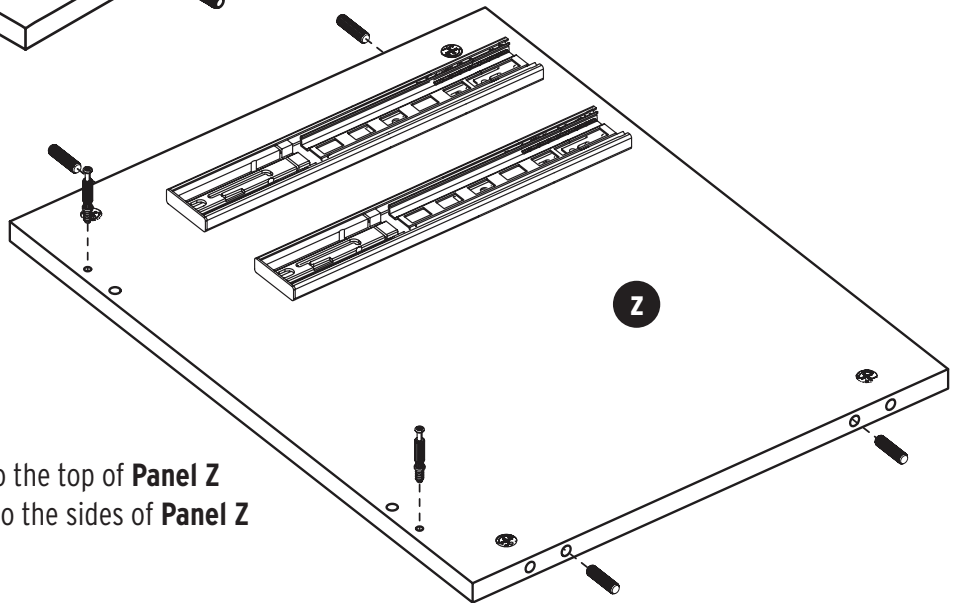
Set **Panel G** aside.



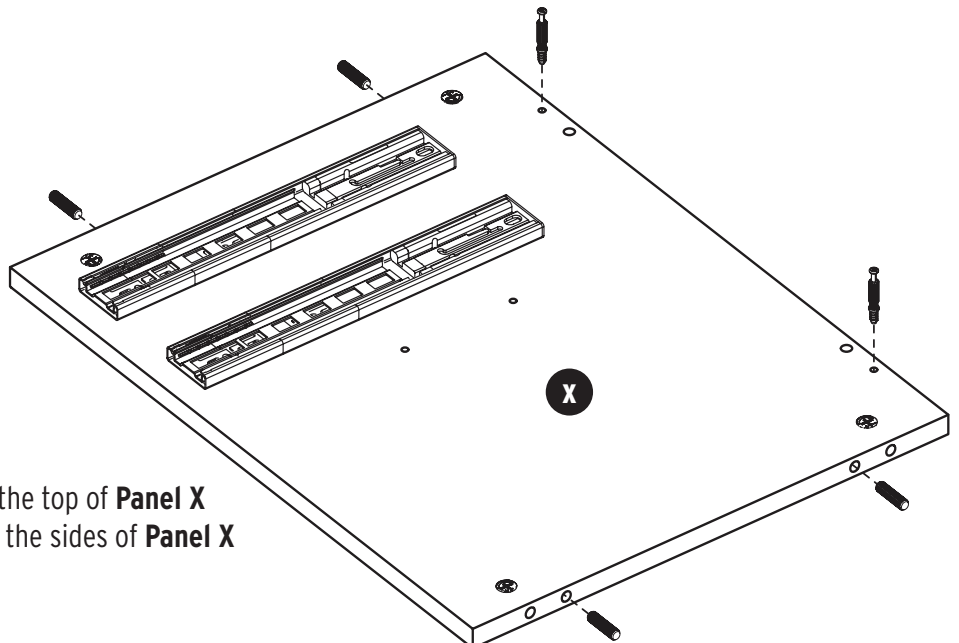
# Caddy Step 1: Base



Insert **Dowel Pins** into the sides of **Panel D**.




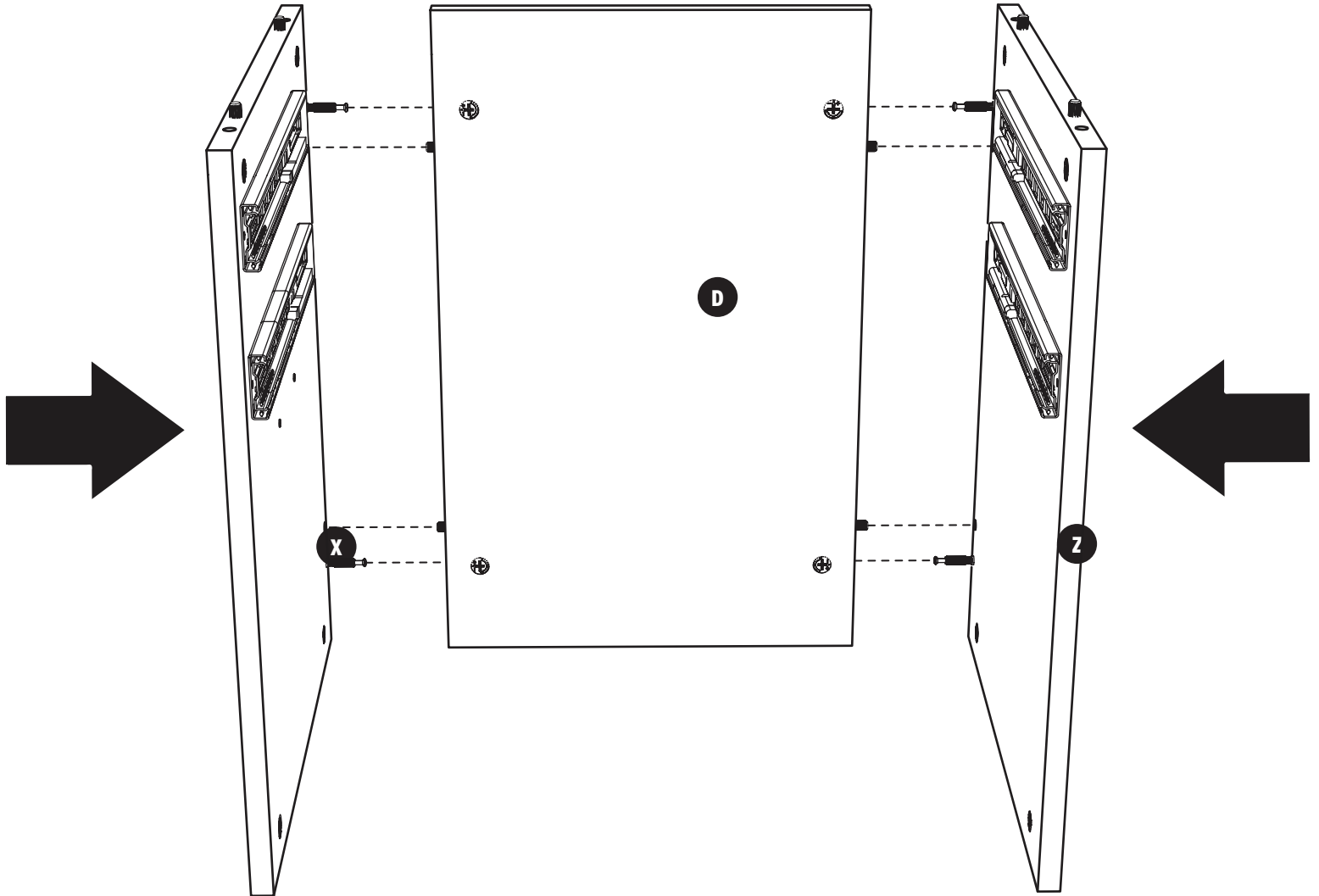
Insert **Cam Bolts** into the top of **Panel Z**  
Insert **Dowel Pins** into the sides of **Panel Z**



Insert **Cam Bolts** into the top of **Panel X**  
Insert **Dowel Pins** into the sides of **Panel X**

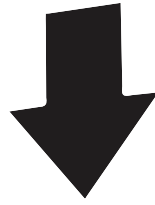
# Caddy Step 1: Base

  
c2  $\frac{5}{8}$ " Cam Cover x4

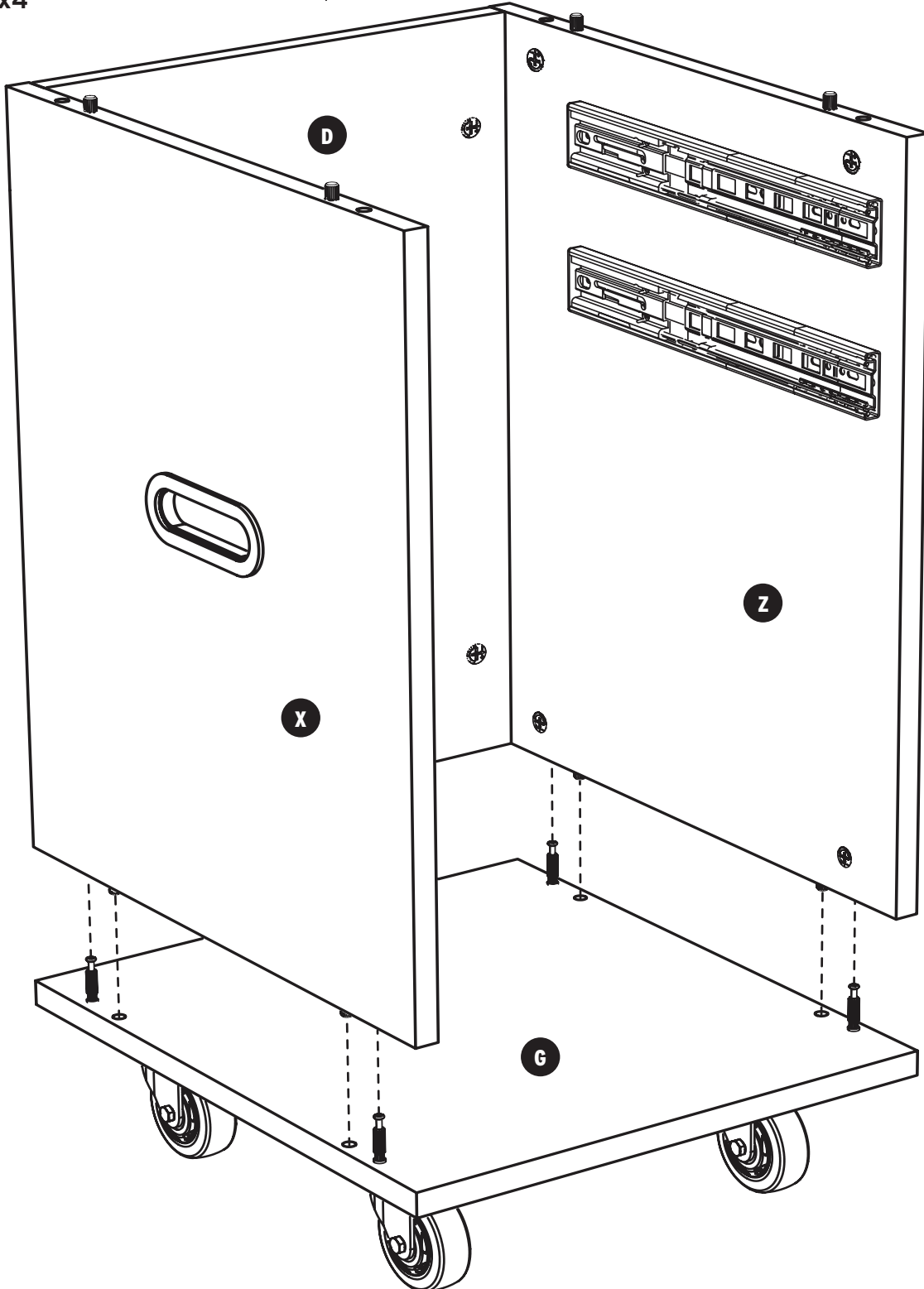


Insert Cam Bolts on **Panels X and Z** into **Panel D**. Tighten **Cam Locks** and cover with **Cam Covers**

# Caddy Step 1: Base



**c2**  $\frac{5}{8}$ " Cam Cover **x4**



Attach **Panel G** as shown, making sure that the arrow on **Panel G** faces the back of the caddy. Tighten **Cam Locks** and cover with **Cam Covers**.



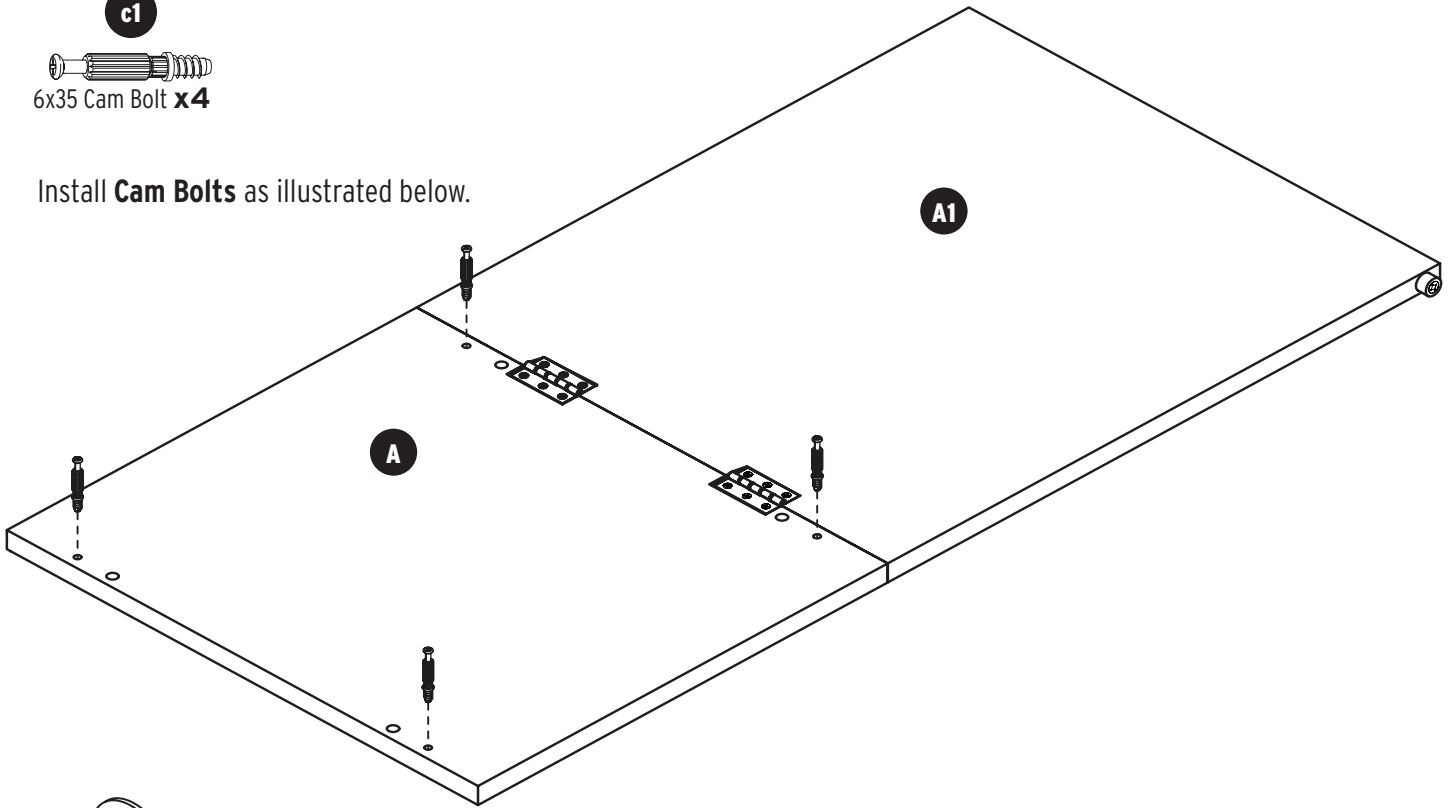
# Caddy Step 2: Top

**c1**

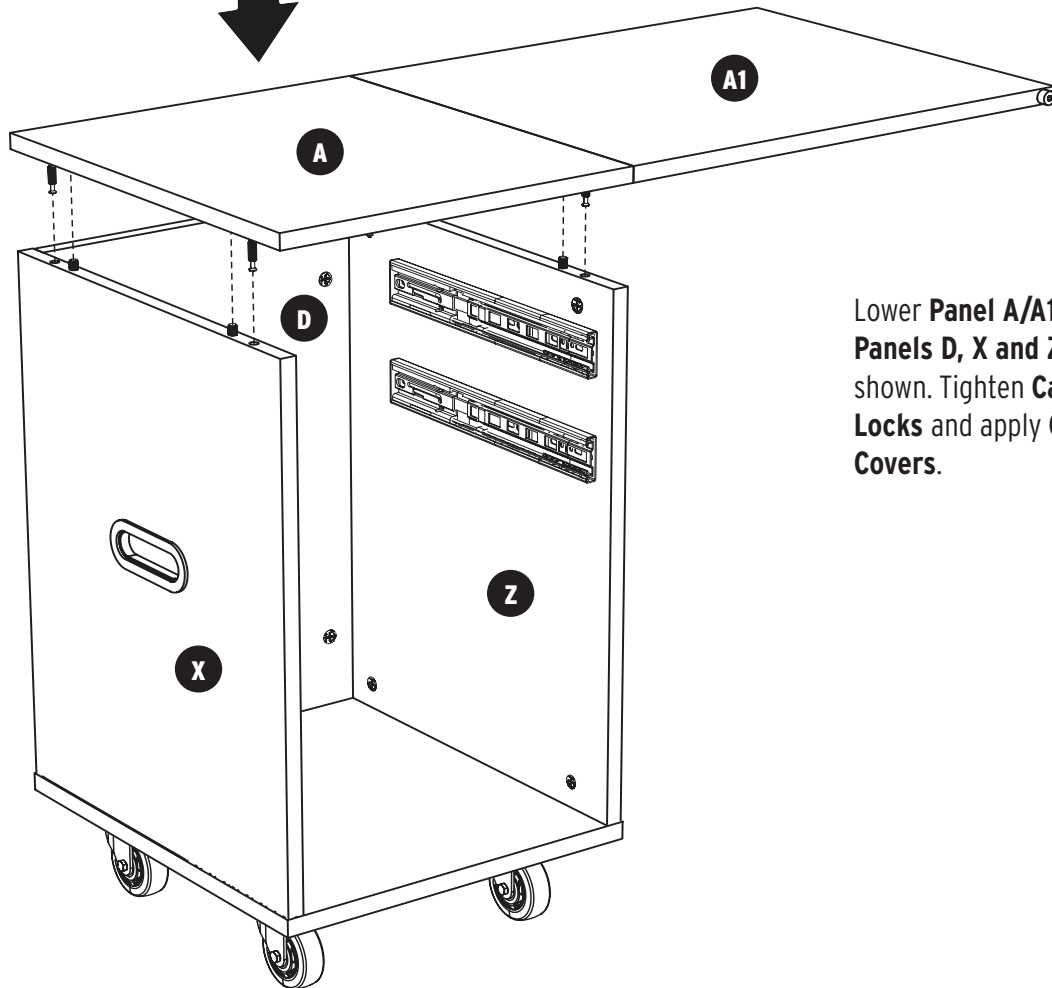


6x35 Cam Bolt **x4**

Install **Cam Bolts** as illustrated below.

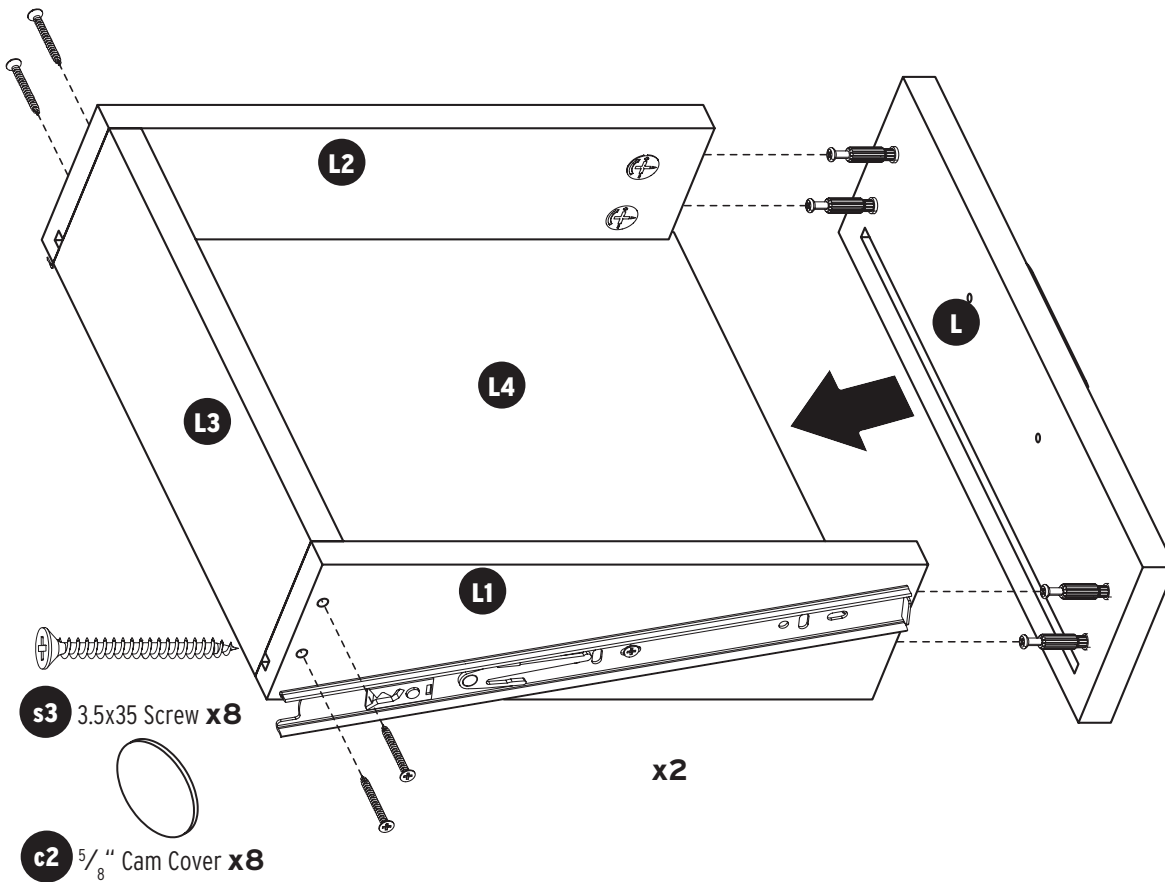


**c2**  $\frac{5}{8}$ " Cam Cover **x4**



Lower **Panel A/A1** onto **Panels D, X and Z** as shown. Tighten **Cam Locks** and apply **Cam Covers**.

# Caddy Step 3: Drawers



Remove the screws on both ends of side drawer rails on **Panels L1 and L2** to access pilot holes for drawer back.

Connect drawer **panels L1, L2 and L3** with **s3 screws**.

Slide bottom **Panel L4** into grooves on **L, L1, L2** as illustrated.

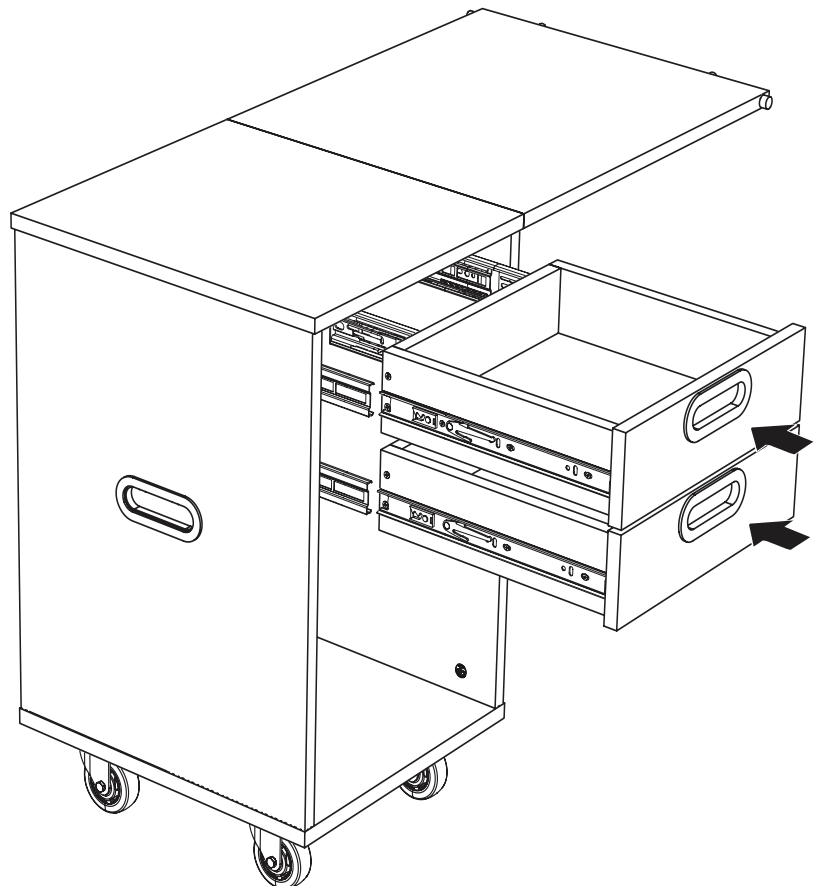
Insert **Cam Bolts** on **Panel L** into drawer side **Panels L1 and L2**; tighten cam locks and cover with **Cam Covers**.

Reattach drawer rails by reinstalling their screws.

Fully extend the cabinet drawer rails, align drawer rails, and slide drawers into caddy.

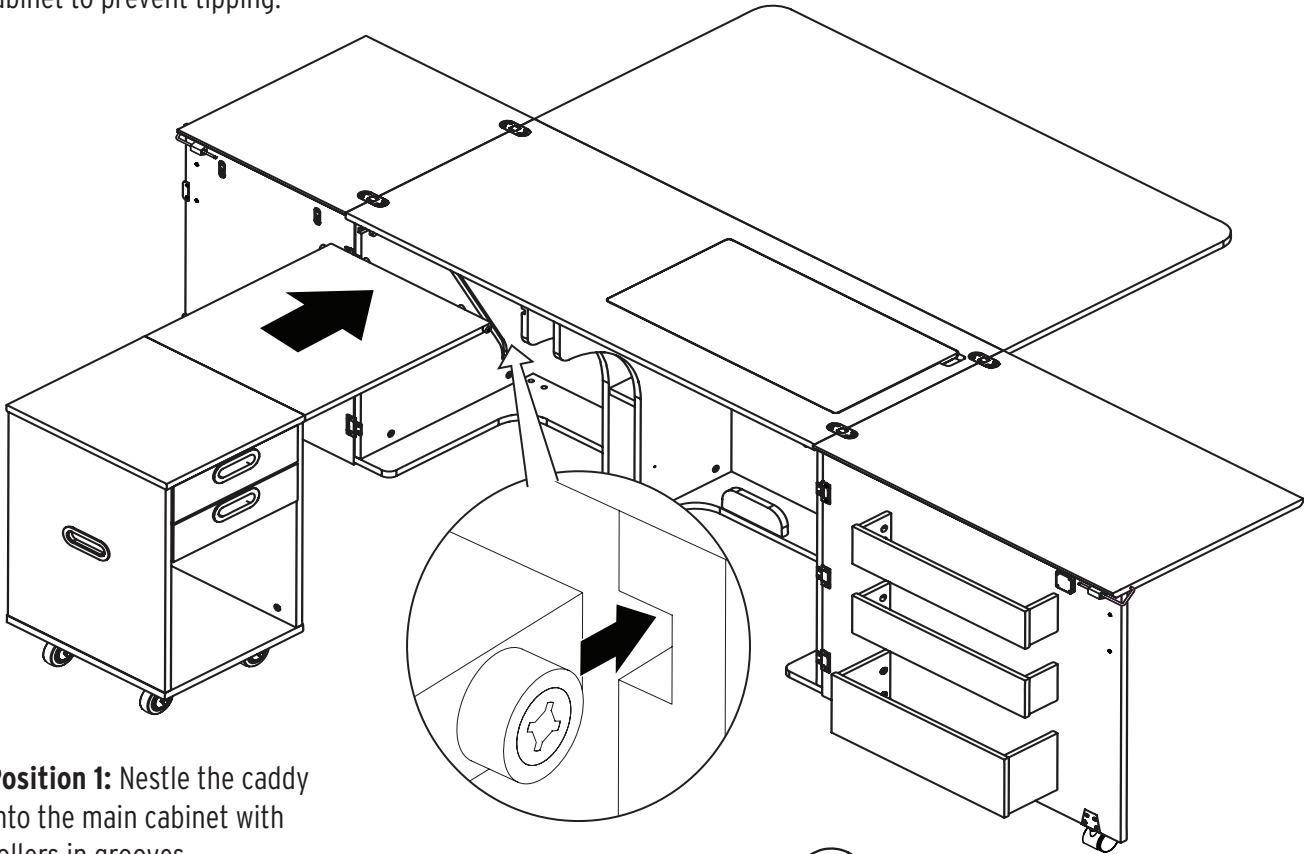
**TIP:** Gently open and close the drawers a few times to engage the Soft Close mechanism.

**WARNING: CADDY IS PRONE TO TIPPING WHEN NOT ATTACHED TO THE MAIN CABINET.** Always have your Caddy anchored to your cabinet to prevent tipping.

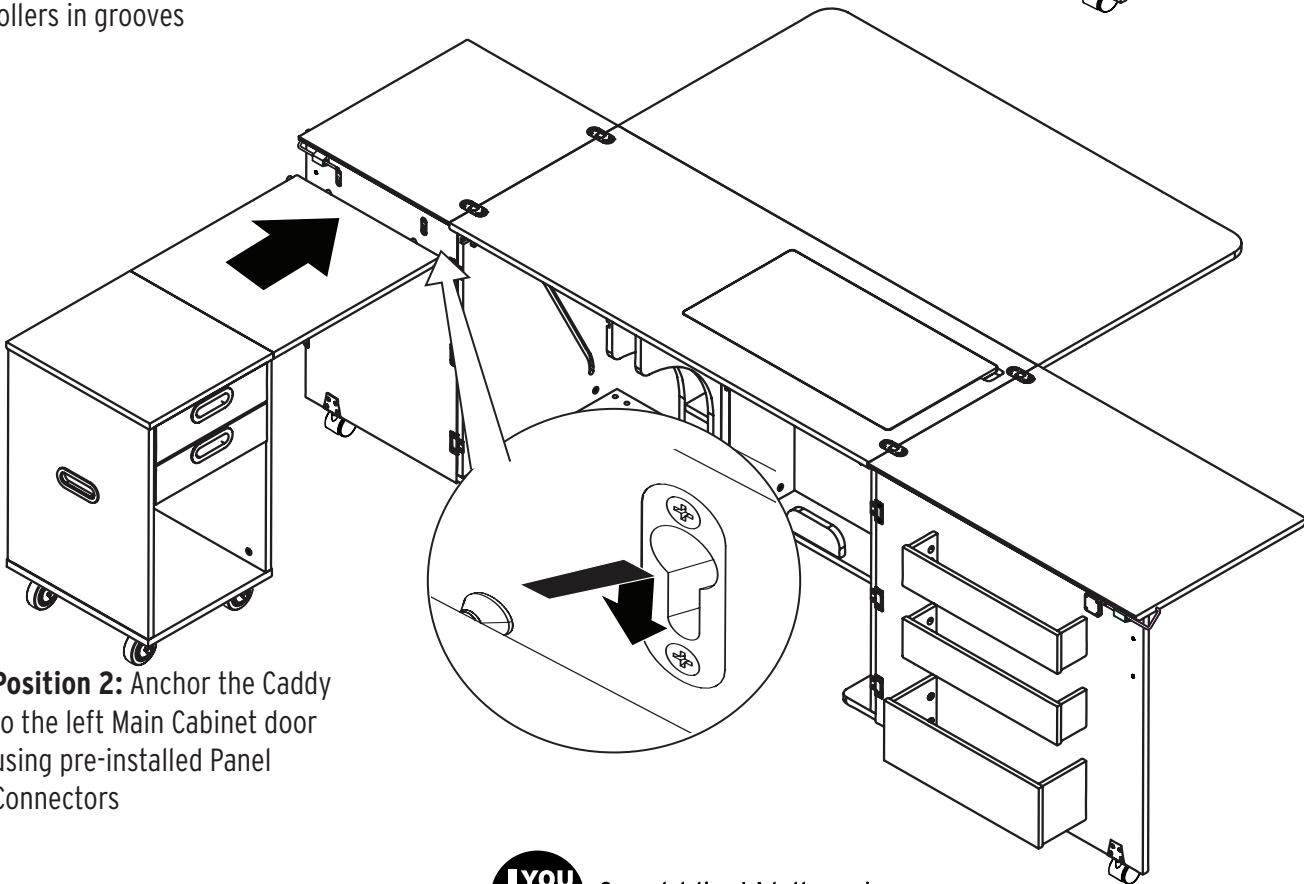


# Caddy Positioning

Your caddy can be positioned in either of the configurations shown below. Be sure to always have the caddy attached to the cabinet to prevent tipping.



**Position 1:** Nestle the caddy into the main cabinet with rollers in grooves



**Position 2:** Anchor the Caddy to the left Main Cabinet door using pre-installed Panel Connectors



Congratulations! A better sewing experience awaits!



KANGAROO™  
sewing furniture

## LIMITED LIFETIME WARRANTY

Kangaroo™ Sewing Furniture Limited Lifetime Warranty

**WHAT THIS WARRANTY COVERS:** Arrow Companies, LLC "Arrow" provides a Limited Lifetime Warranty "Warranty" to the original purchaser of this product against defects in materials or workmanship of furniture components. As used in this Warranty, "defect" means imperfections in components which substantially impair the utility of the product. This Warranty gives you specific legal rights, and you may also have other rights which vary from state to state. Electrical and mechanical components of furniture are warranted for 5 years.

**HOW TO GET SERVICE:** Simply contact Arrow at 1-800-533-7347 or CS@ArrowSewing.com. When you request Warranty service, you must also present proof of purchase documentation, which includes the date of purchase (detailed receipt), and photos of the product. Arrow will replace any defective part (at its sole option), excluding labor. Replacement parts will be warranted for only the remaining period of the original Warranty.

Replacement parts will be shipped freight prepaid on any initial Warranty claim during first year of Warranty only. Warranty applies only to defects confirmed by Arrow and will be replaced or repaired at Arrow's option. In the event parts are no longer available for a Warranty claim, customer may receive a brand new cabinet at a price equal to 60% off the MSRP of a current comparable model.

**WHAT'S NOT COVERED:** There is no Warranty coverage for defects or conditions that result from the following: Failure to follow product assembly instructions, information or warnings; misuse or abuse; intentional damage; fire, flood, alteration or modification of the product; use of the product in a manner inconsistent with its intended use; any condition resulting from incorrect or inadequate maintenance, cleaning, care or neglect; cuts or scratches; caster damage as a result of moving furniture fully loaded or with locked casters; damage resulting from electrical surge or lightning; or use in commercial or education environments. Arrow Sewing Furniture is designed for residential use only.

ARROW SHALL HAVE NO LIABILITY for ANY INCIDENTAL OR CONSEQUENTIAL DAMAGES OF ANY KIND and all such damages are EXCLUDED FROM THIS Warranty, such as loss of use, disassembly, transportation, labor, or damage to property on or near the product. Some states do not allow the exclusion or limitation of incidental or consequential damages, so the above limitation or exclusion may not apply to you. The Warranty cannot be transferred to subsequent owners or users of the product, and it shall be immediately void in the event the product is resold, transferred, leased or rented to any third party or person other than the original purchaser.

**ADDITIONAL LIMITATIONS:** THERE ARE NO OTHER WARRANTIES APPLICABLE TO THIS PRODUCT. Under the laws of certain states, there may be no implied warranties from Arrow and all implied warranties, INCLUDING ANY IMPLIED Warranty OF MERCHANTABILITY OR FITNESS FOR A PARTICULAR PURPOSE are disclaimed where allowed by law. TO THE EXTENT ANY IMPLIED WARRANTIES ARE APPLICABLE, ANY IMPLIED WARRANTIES, INCLUDING ANY IMPLIED Warranty OF MERCHANTABILITY OR FITNESS FOR A PARTICULAR PURPOSE, ARE LIMITED IN DURATION TO THE DURATION OF THIS EXPRESS Warranty or the minimum period allowed by law, whichever is shorter. Some states do not allow limitations on how long an implied Warranty lasts, so the above limitation may not apply to you. This limited Warranty gives you specific legal rights. This limited Warranty does not, in any way, affect the rights given to you by law.

**REGISTER YOUR PRODUCT:** Original purchaser should register the purchase online at [www.ArrowSewing.com/Warranty](http://www.ArrowSewing.com/Warranty).

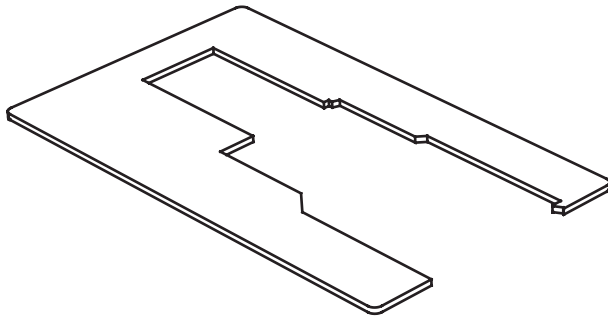
SEW IN COMFORT. SEW LONGER.™



## Accessories to Complete Your Sewing Studio

### Custom Insert

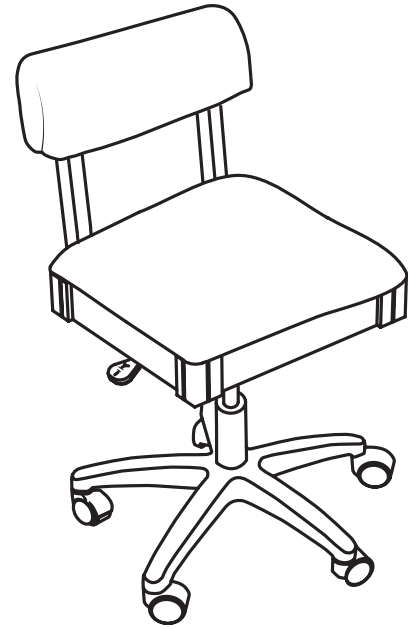
Enhance your sewing experience with a custom acrylic sewing insert! Custom acrylic sewing inserts are designed to fill the gap between your sewing machine and sewing cabinet's lift opening to create a flush, ergonomic surface for flat bed sewing. To ensure a perfect fit, custom acrylic sewing inserts are built specifically for your sewing machine and sewing cabinet combination. Say hello to happy wrists, straighter stitches, and an elevated sewing experience!



Insert

### Arrow Sewing Chairs

Arrow's #1 Rated Height Adjustable Sewing Chair is a must have accessory for your dream sewing room! Cute, comfortable and convenient - our lovable sewing chairs feature vibrant sewing themed patterns, 360 swivel access and lumbar support for long hours at your workstation. Don't look now, but under every seat cushion is a hidden storage compartment to store your notions and patterns! Available in 10 colors to perfectly match your sewing sanctuary!



Height Adjustable Sewing Chair

P.O. Box 410 Elkhorn, WI 53121  
1-800-533-7347 Ext. 1  
CS@ArrowSewing.com  
www.ArrowSewing.com

02-22