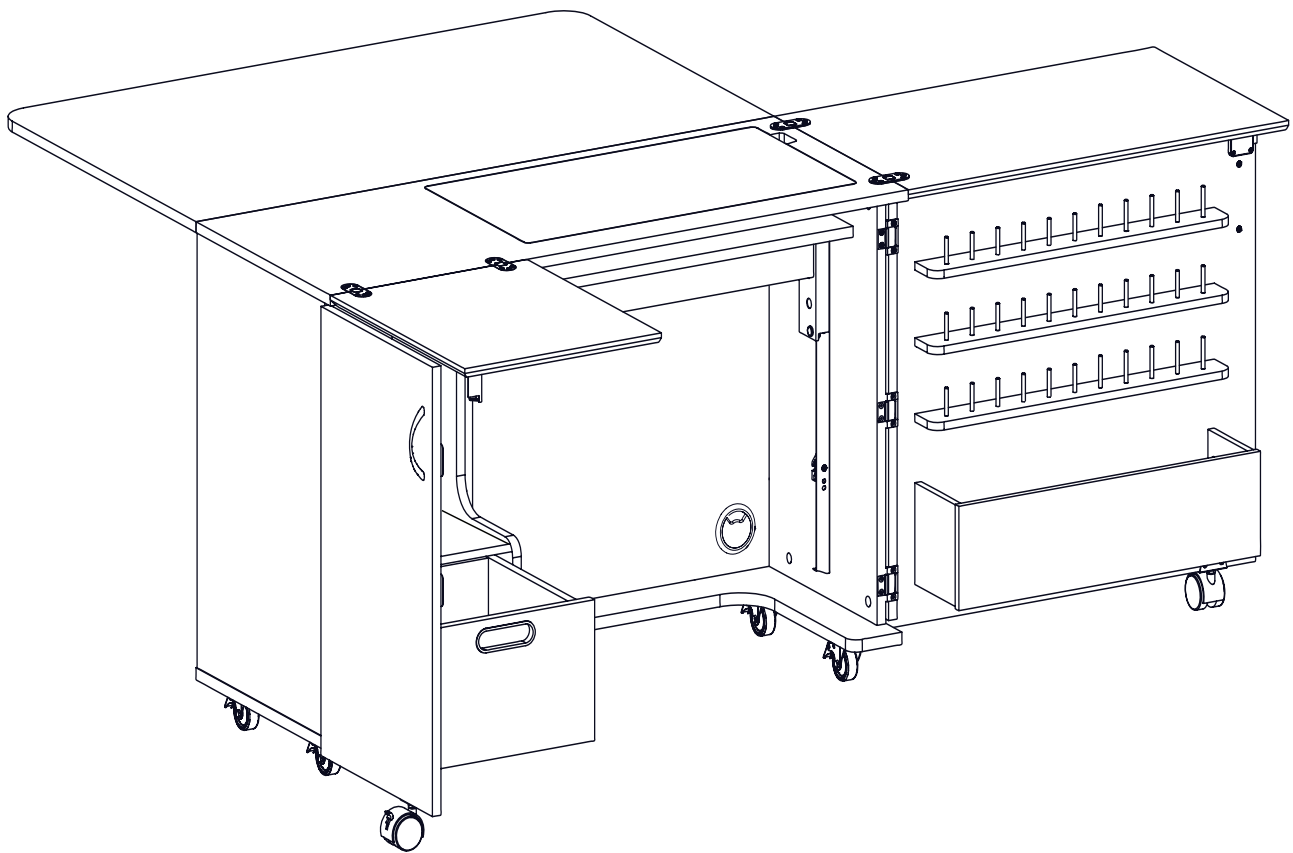




ASSEMBLY INSTRUCTIONS

Wallaby

ITEM NO.:	K8405	Hydraulic Lift - Teak
	K8411	Hydraulic Lift - Ash White
	K8405EL	Electric Lift - Teak
	K8411EL	Electric Lift - Ash White



General Assembly Guidelines

1. Read the instructions carefully before beginning the assembly process to ensure proper assembly of this product. Please open and inspect the contents of box(es) to see that all parts and hardware are included.

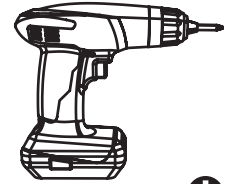
2. Tools Required



Phillips Screwdriver ⊕

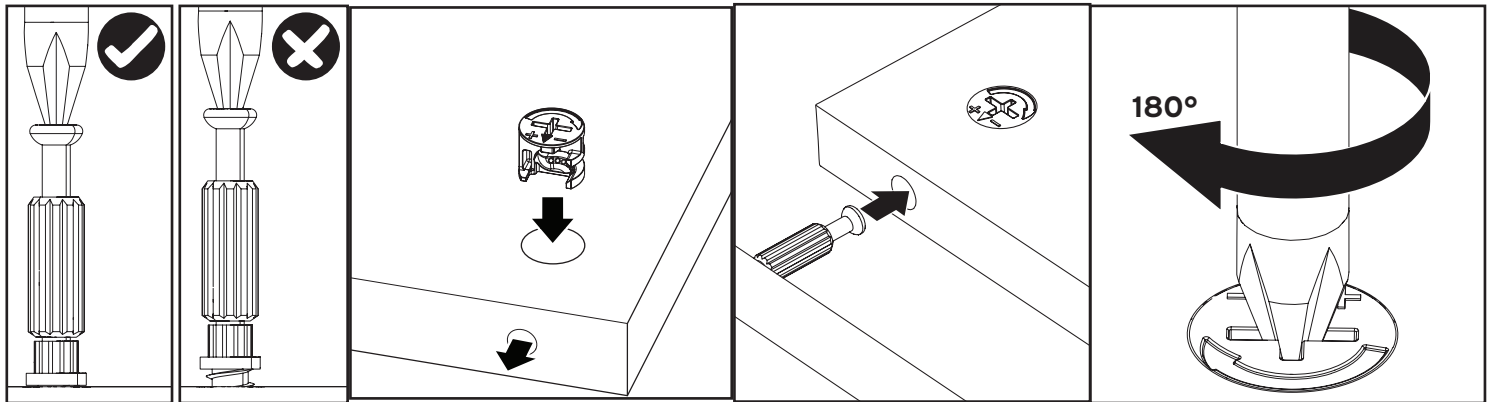


Hammer



Electric Screwdriver ⊕

3. Understanding How the Cam Fastener Works



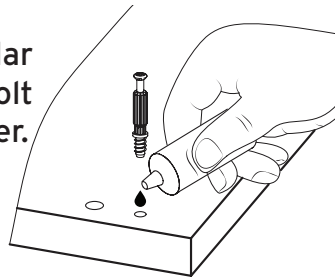
Screw cam bolts flush as illustrated.

Press cam into hole until flush with surface. The arrow direction must be in the direction of the hole.

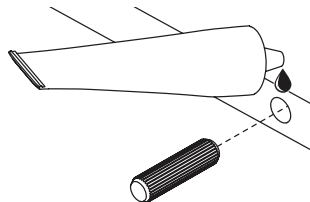
Insert bolt through pre-drilled hole in edge of panel.

Turn clockwise to lock cam with bolt.

Tip: place a small bit of WD-40 or similar lubricant into the pre-installed cam bolt holes to help the cam bolts screw in better.



4. **Glue** provided is to secure wood dowels in place and is optional. If glue is used during assembly, locate the appropriate hole for the dowel, place a small amount of glue in the hole and insert the dowel. Wipe away excess glue immediately. It is not necessary to glue the other end of the dowel when attaching to other parts.

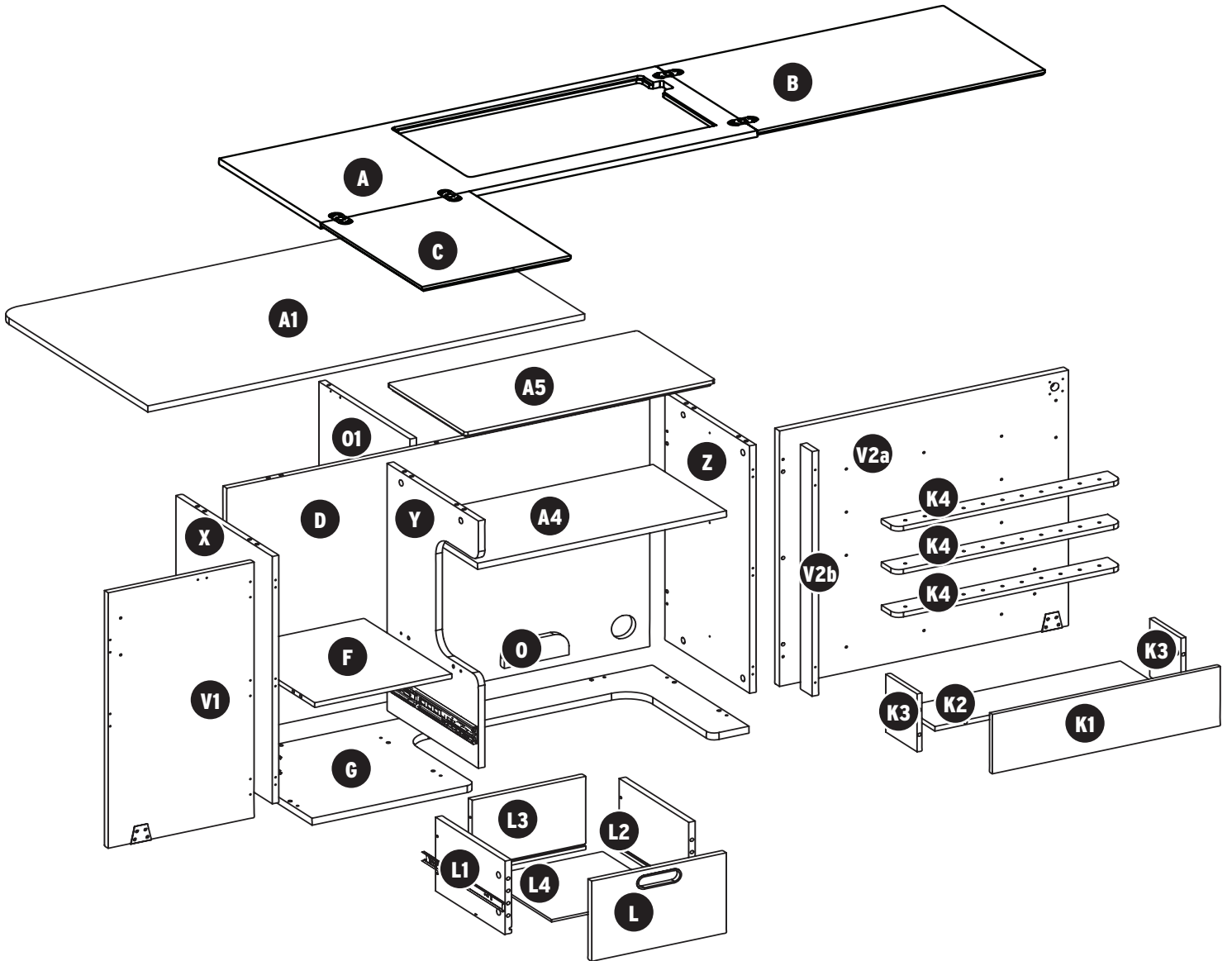


Use and Care Your cabinet normally requires a minimum amount of maintenance; however, the following points are worth noting:

Cleaning - To remove marks and enhance the surface, wipe with a gentle all-purpose cleanser. **DO NOT** use ammonia-based, harsh chemicals or abrasive cleaning agents. Wipe dry immediately.

Electrical and Hydraulic Lifts - Require annual lubrication with WD-40 or similar lubricant.

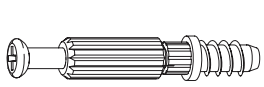
Parts List: Panels



ITEM	DESCRIPTION	QTY.	PACK.	ITEM	DESCRIPTION	QTY.	PACK.
A	Top Panel	1	3 of 4	V2b	Right Door Edge Panel	1	1 of 4
B	Right Leaf	1	3 of 4	L	Drawer Front	1	1 of 4
C	Left Leaf	1	3 of 4	L1	Drawer Side Left	1	1 of 4
A5	Platform Cover	1	3 of 4	L2	Drawer Side Right	1	1 of 4
G	Bottom Panel	1	3 of 4	L3	Drawer Back	1	1 of 4
D	Back Panel	1	2 of 4	L4	Drawer Bottom	1	1 of 4
Z	Right Side Panel	1	2 of 4	O	Insert Holder	1	1 of 4
A1	Quilt Extension Panel	1	2 of 4	O1	Gate Leg	1	1 of 4
V1	Left Door Panel	1	2 of 4	K1	Door Bin Front Panel	1	1 of 4
V2a	Right Main Door Panel	1	1 of 4	K2	Door Bin Bottom Panel	1	1 of 4
X	Left Side Panel	1	1 of 4	K3	Door Bin Sides	2	1 of 4
Y	Partition	1	1 of 4	K4	Fixed Shelf On Door	3	1 of 4
F	Fixed Shelf	1	1 of 4	A4	Platform	1	1 of 4
					Lift & Rails	1	4 of 4

Parts List: Hardware

TIP: Keep all the parts in their individually labeled bags. This will make finding parts easier as you assemble your cabinet.



c1 6x35 Cam Bolt **x32**



c2 5/8" Cam Cover **x57**



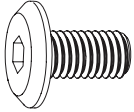
c3 6x25 Cam Bolt **x25**



d1 8x30 Dowel Pin **x32**



d2 6x50 Dowel Pin **x33**



b1 8x16 Fix Bolt **x20**



b2 4x20 Fix Bolt **x4**



s1 3.5x14 Screw **x54**



s2 3x14 Screw **x26**



s3 3.5x35 Screw **x4**



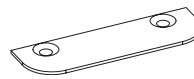
s4 3x20 Screw **x4**



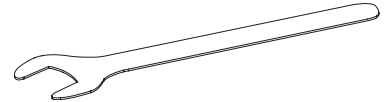
a Allen Wrench **x1**



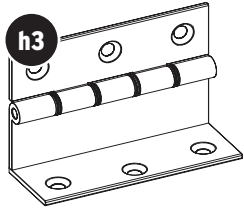
h Handle **x2**



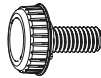
d3 Door Plate **x2**



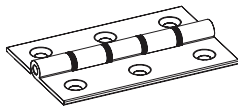
r3 14mm Wrench **x1**



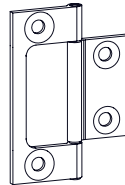
h3 Flap Hinge **x3**



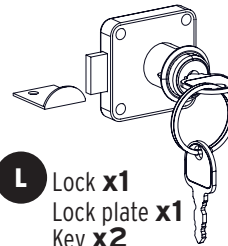
s5 Alignment Pin **x1**



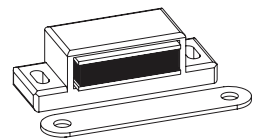
h1 Butt Hinge **x2**



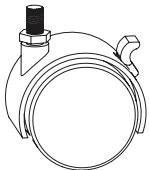
h2 Flush Hinge **x6**



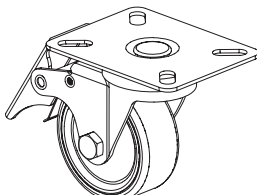
L Lock **x1**
Lock plate **x1**
Key **x2**



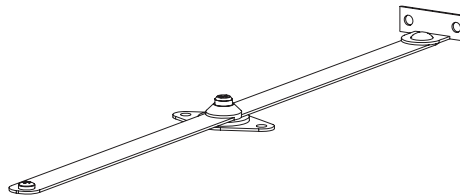
m Magnet **x1**
Catch plate **x1**



t1 Caster **x3**



t2 Locking Plate Caster **x5**

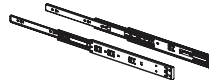


s Stay Arm **x1**

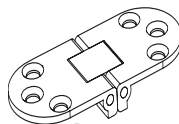
Pre-installed parts



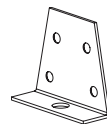
c5 Cam



Drawer Runners



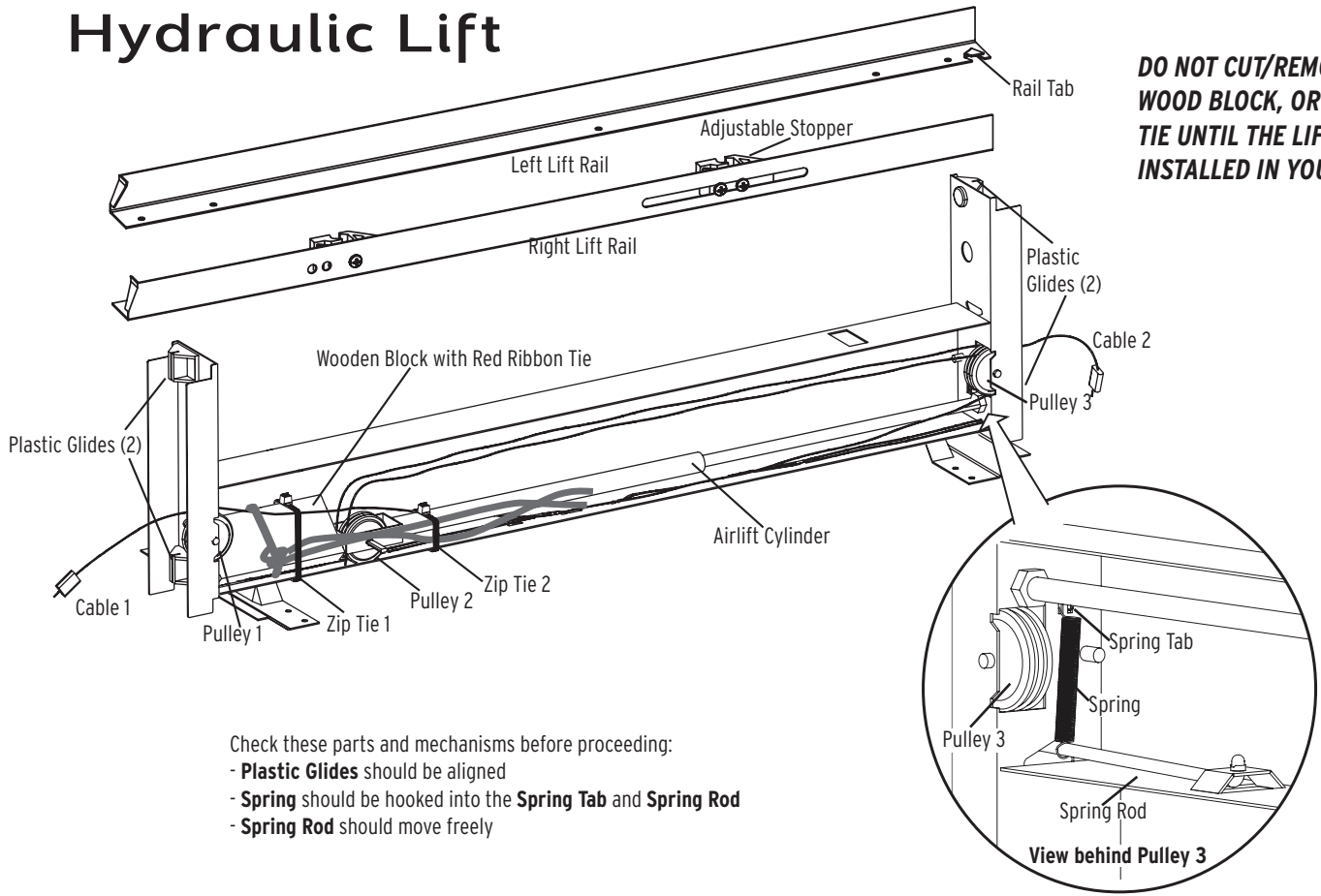
h4 Snag Free Hinge



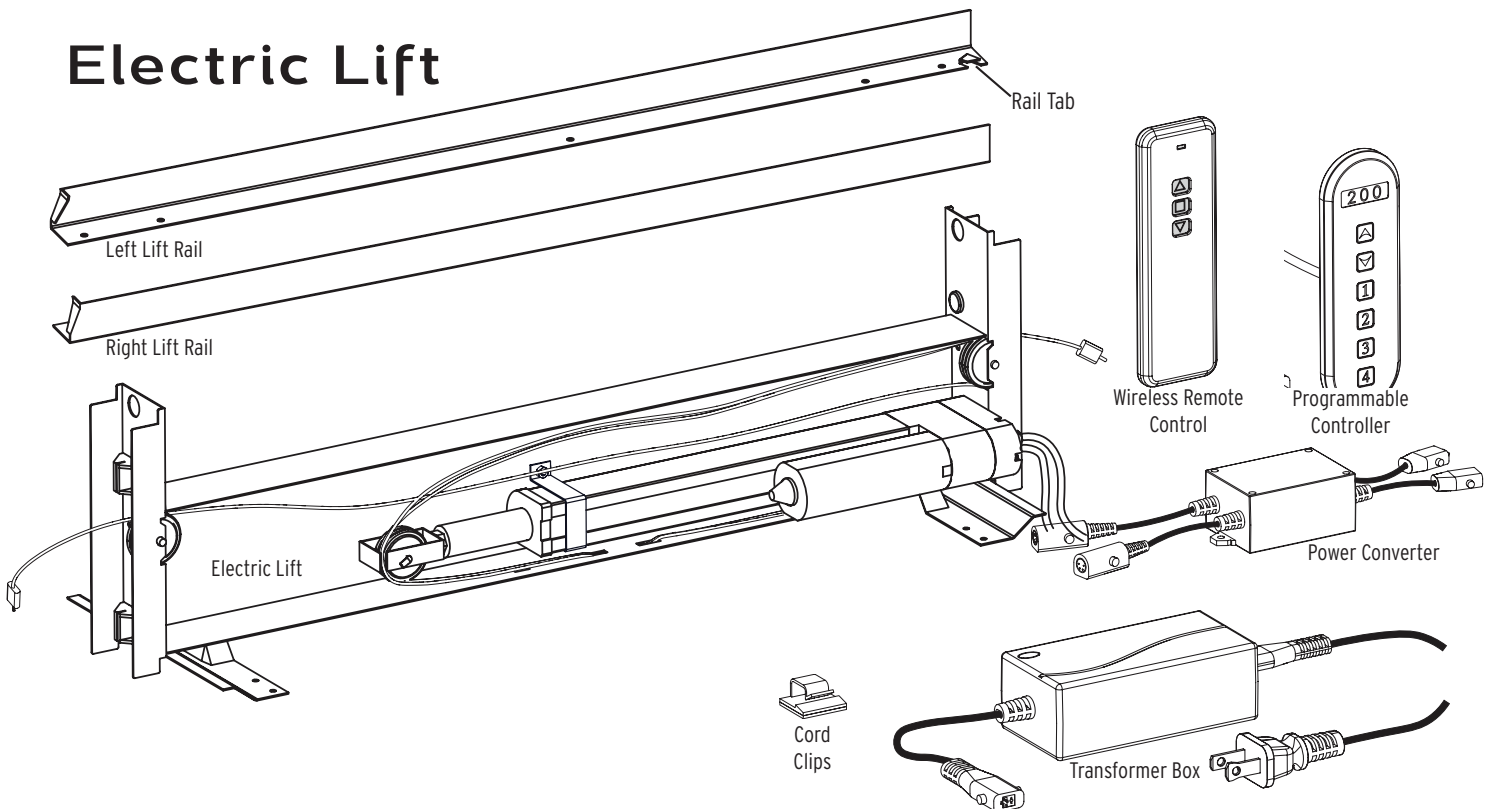
Caster Bracket

Parts List: Lifts

Hydraulic Lift



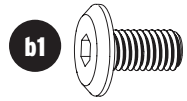
Electric Lift



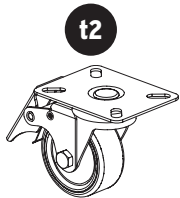
NOTE: Lift, Power Converter, Transformer Box and Programmable Controller arrive fully hooked up. You will need to disconnect all cords in order to install, and then re-engage cord connections once lift installation is complete.

Step 1: Cabinet Base

We can't wait to get your brand new Wallaby Sewing Cabinet up and running. Please contact our Customer Service Team at 1-800-533-7347, ext. 1 during normal business hours with any assembly related questions.



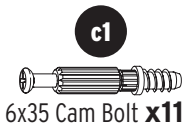
b1
8x16 Fix Bolt **x20**



t2
Locking Plate
Caster **x5**



a
Allen Wrench **x1**



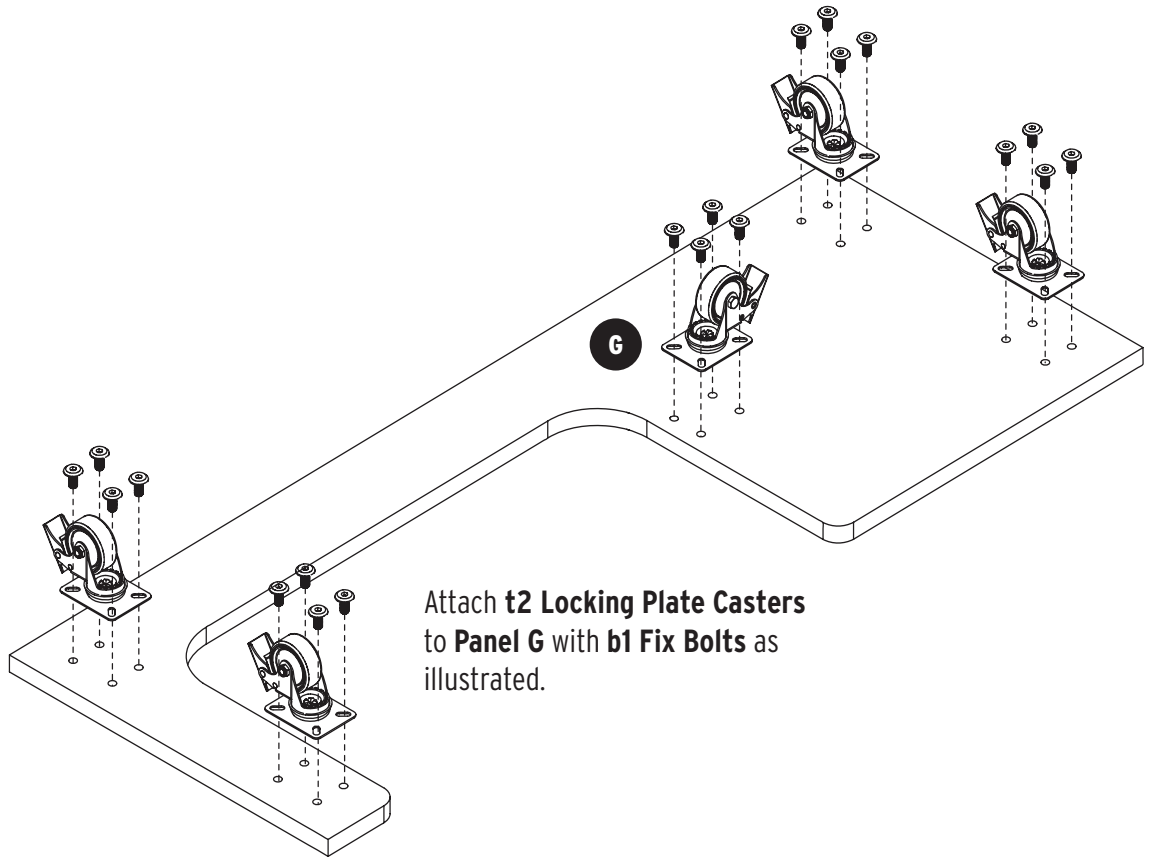
c1
6x35 Cam Bolt **x11**



d1
8x30 Dowel Pin **x2**



c2
5/8" Cam Cover **x2**

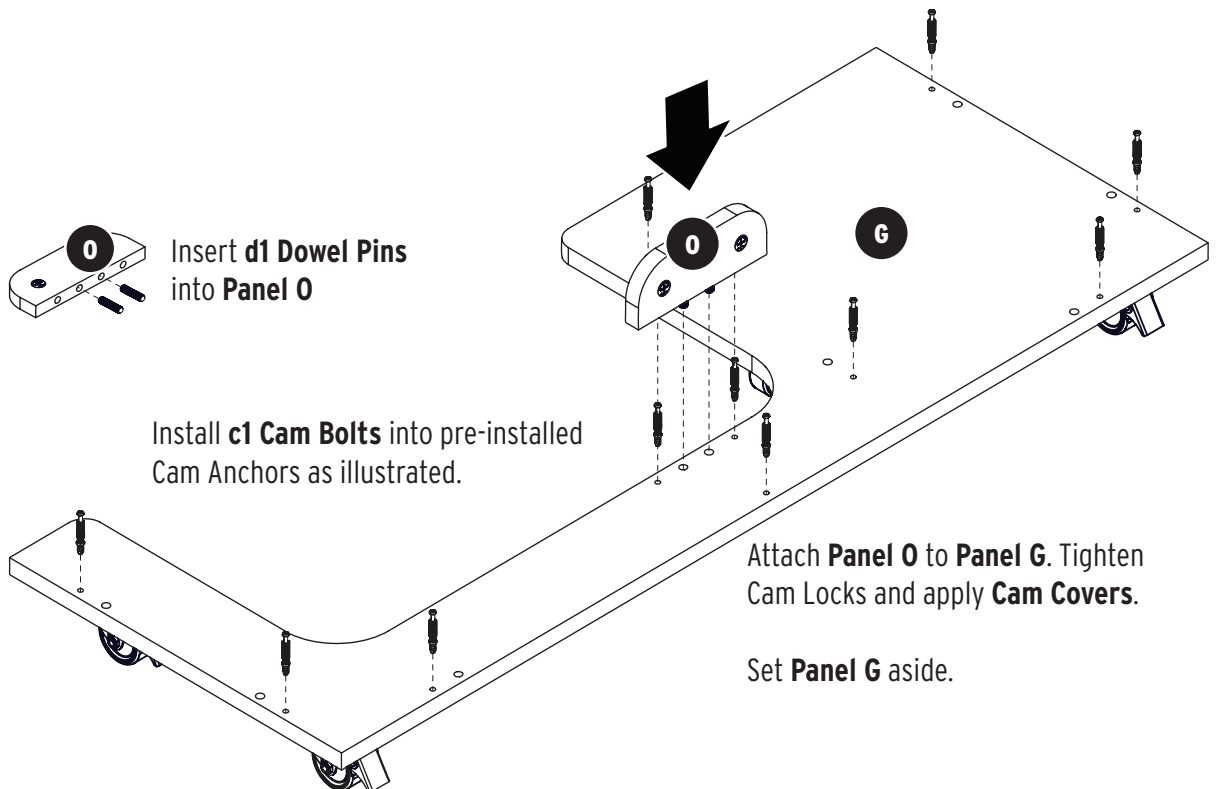


Attach **t2 Locking Plate Casters** to **Panel G** with **b1 Fix Bolts** as illustrated.



Insert **d1 Dowel Pins** into **Panel O**

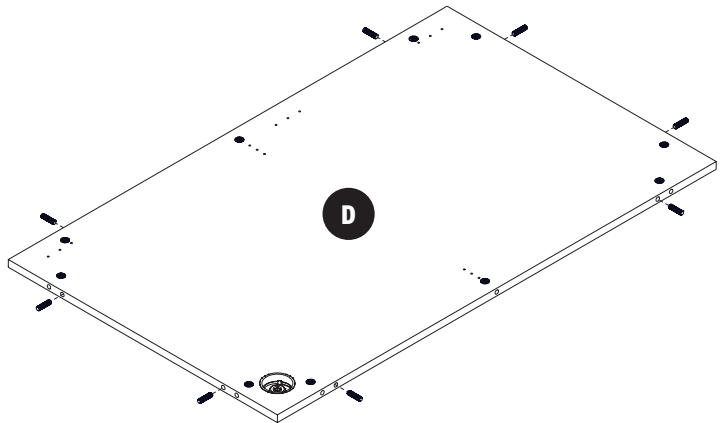
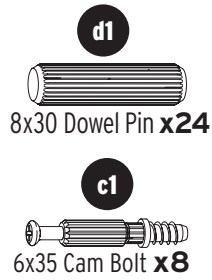
Install **c1 Cam Bolts** into pre-installed Cam Anchors as illustrated.



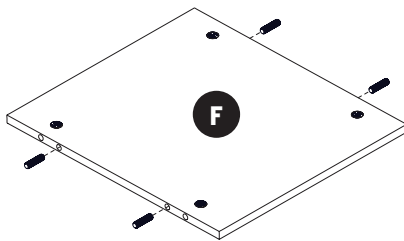
Attach **Panel O** to **Panel G**. Tighten Cam Locks and apply **Cam Covers**.

Set **Panel G** aside.

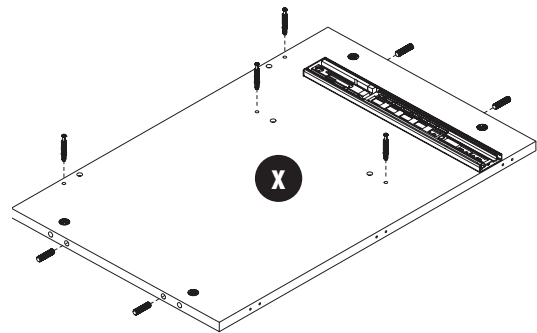
Step 2: Cabinet Sides and Back



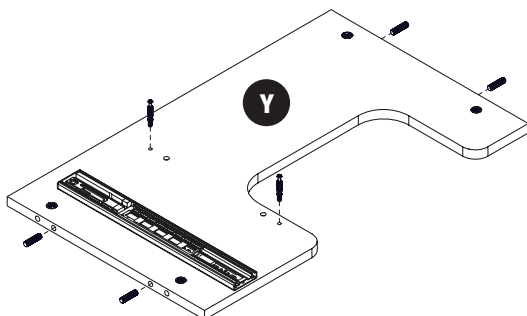
Insert 8 **d1 Dowel Pins** into the edges of **Panel D**



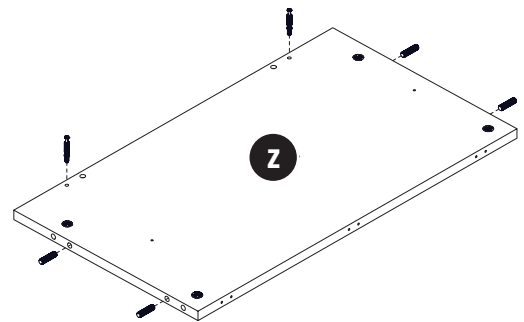
Insert 4 **d1 Dowel Pins** into the edges of **Panel F**



Insert 4 **d1 Dowel Pins** into the edges of **Panel X**
Install 4 **c1 Cam Bolts** into pre-installed Cam Anchors on **Panel X**

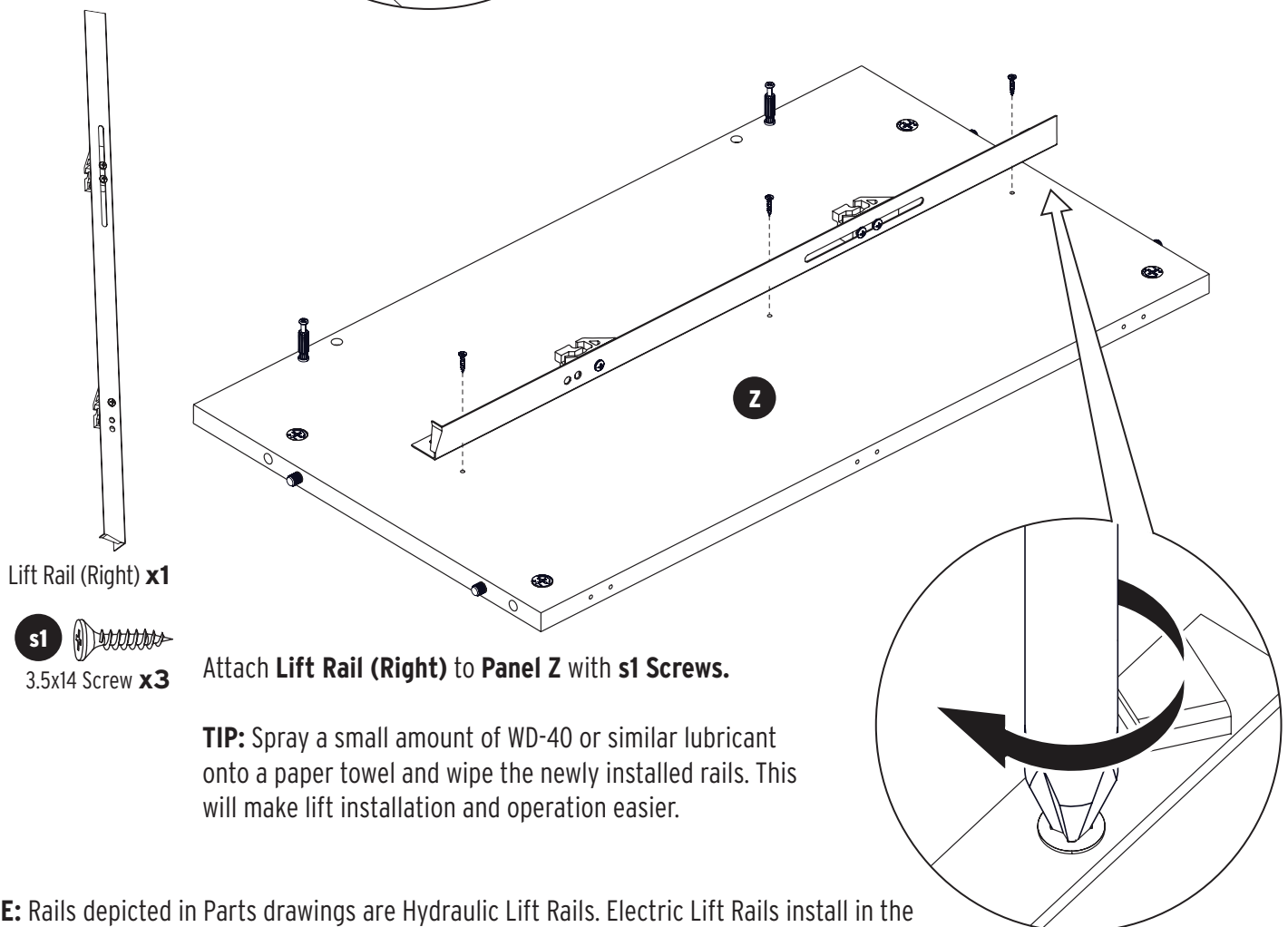
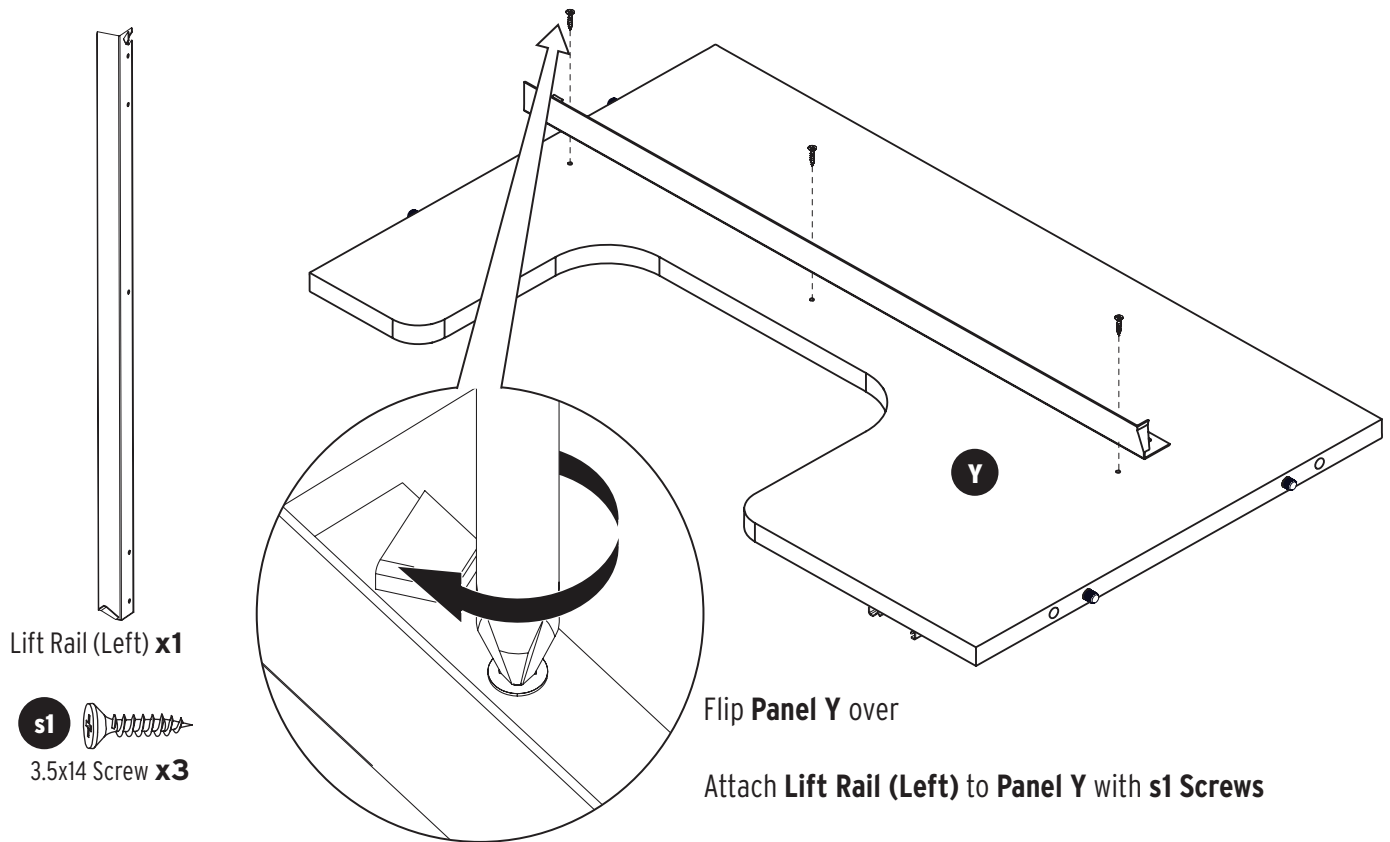


Insert 4 **d1 Dowel Pins** into the edges of **Panel Y**
Install 2 **c1 Cam Bolts** into pre-installed Cam Anchors on **Panel Y**



Insert 4 **d1 Dowel Pins** into the edges of **Panel Z**
Install 2 **c1 Cam Bolts** into pre-installed Cam Anchors on **Panel Z**

Step 2: Cabinet Sides and Back



NOTE: Rails depicted in Parts drawings are Hydraulic Lift Rails. Electric Lift Rails install in the same way. Be sure to position the Rail Tab at the TOP of the panel.

Step 2: Cabinet Sides and Back

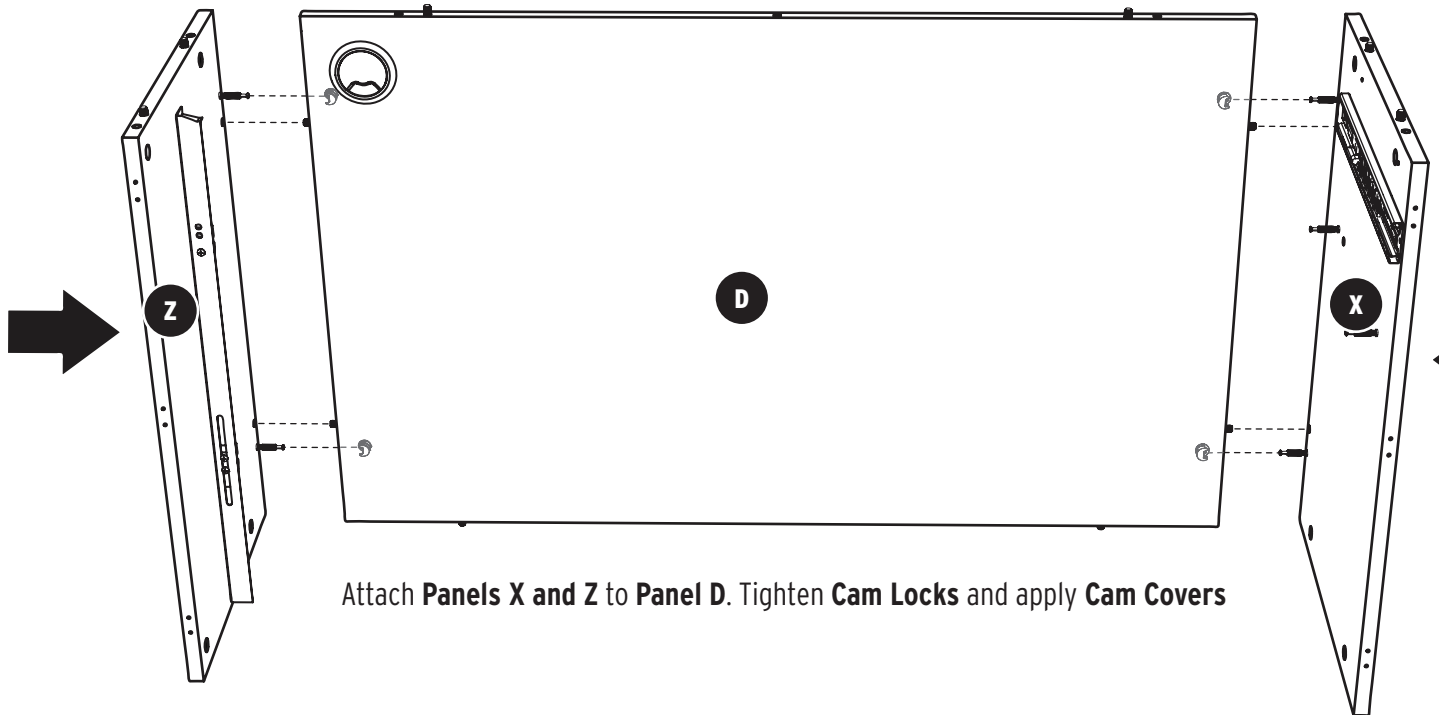
c2



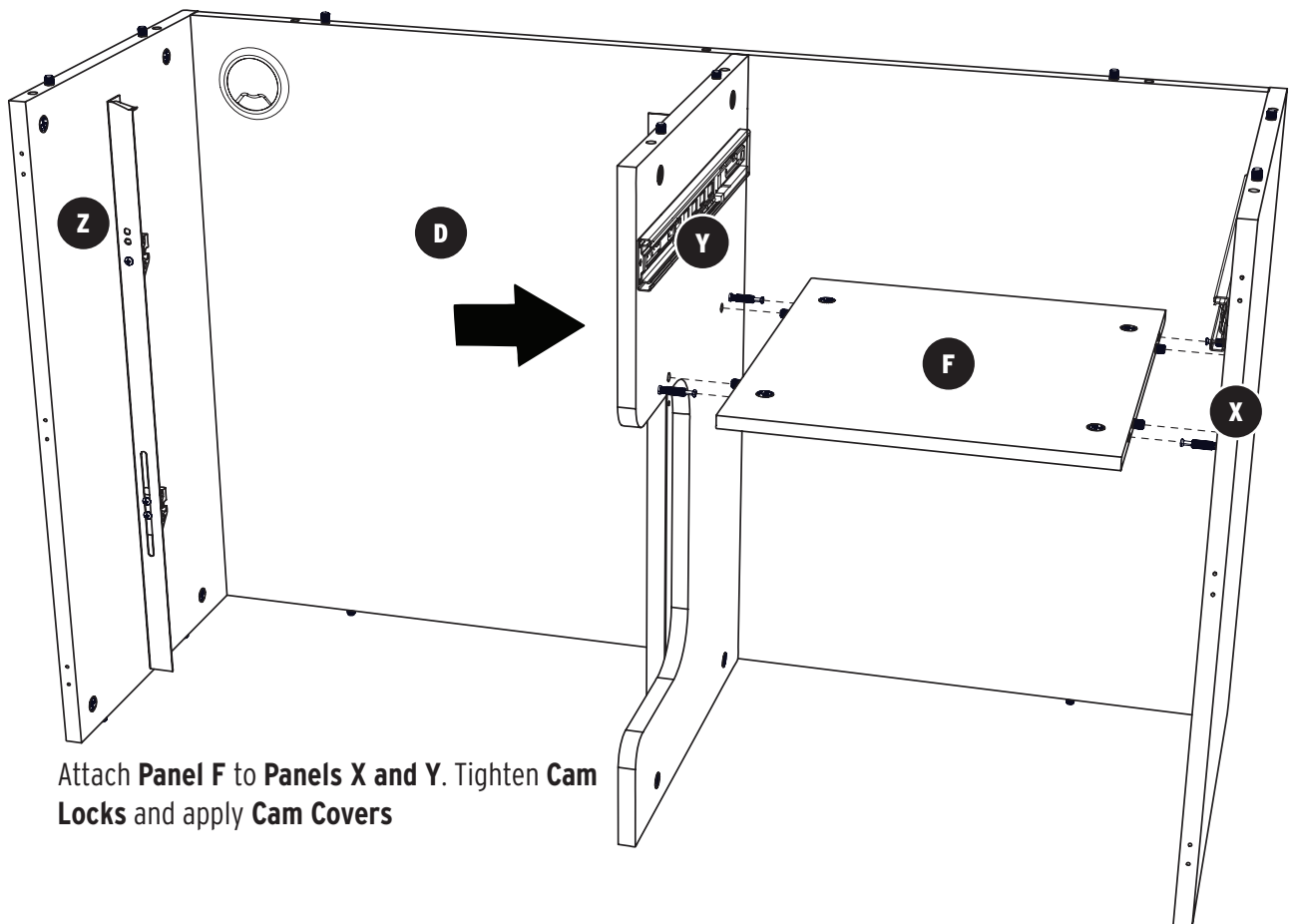
Note: We recommend doing this step with panels upside down as shown so panels are in correct position to attach Panel G.

Note: Cam Locks on Panel D will be facing the back (outside) of the cabinet.

$\frac{5}{8}$ " Cam Cover x8



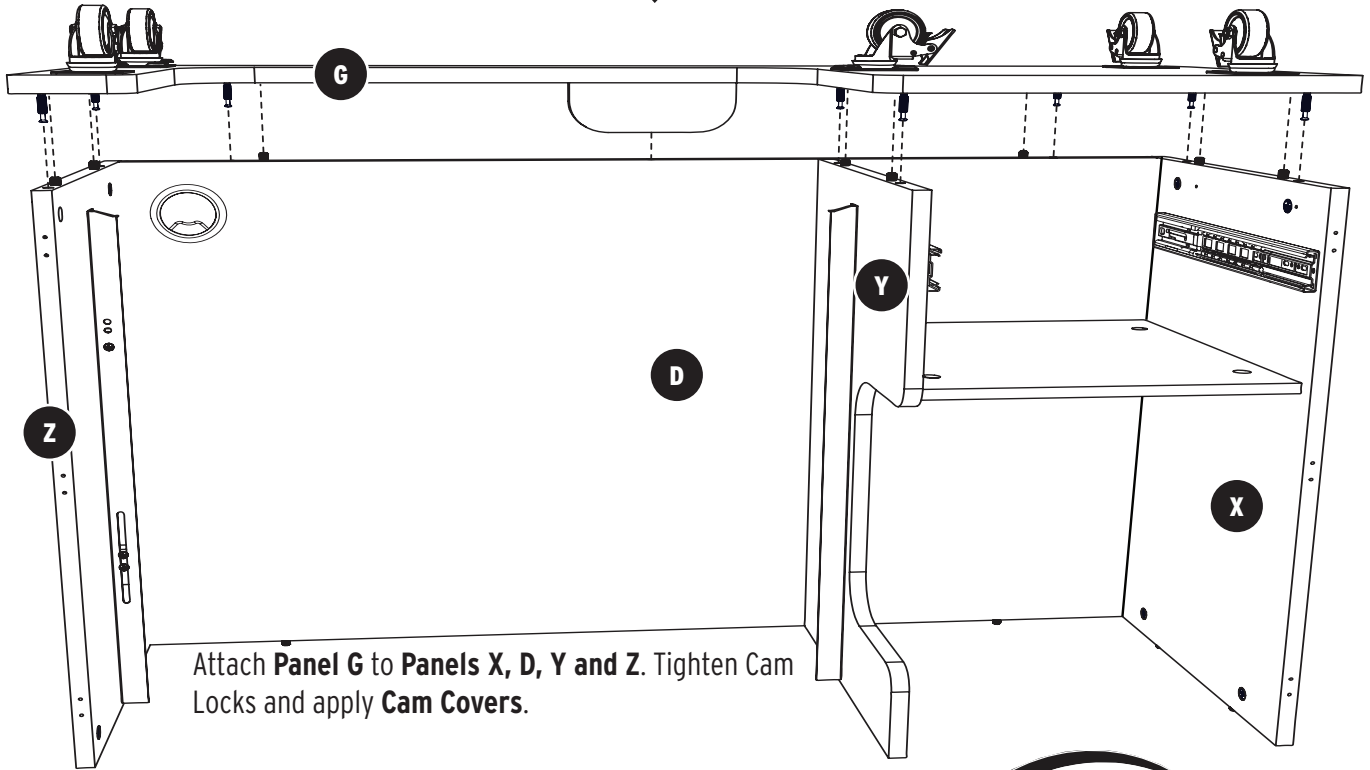
Attach **Panels X and Z** to **Panel D**. Tighten **Cam Locks** and apply **Cam Covers**



Attach **Panel F** to **Panels X and Y**. Tighten **Cam Locks** and apply **Cam Covers**

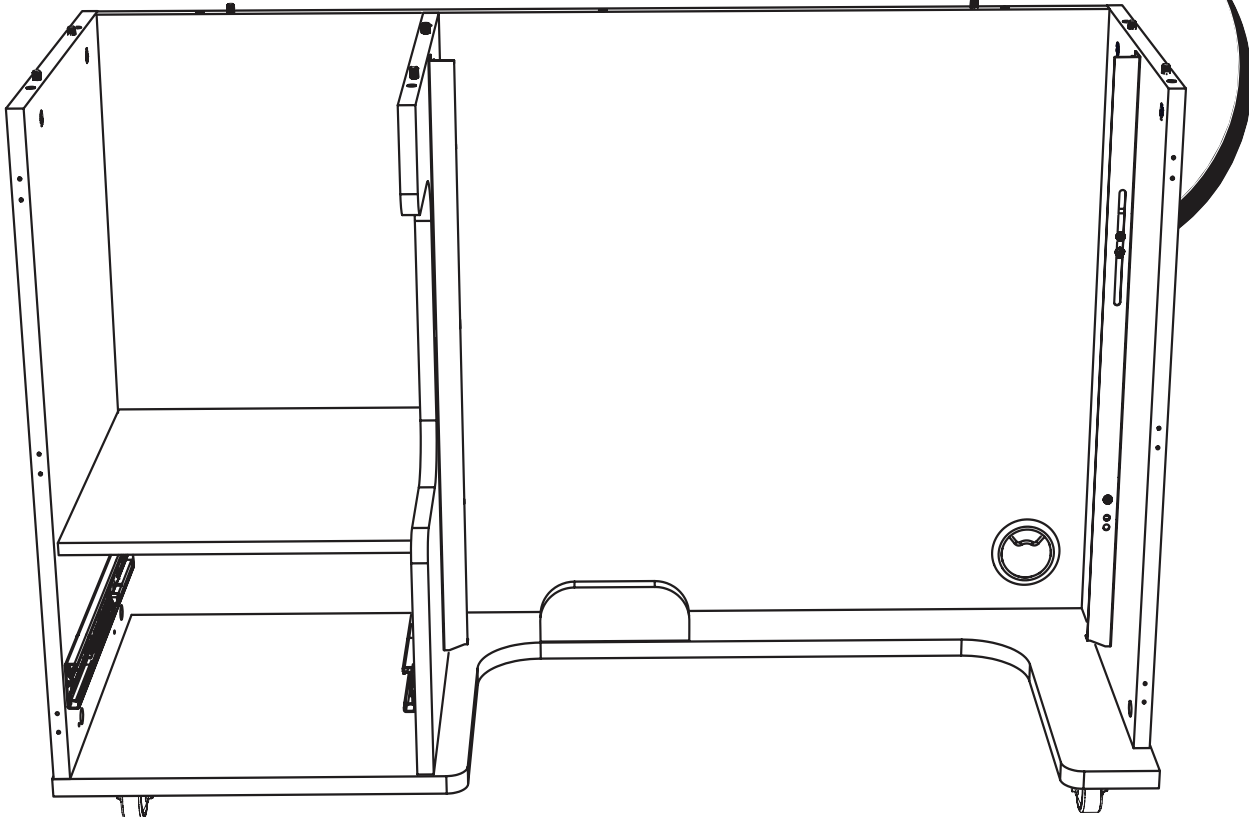
Step 3: Attaching the Base

c2 
5/8" Cam Cover **x9**



Attach **Panel G** to **Panels X, D, Y and Z**. Tighten Cam Locks and apply **Cam Covers**.

Flip the cabinet over onto its casters.



Part 4: Lift Installation

Hydraulic Lift Installation: Page 13

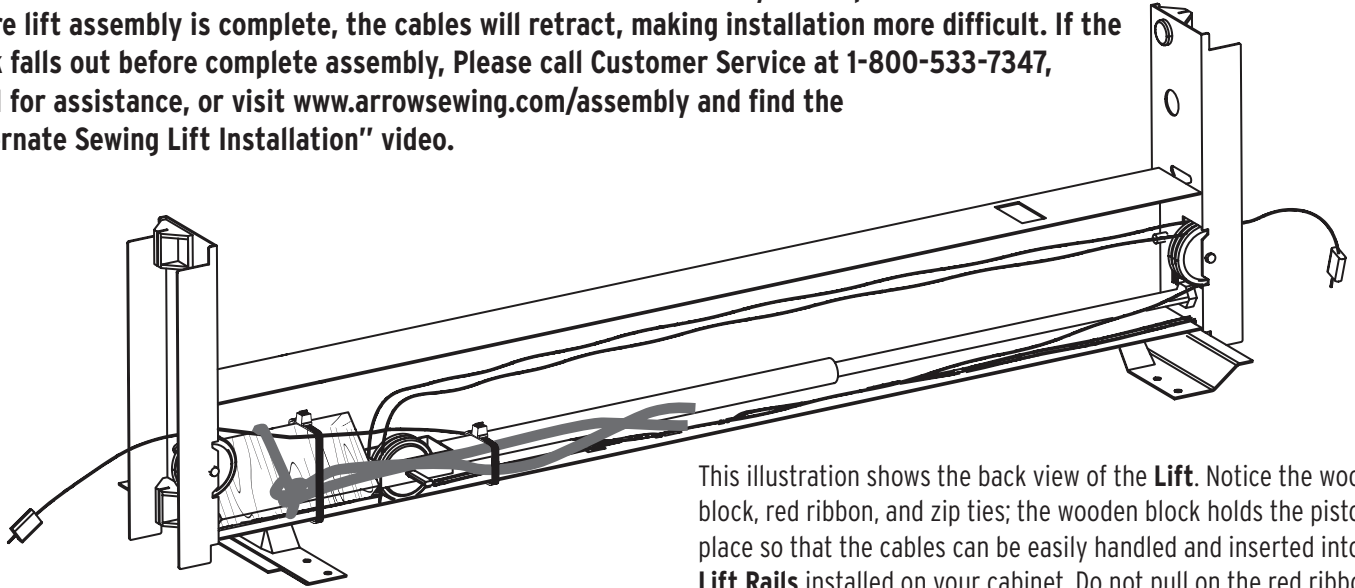
Electric Lift Installation: Page 15

Step 4a: Hydraulic Lift Installation

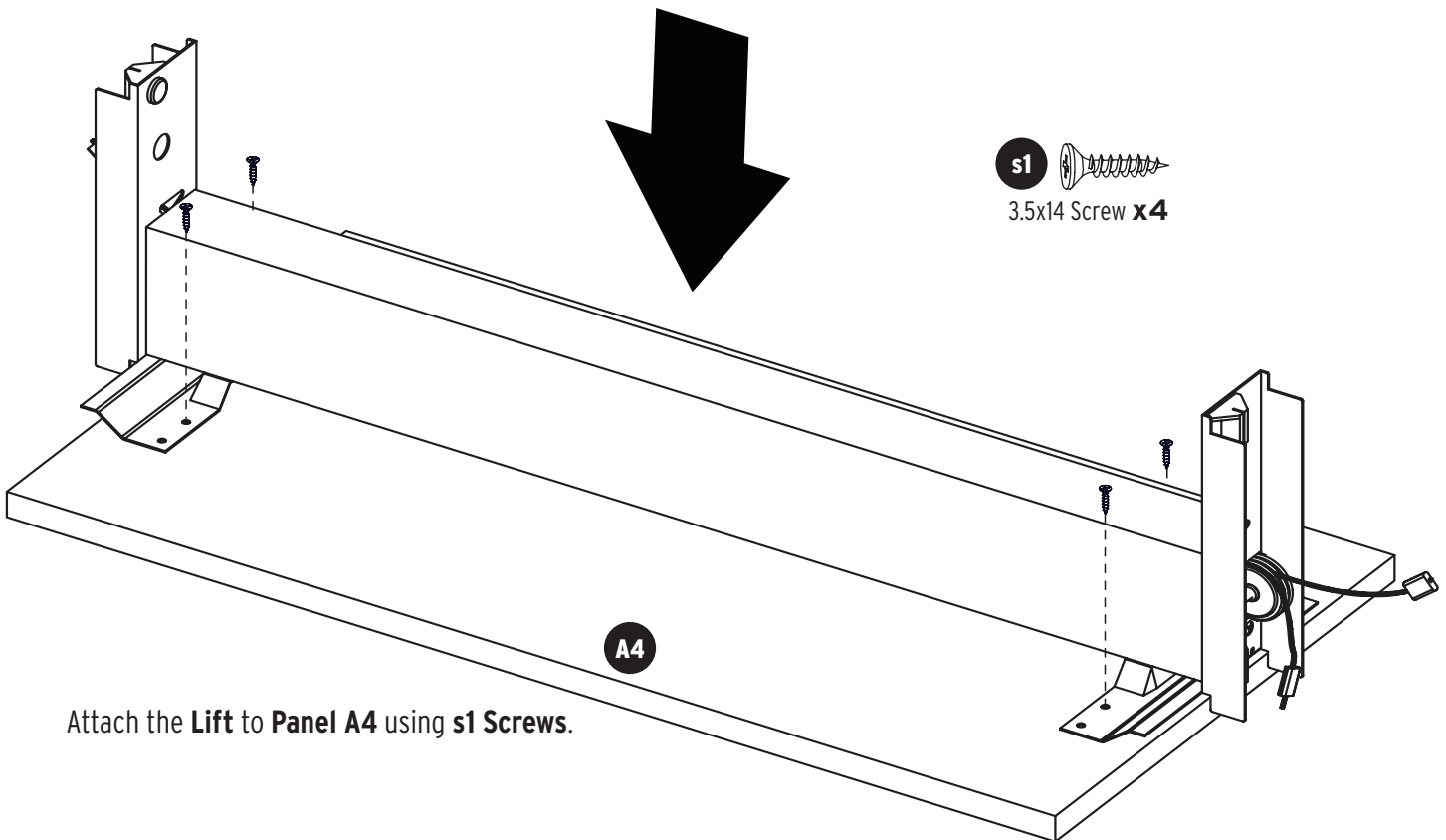
HYDRAULIC LIFT INSTALLATION WARNING:

For video instructions, please visit www.arrowsewing.com/assembly and find the "How to Install Your Hydraulic Lift" video.

DO NOT remove the small wooden block from the Lift until assembly is complete. If the block is removed or falls out before lift assembly is complete, the cables will retract, making installation more difficult. If the block falls out before complete assembly, Please call Customer Service at 1-800-533-7347, ext. 1 for assistance, or visit www.arrowsewing.com/assembly and find the "Alternate Sewing Lift Installation" video.

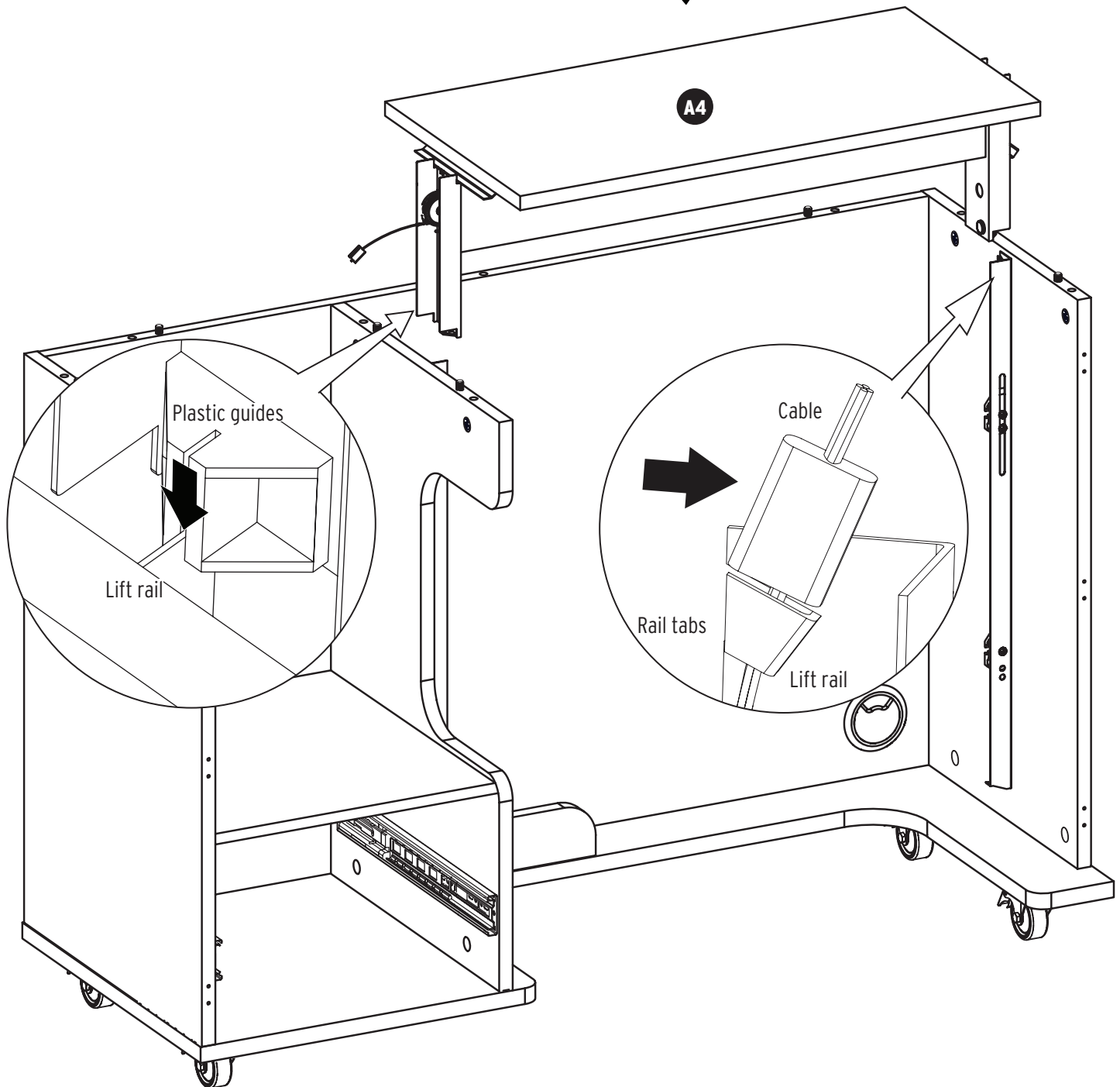
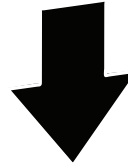


This illustration shows the back view of the **Lift**. Notice the wooden block, red ribbon, and zip ties; the wooden block holds the piston in place so that the cables can be easily handled and inserted into the **Lift Rails** installed on your cabinet. Do not pull on the red ribbon or remove the zip ties just yet!



Attach the **Lift** to **Panel A4** using **s1** Screws.

Step 4a: Hydraulic Lift Installation



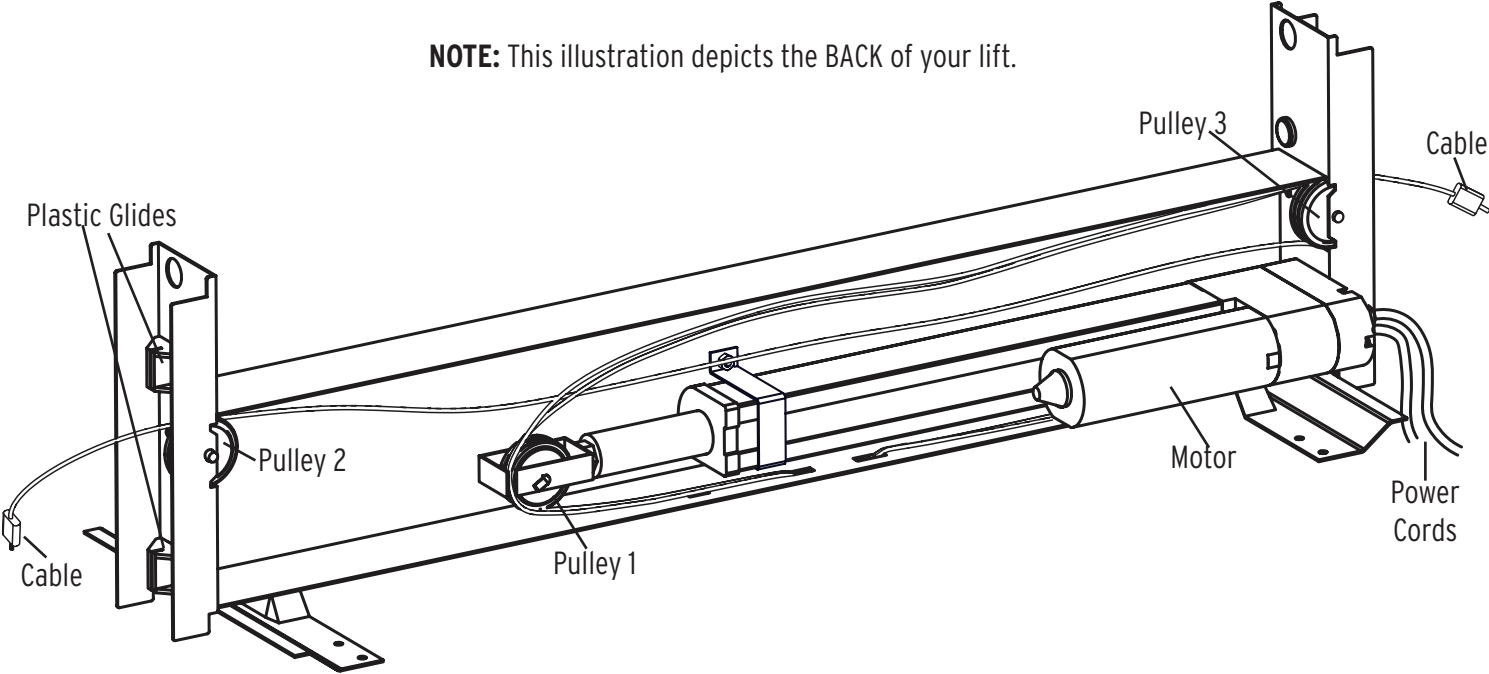
Guide **Lift** onto **Lift Rails** using plastic guides. Insert ends of cable into rail tabs; make sure the cable is hooked into the rail tabs on both sides.

Cut the zip tie on the wooden block, but DO NOT remove the block yet.

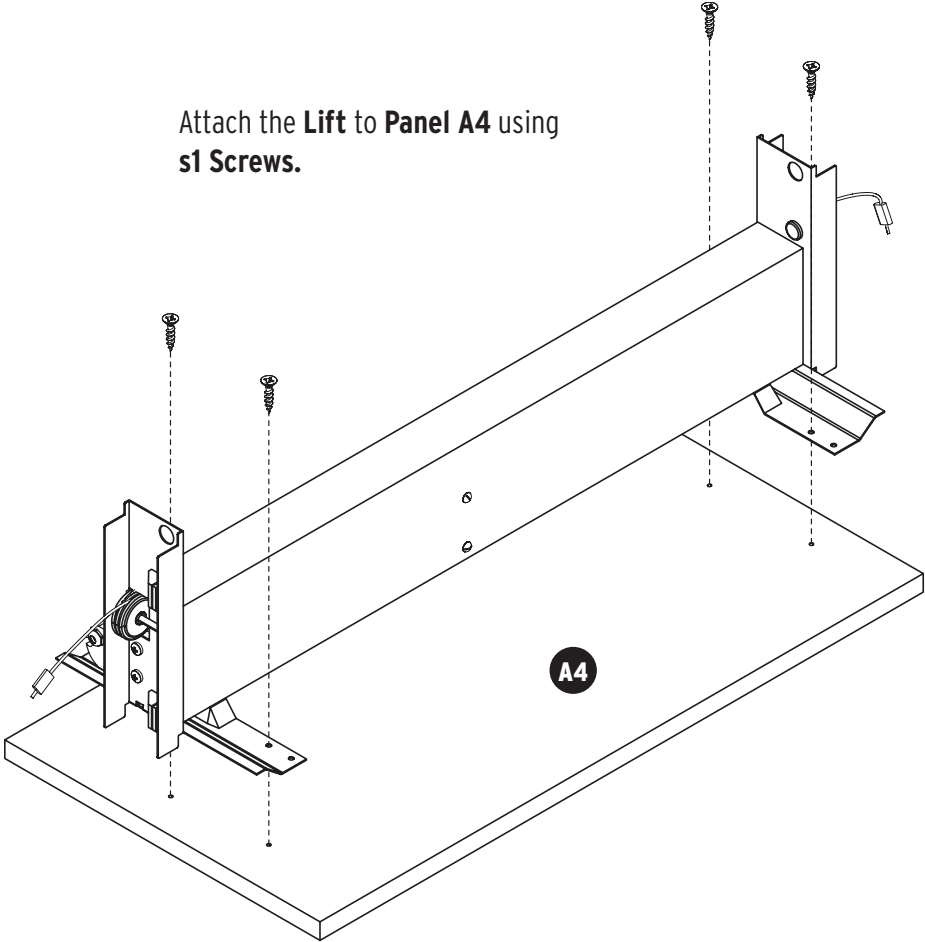
Push the **Lift** down to first lock position (listen for the CLICK!) and remove the wooden block. **DO NOT ADJUST LIFT POSITION until the top is installed**, or you risk the Lift coming out and cables becoming disengaged.

Part 2b: Electric Lift Installation

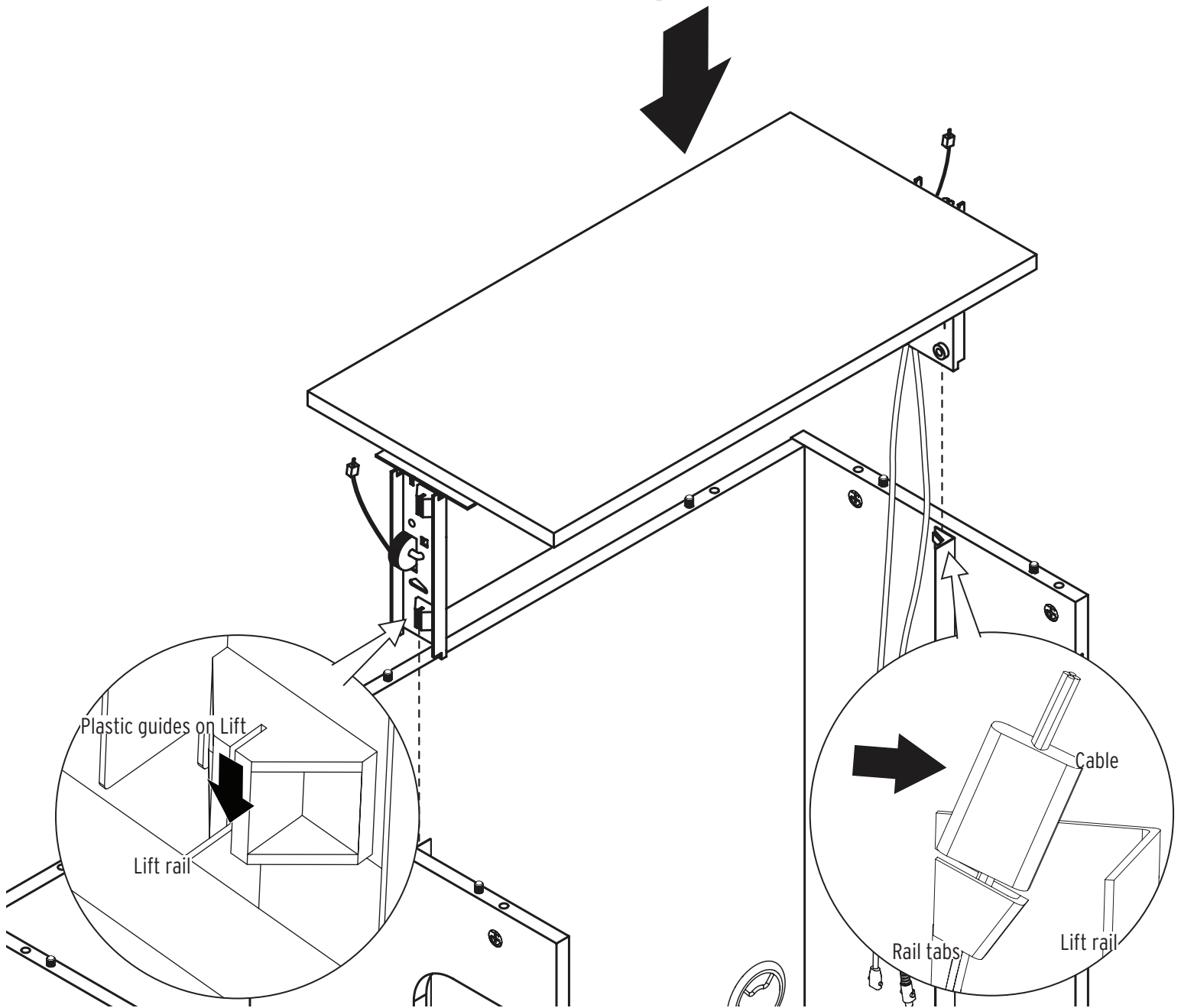
NOTE: This illustration depicts the BACK of your lift.



Attach the **Lift** to **Panel A4** using **s1 Screws**.



Part 2b: Electric Lift Installation



Pull the Cable as far out as it will go.

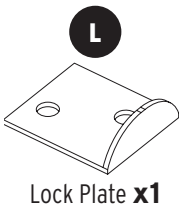
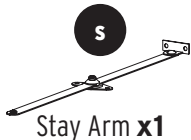
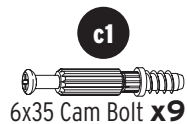
Guide **Lift** onto **Lift Rails** using plastic guides. Insert ends of cable into rail tabs; make sure the cable is hooked into the rail tabs on both sides.

Do you have questions? Email us anytime at cs@arrowsewing.com or give Arrow Sewing Customer Service a call for assistance at 1-800-533-7347, ext. 1 during normal business hours.

Turn to Page 16 to continue cabinet assembly.

Instructions for Electric Lift cord management and operation begin on Page 29.

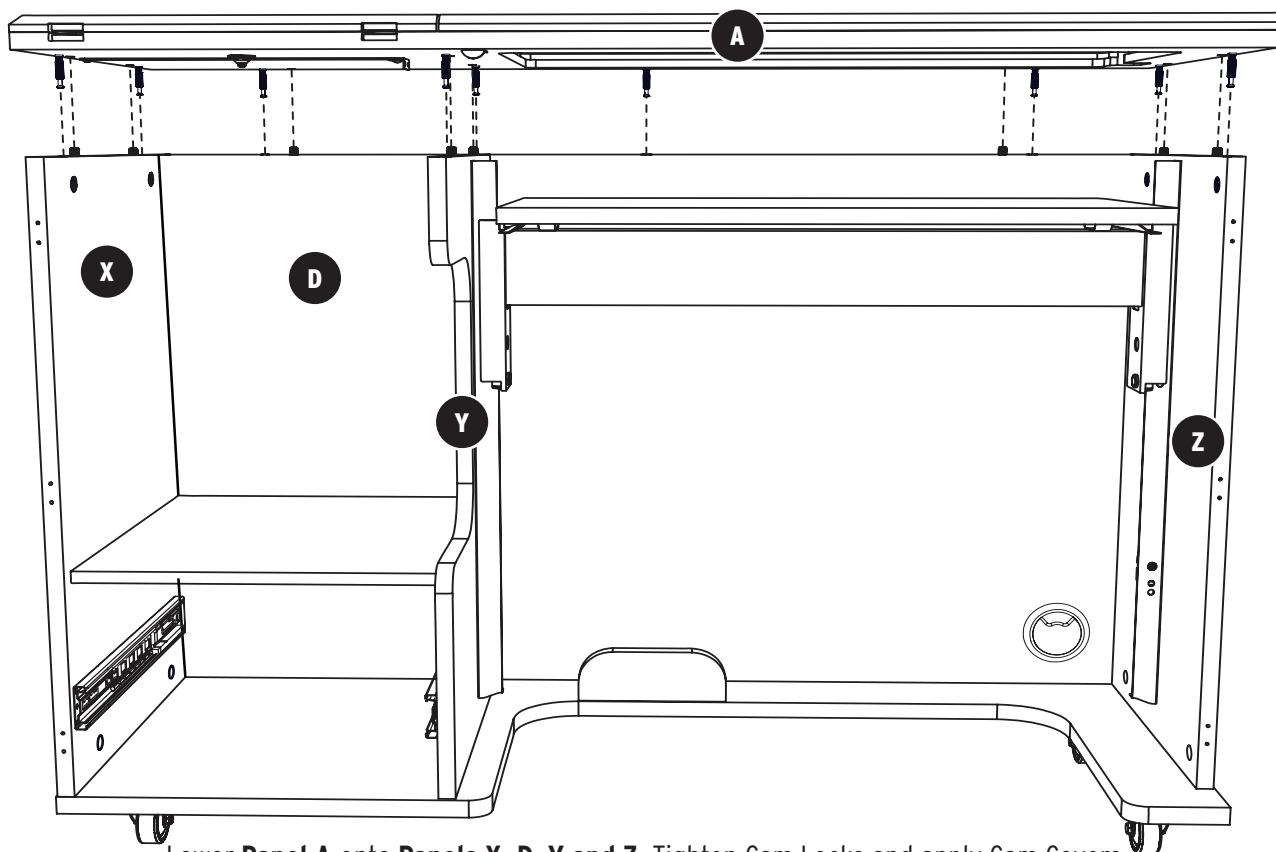
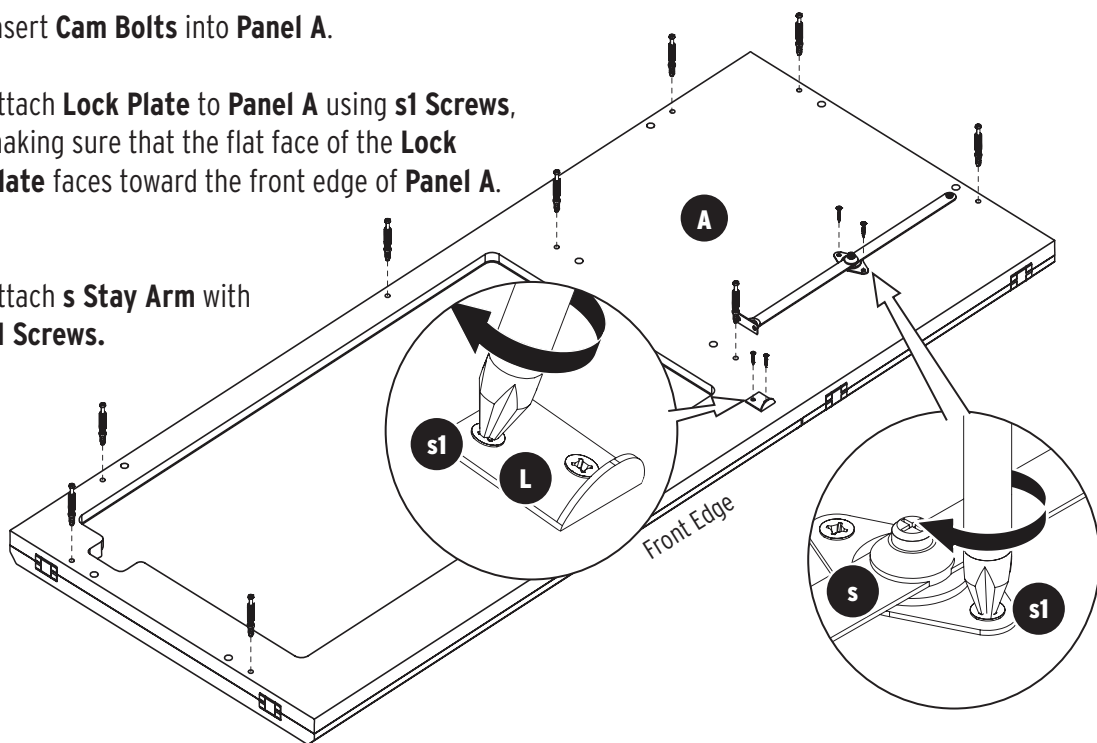
Step 4: Attaching the Top



Insert **Cam Bolts** into **Panel A**.

Attach **Lock Plate** to **Panel A** using **s1 Screws**, making sure that the flat face of the **Lock Plate** faces toward the front edge of **Panel A**.

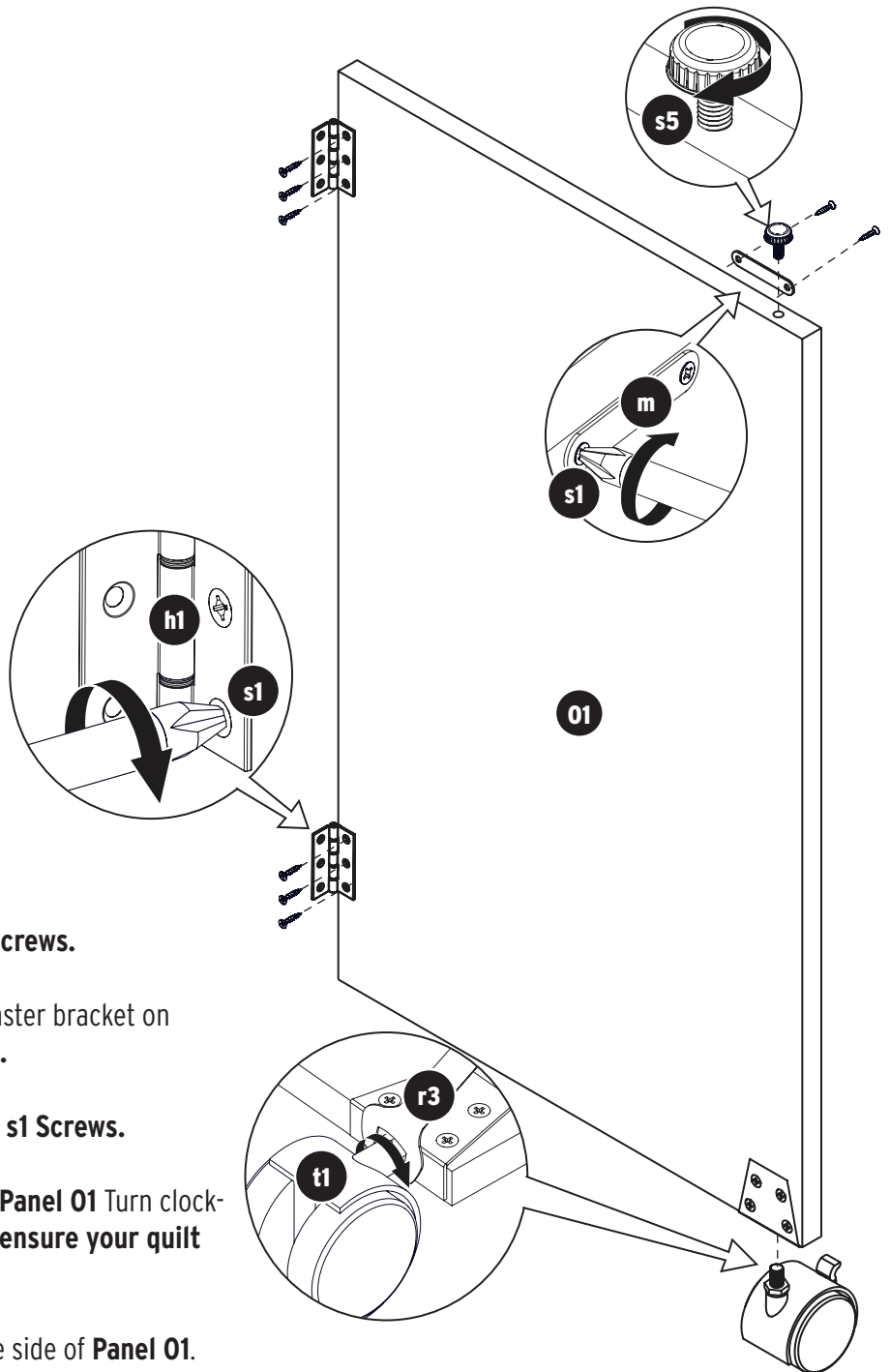
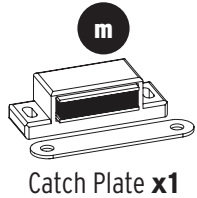
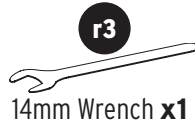
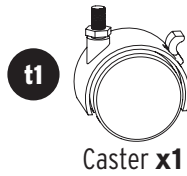
Attach **s Stay Arm** with **s1 Screws**.



Lower **Panel A** onto **Panels X, D, Y and Z**. Tighten Cam Locks and apply Cam Covers.

A SPECIAL NOTE ABOUT USING TABLETOP LEAVES: Do **NOT** extend the leaves until you have support panels in place. Doing so may damage the cabinet and void your warranty.

Step 4: Gate Leg and Quilt Panel



Attach **h1** Butt Hinges to **Panel 01** with **s1** Screws.

Insert the **t1** Caster into the pre-installed caster bracket on **Panel 01** and tighten with **r3** 14mm Wrench.

Attach the **m** Catch Plate to **Panel 01** using **s1** Screws.

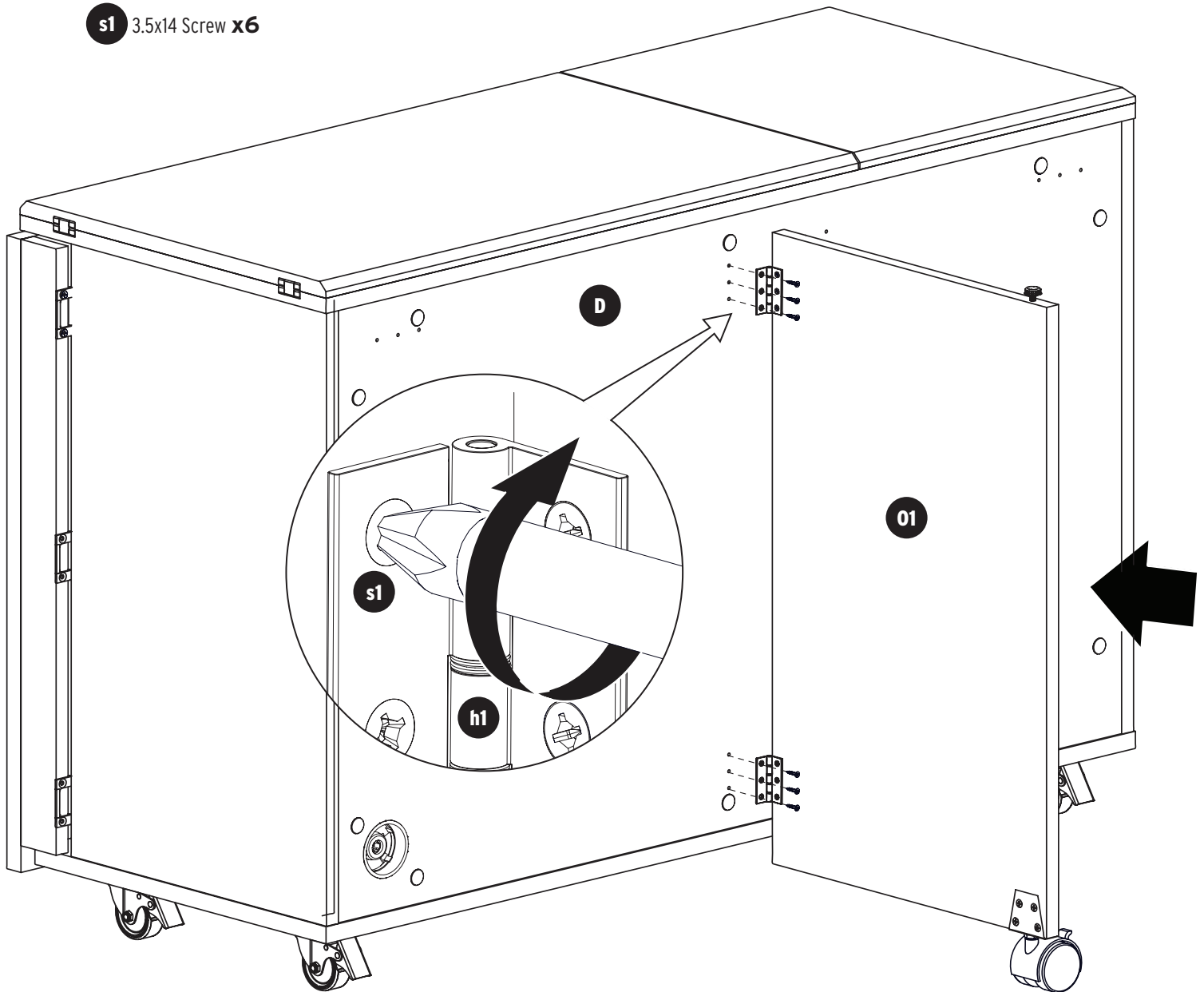
Insert the **s5** Alignment Pin into the top of **Panel 01** Turn clockwise to screw in. Use the alignment pin to ensure your quilt leaf is level when in use.

NOTE: The **Catch Plate** goes on the opposite side of **Panel 01**.

Step 4: Gate Leg and Quilt Panel



s1 3.5x14 Screw **x6**

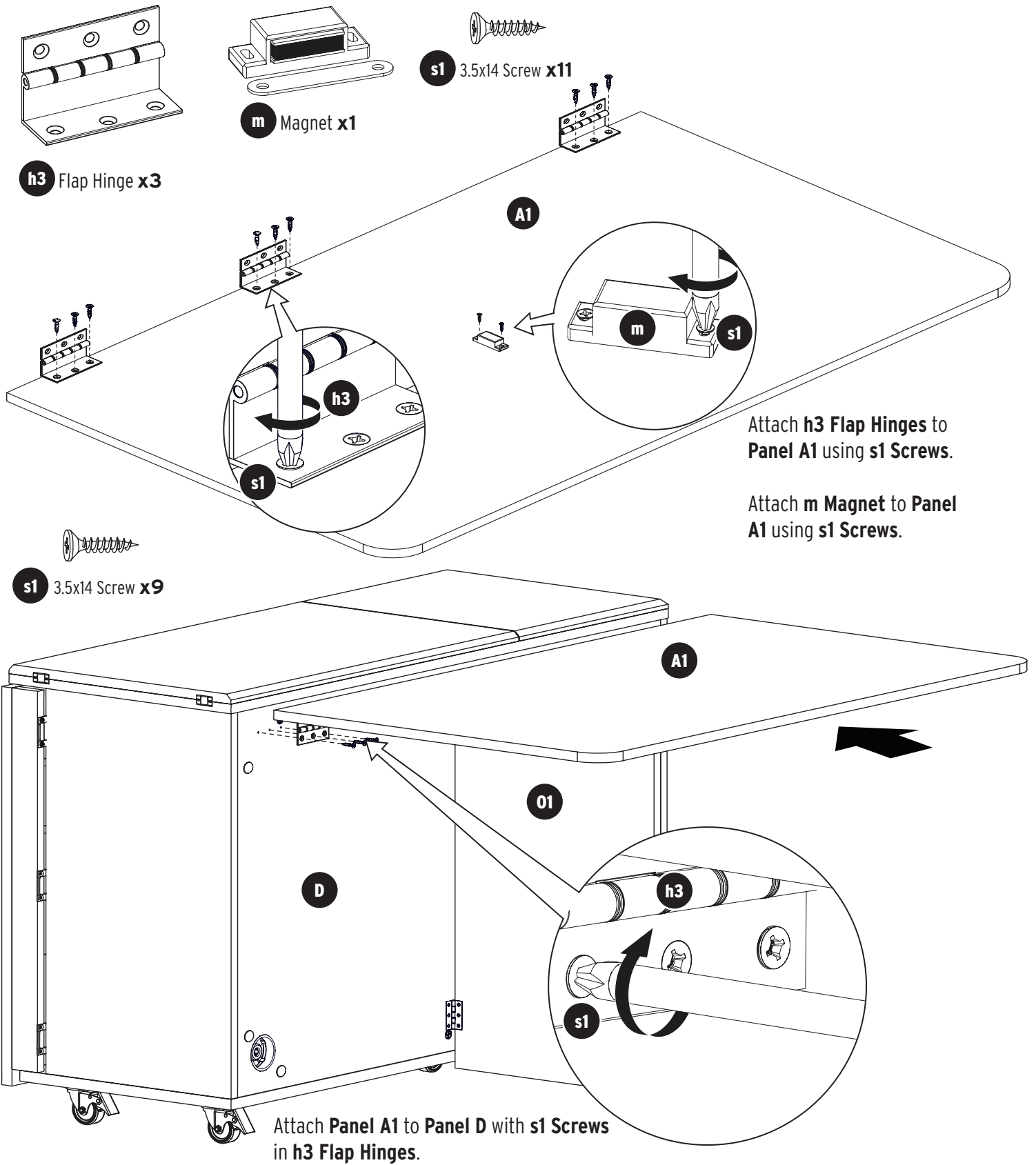


Attach **Panel 01** to **Panel D** using **S1 Screws**.

You may need a friend to help you hold **Panel 01** steady as you attach it, but it is not required.

A SPECIAL NOTE ABOUT USING TABLETOP LEAVES: Do **NOT** extend the leaves until you have support panels in place. Doing so may damage the cabinet and void your warranty.

Step 4: Gate Leg and Quilt Panel



A SPECIAL NOTE ABOUT USING TABLETOP LEAVES: Do **NOT** extend the leaves until you have support panels in place. Doing so may damage the cabinet and void your warranty.

Step 5: Drawer

d1

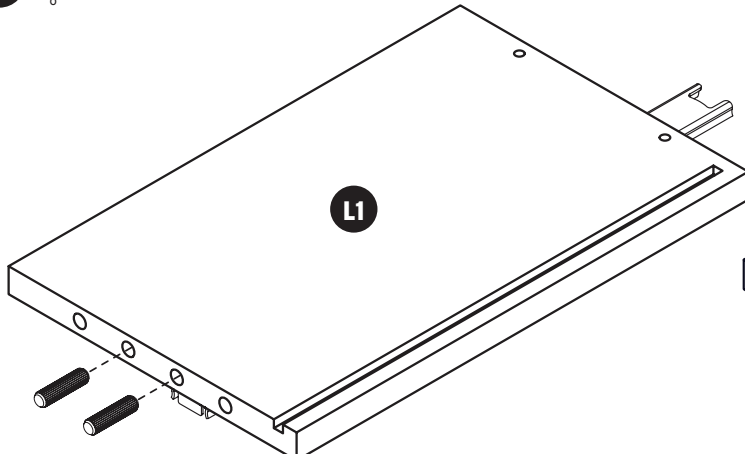
8x30 Dowel Pin **x4**

c1

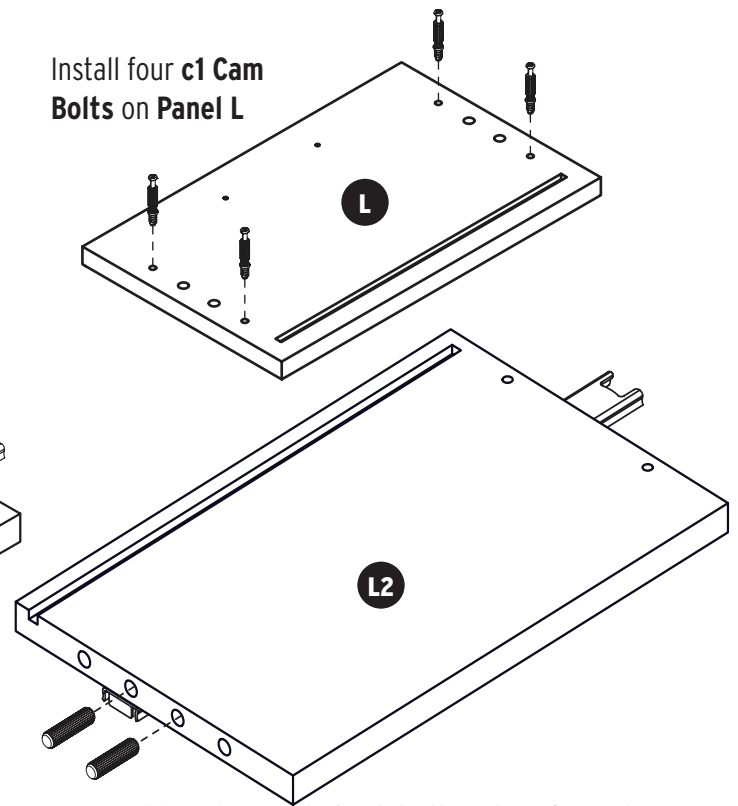
6x35 Cam Bolt **x4**

c2 $\frac{5}{8}$ " Cam Cover **x4**

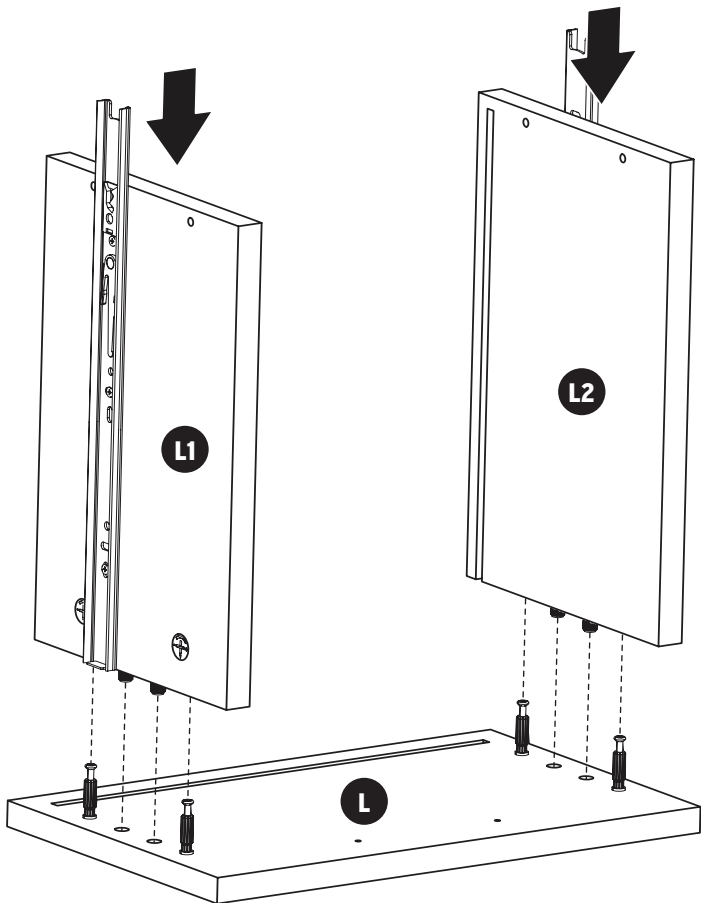
Install four **c1** Cam Bolts on **Panel L**



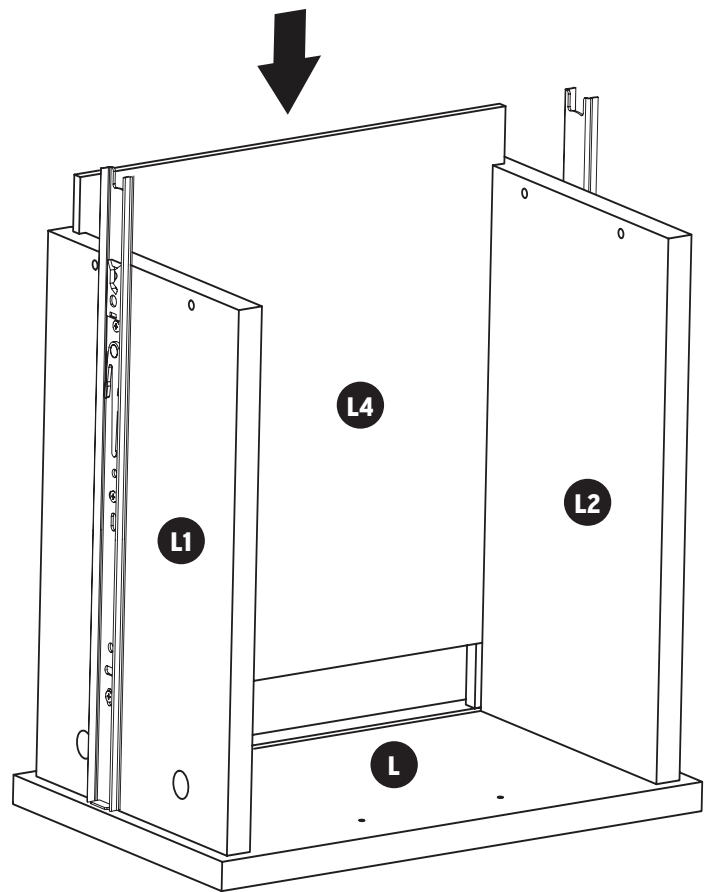
Insert two **d1** Dowel Pins into the edge of **Panel L1**



Insert two **d1** Dowel Pins into the edge of **Panel L2**



Attach drawer front **Panel L** to side **Panels L1** and **L2** as shown above. Tighten cams and apply covers.

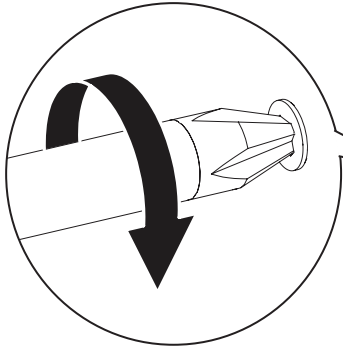


Slide drawer bottom **Panel L4** into the grooves on **Panels L, L1** and **L2**.

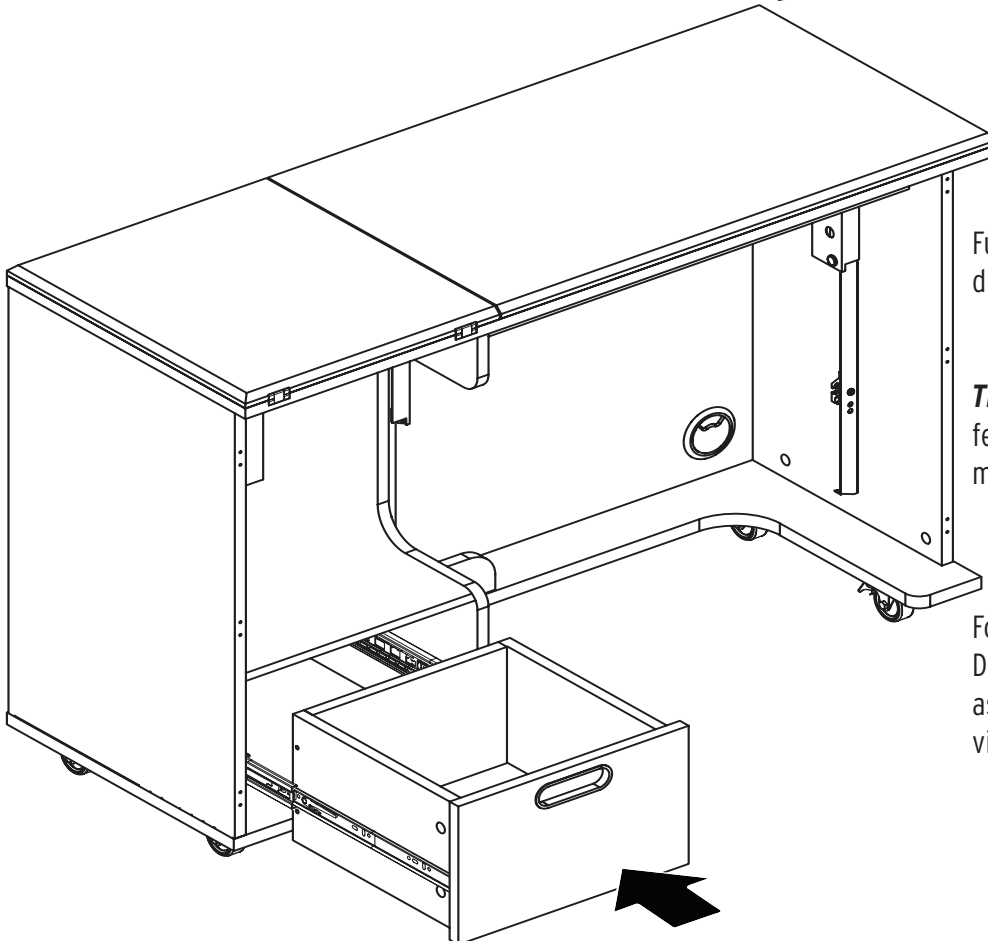
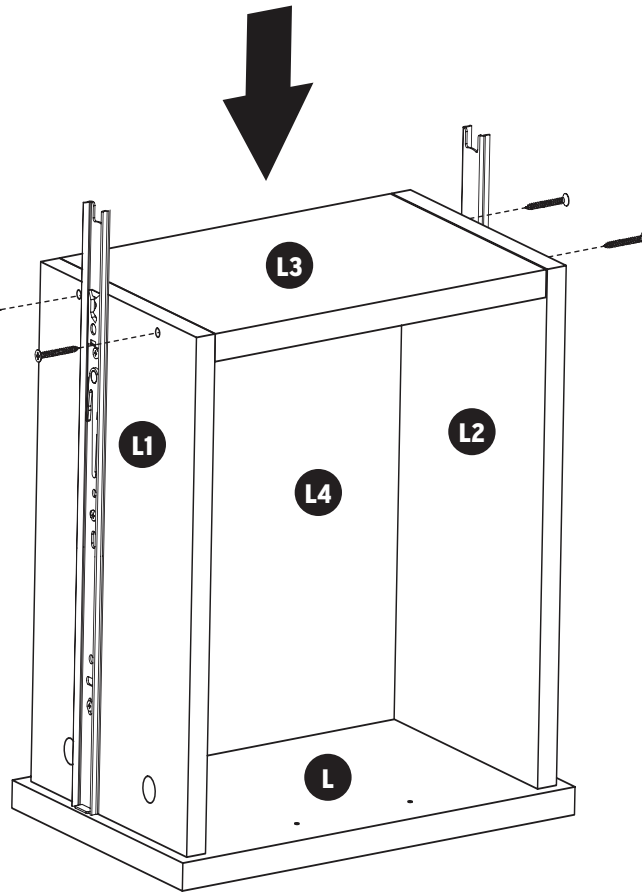
Step 5: Drawer



s3 3.5x35 Screw **x4**



Attach back **Panel L3** to side **Panels L1 and L2** using **s3 Screws** as shown here.

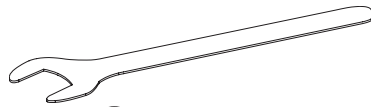


Fully extend the cabinet drawer rails, align drawer rails, and slide drawer into cabinet.

TIP: Gently open and close the drawers a few times to engage the Soft Close mechanism.

For more information on Soft Close Drawers, visit us at www.arrowsewing.com/assembly and find our Product Support videos on Drawers, Doors, Hinges & Casters!

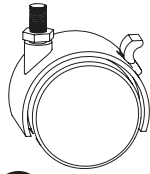
Step 6: Doors



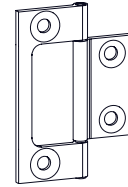
r3 14mm Wrench **x1**



h Handle **x1**



t1 Caster **x1**



h2 Flush Hinge **x3**



d3 Door Plate **x2**



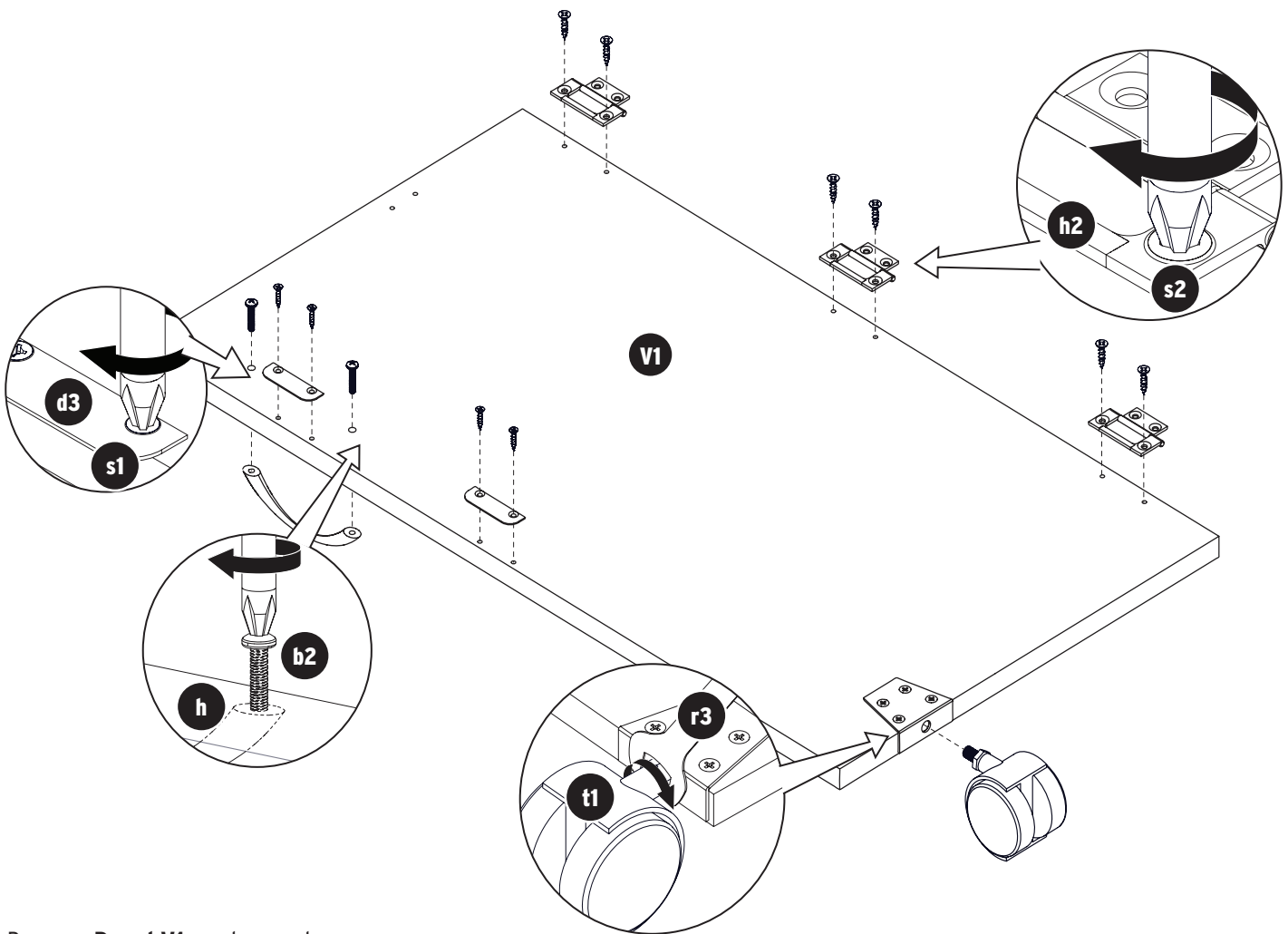
s2 3x14 Screw **x6**



b2 4x20 Fix Bolt **x2**



s1 3.5x14 Screw **x4**



Prepare **Panel V1** as shown above.

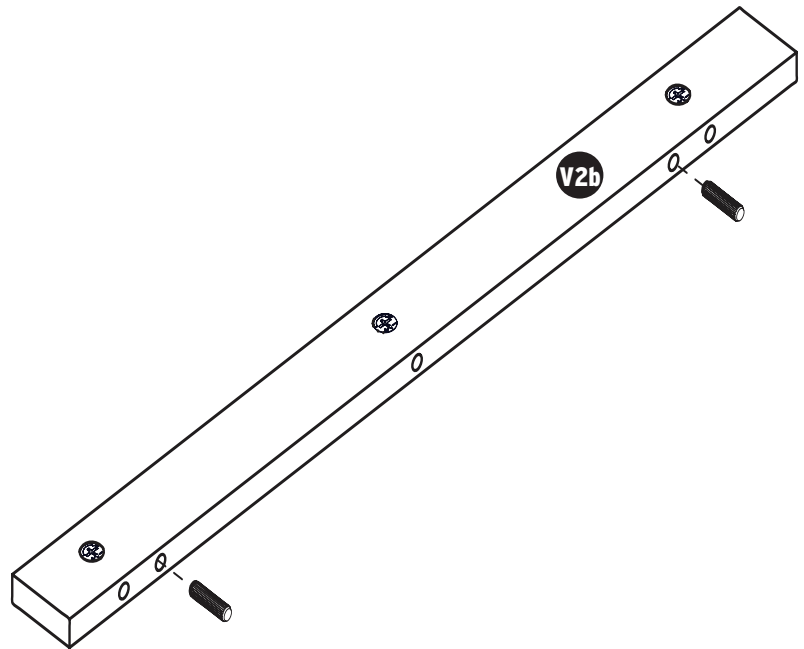
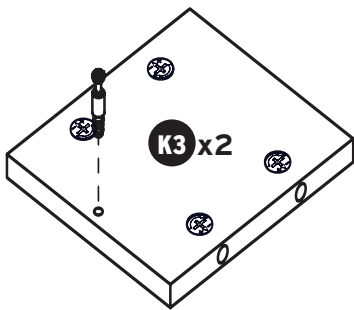
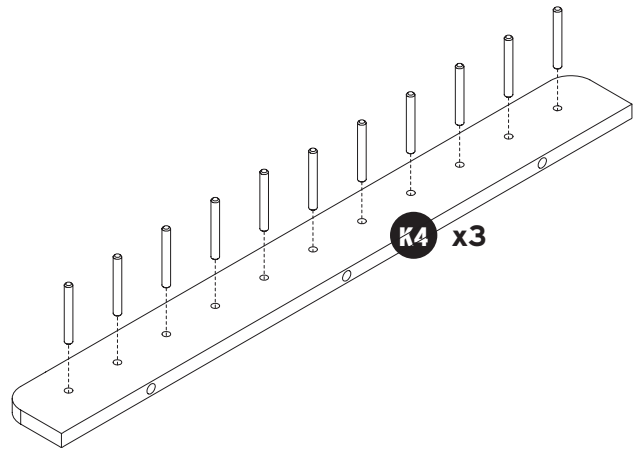
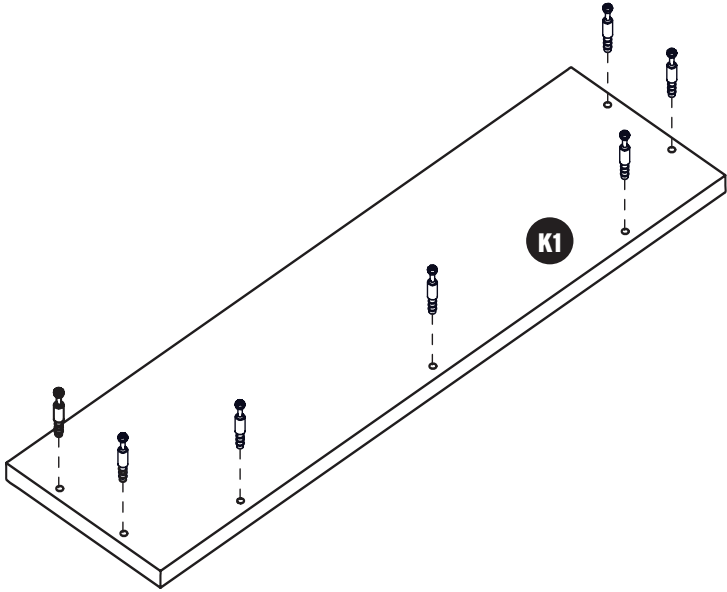
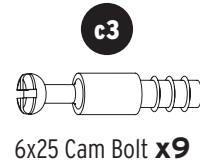
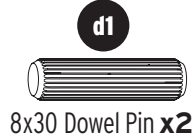
Attach 3 **h2 Flush Hinges** with **s2 Screws**.

Attach 2 **d3 Door Plates** with **s1 Screws**. **NOTE:** The rounded edge of **d3 Door Plates** will overhang the edge of the panel.

Insert **t1 Caster** into pre-installed caster bracket and tighten with **r3 14mm Wrench**.

Attach **h Handle** using **b2 Fix Bolts**.

Step 6: Doors



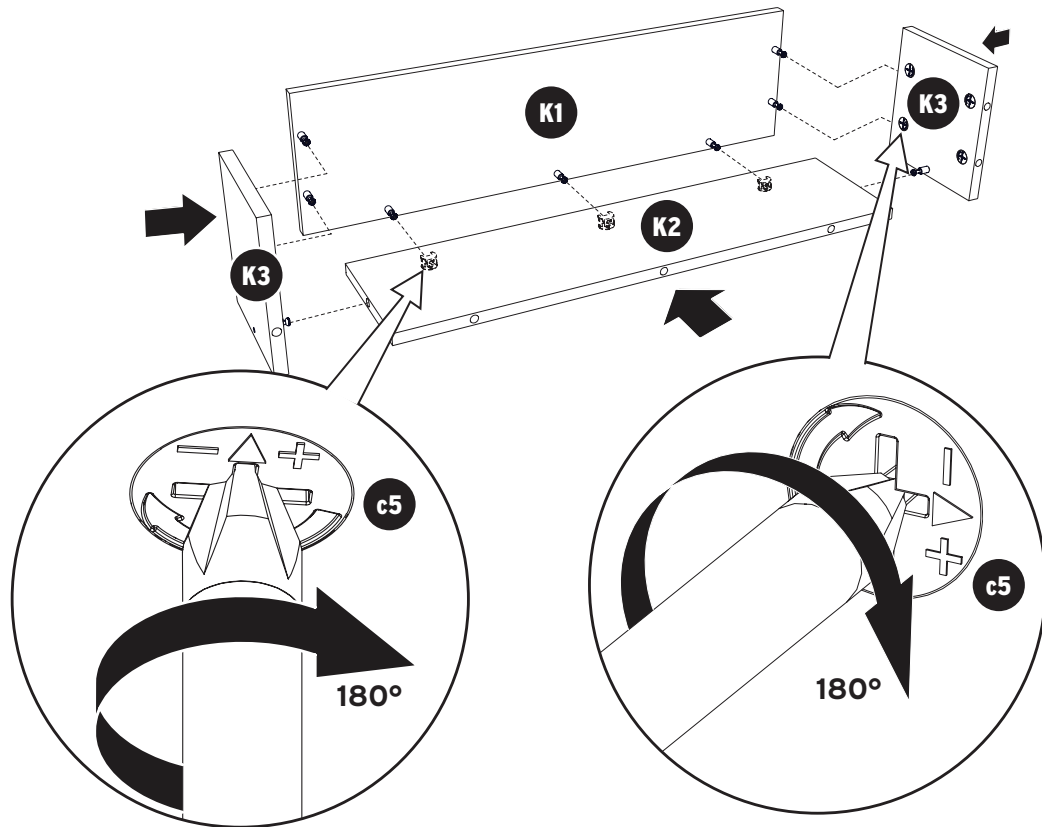
Prepare **Panels K1, K3, K4 and V2b** as shown above.

- Insert 11 **d2 Dowel Pins** into **Panel K4**. Repeat x3
- Insert 7 **c3 Cam Bolts** into **Panel K1**
- Insert 1 **c3 Cam Bolt** into **Panel K3** Repeat x2
- Insert 2 **d1 Dowel Pins** into the edge of **Panel V2b**

NOTE:

c3 Cam Bolts are somewhat smaller than the **c1 Cam Bolts** used thus far. While **c1 Cam Bolts** will screw into pre-installed metal cam anchors, **c3 Cam Bolts** screw directly into the Panel.

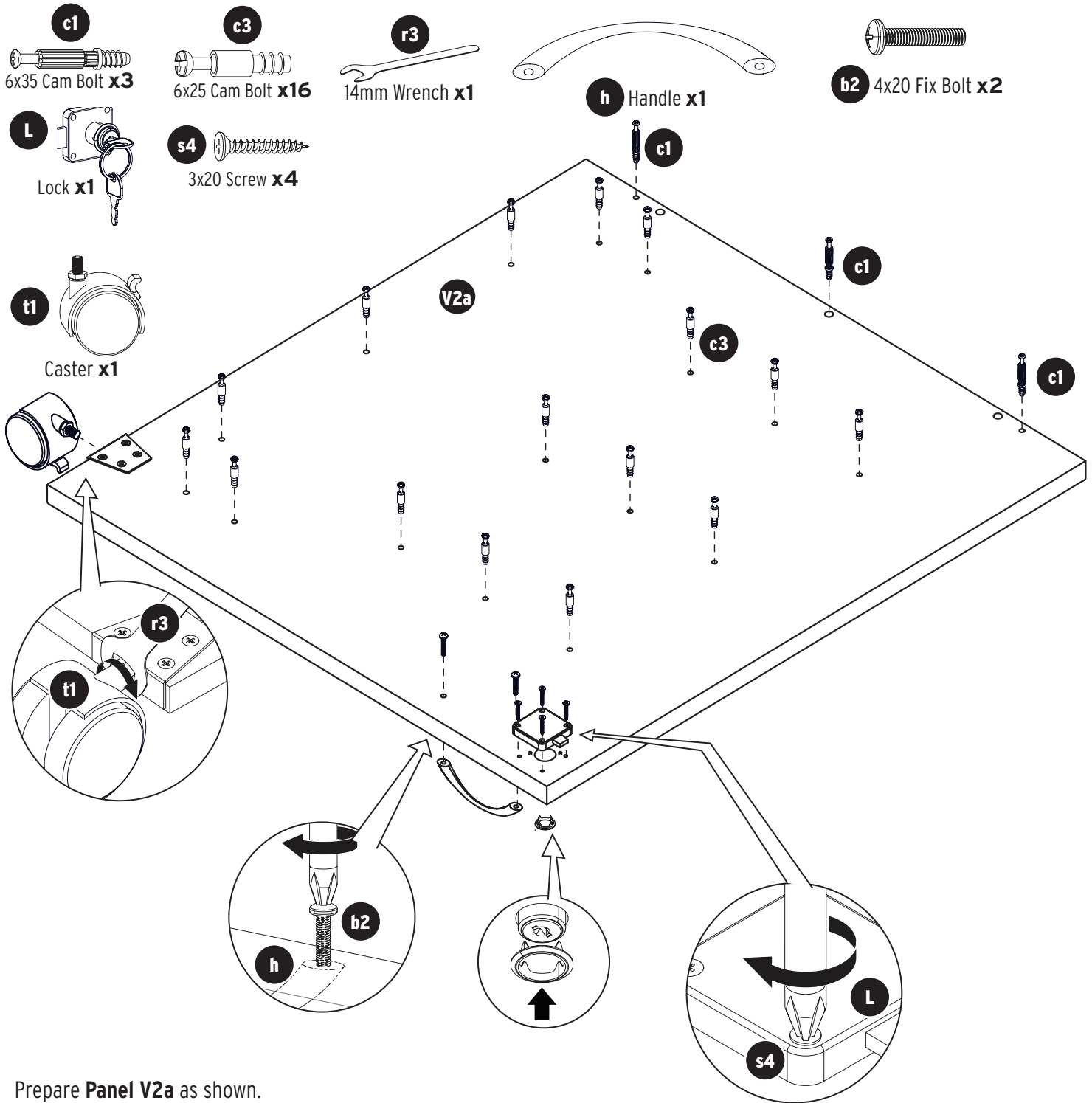
Step 6: Doors



Insert cam bolts on **K3 Panels** (sides) into cams in **Panel K2** (bottom) and tighten cams. Apply **c2 Cam Covers**.

Insert cam bolts on **Panel K1** (front) into cams in **Panel K2** (bottom) and **K3 Panels** (sides). Tighten cams and apply **C2 Cam Covers**.

Step 6: Doors



Prepare **Panel V2a** as shown.

Install **c1 Cam Bolts** and **c3 Cam Bolts**

Install **Caster**, using **r3 14mm Wrench** to tighten

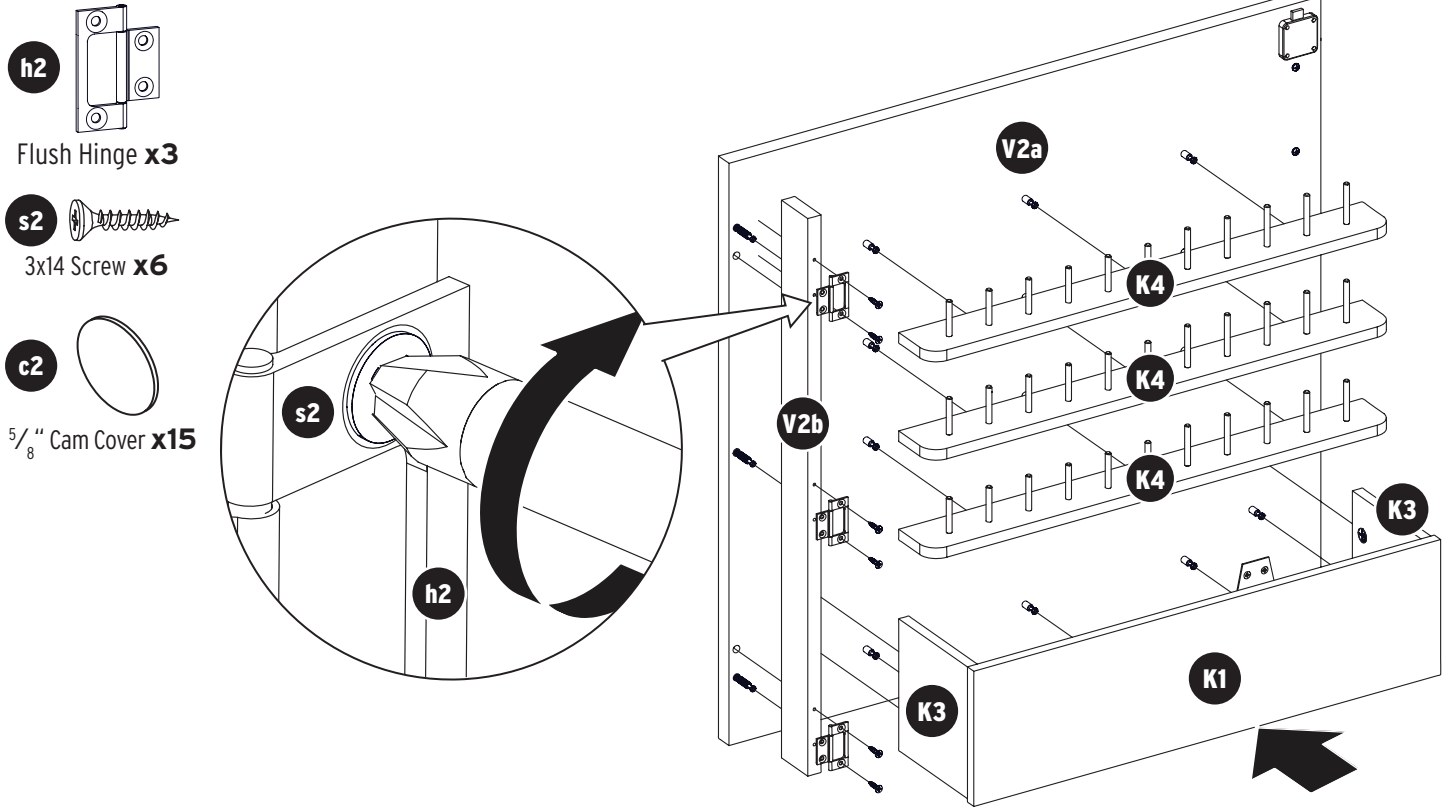
Install **h Handle**, using **b2 Fix Bolts**

Install **L Lock**, using **s4 Screws**, and **Lock Ring**, pressing firmly to attach

NOTE:

c3 Cam Bolts are somewhat smaller than the **c1 Cam Bolts**. While **c1 Cam Bolts** will screw into pre-installed metal cam anchors, **c3 Cam Bolts** screw directly into the Panel.

Step 6: Doors

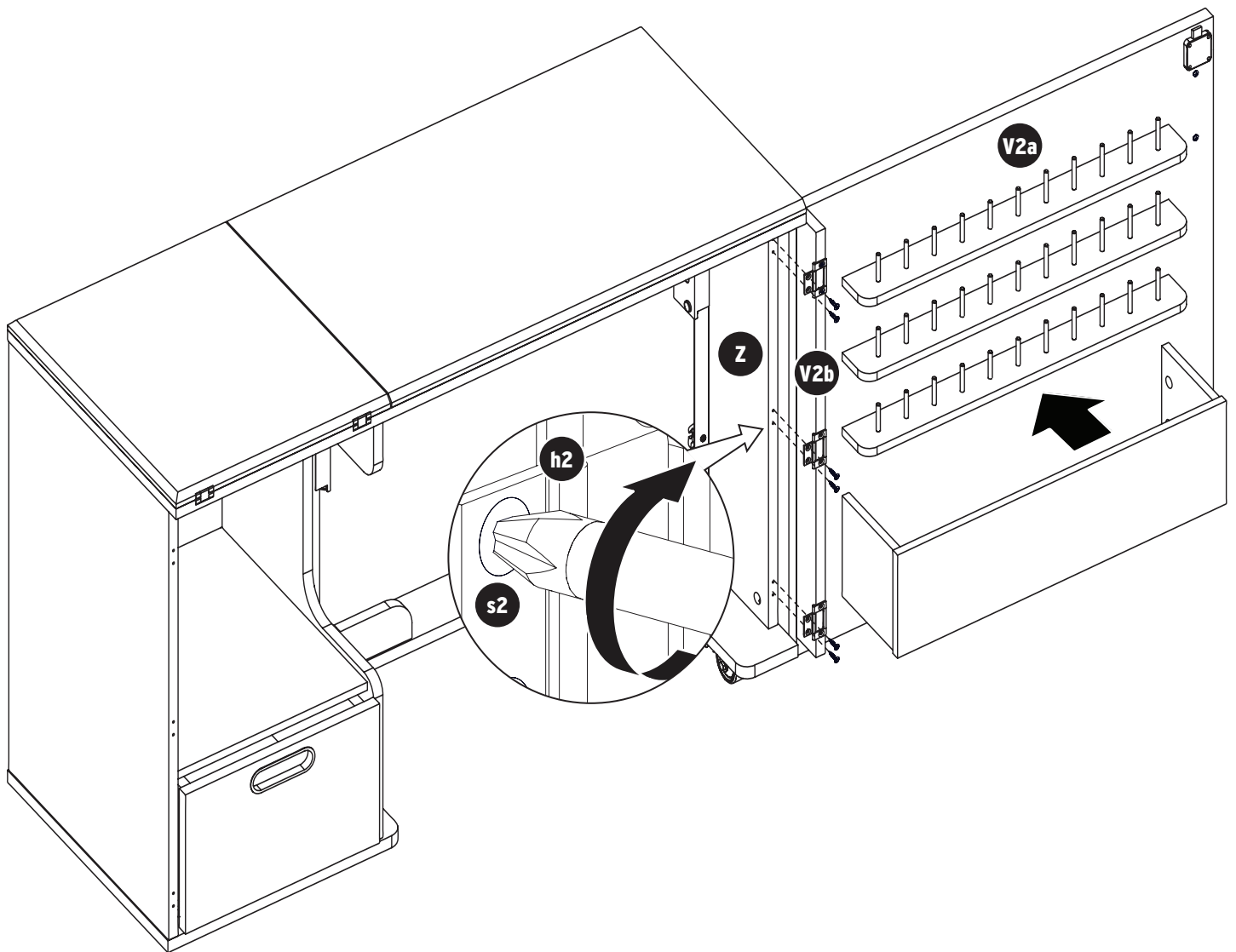


Insert **c1 Cam Bolts** on **Panel V2a** into cams on **Panel V2b**. Tighten and apply **Cam Covers**

Insert **c3 Cam Bolts** on **Panel V2a** into cams on **Panels K2 (bottom) and K3 (sides)**. Tighten and apply **Cam Covers**

Attach **h2 Flush Hinges** to **Panel V2b** with **s2 Screws** as illustrated above

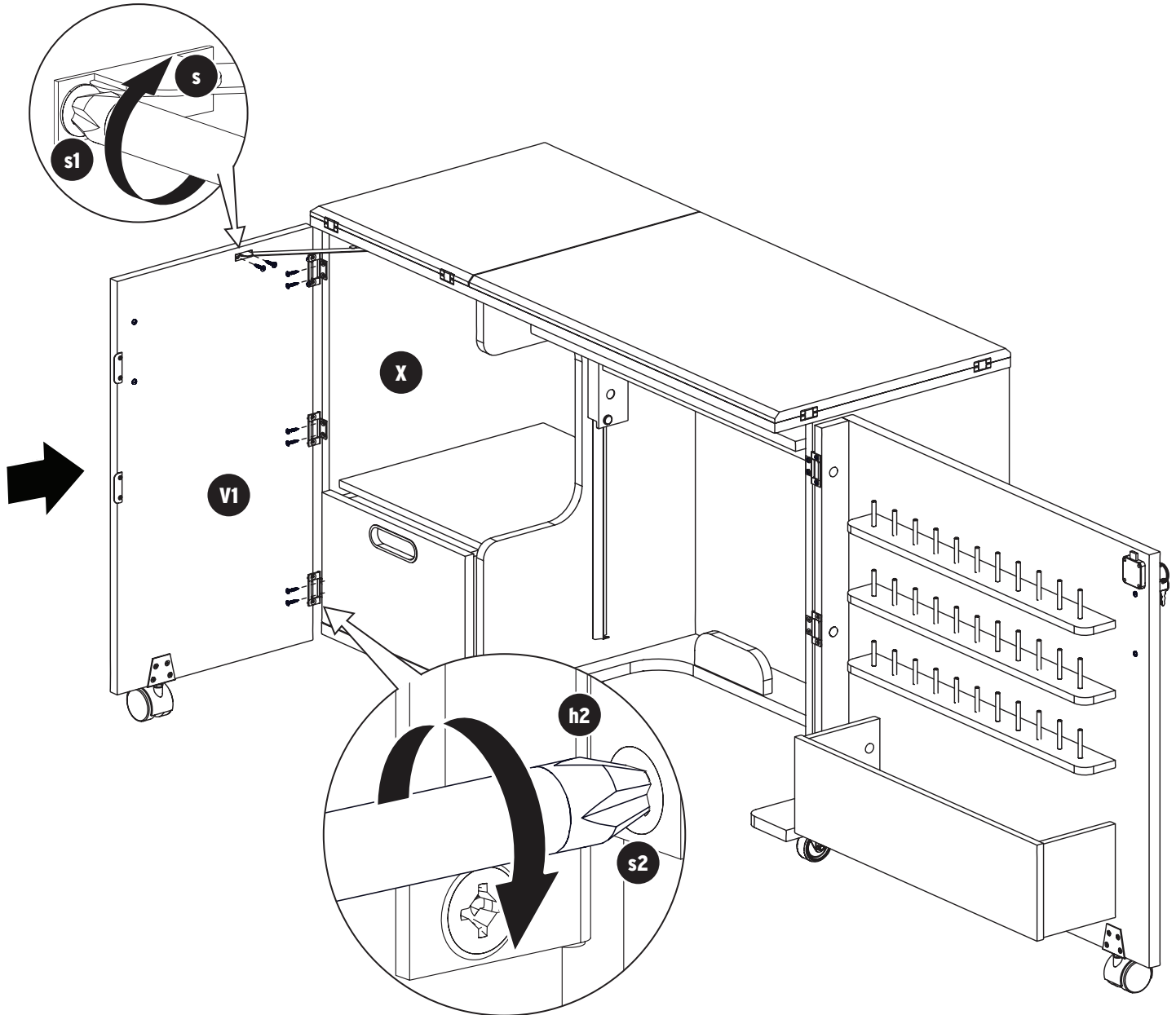
Step 6: Doors



Attach **h2 Flush Hinges** on **Panel V2b** to **Panel Z** with **s2 Screws** as illustrated here. You may find it helpful to have a friend help you hold the door steady as you attach the hinges, but it is not required.

A SPECIAL NOTE ABOUT USING TABLETOP LEAVES: Do **NOT** extend the leaves until you have support panels in place. Doing so may damage the cabinet and void your warranty.

Step 6: Doors



Attach **h2 Flush Hinges** on **Panel V1** to **Panel X** with **s2 Screws**.

You may find it helpful to have a friend help you hold the door steady as you attach the hinges, but it is not required.

Attach **s Stay Arm** with **s1 Screws** to **Panel V1**

Step 7: Electric Lift Cord Management

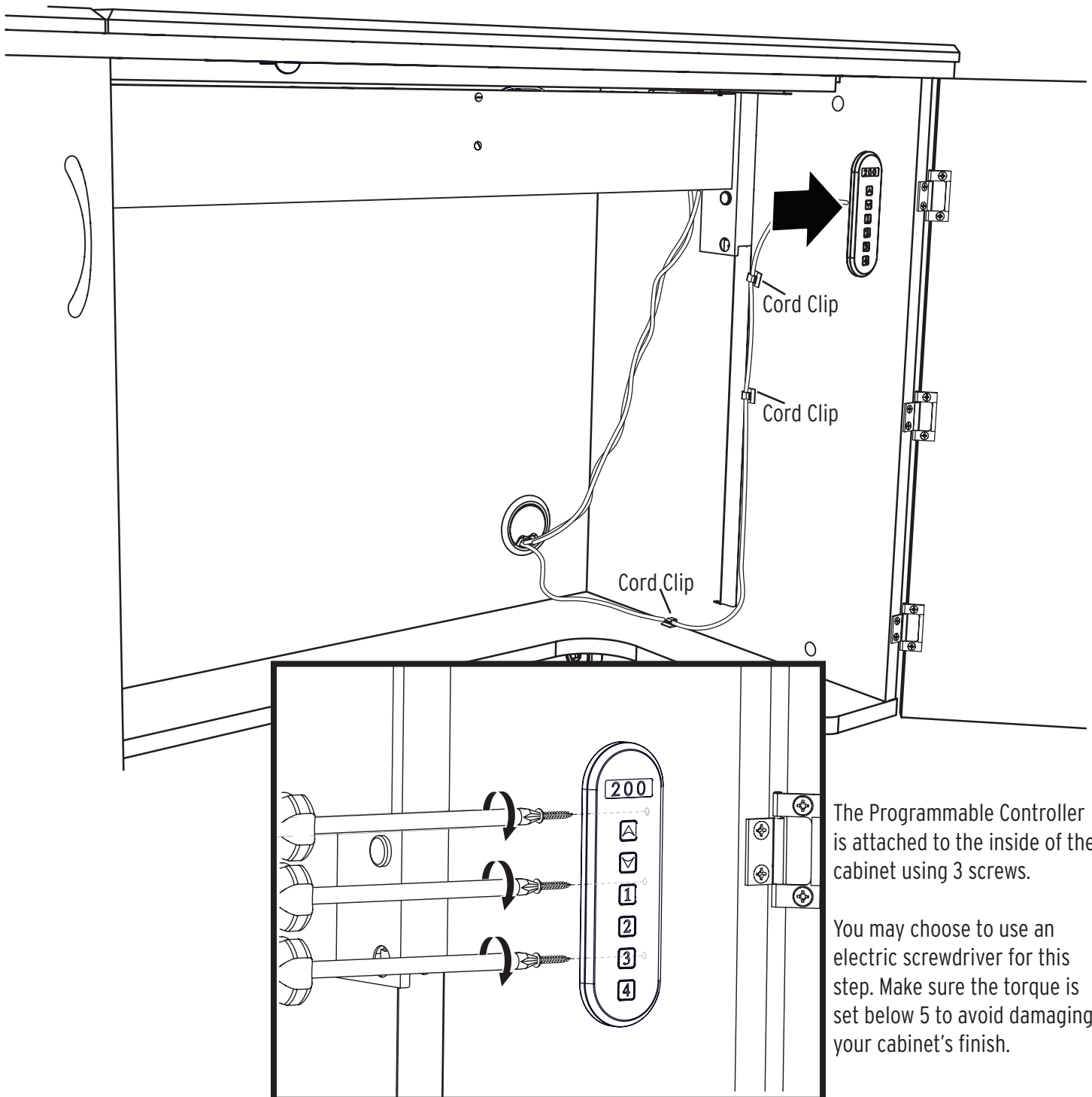
To control the cords coming from your electric lift, twist them together and feed them through the cord port in your cabinet's lower right back corner. DO NOT USE Cord Clips on the cords coming from the Electric Lift.

Attach the Programmable Controller with the screws provided. Scan this QR code for a printable template:



OPTIONAL: You may use Cord Clips on the wire coming from the Programmable Controller, as shown below.

NOTE: When securing cords with Cord Clips, be careful to keep cords from crossing over the lift rails.



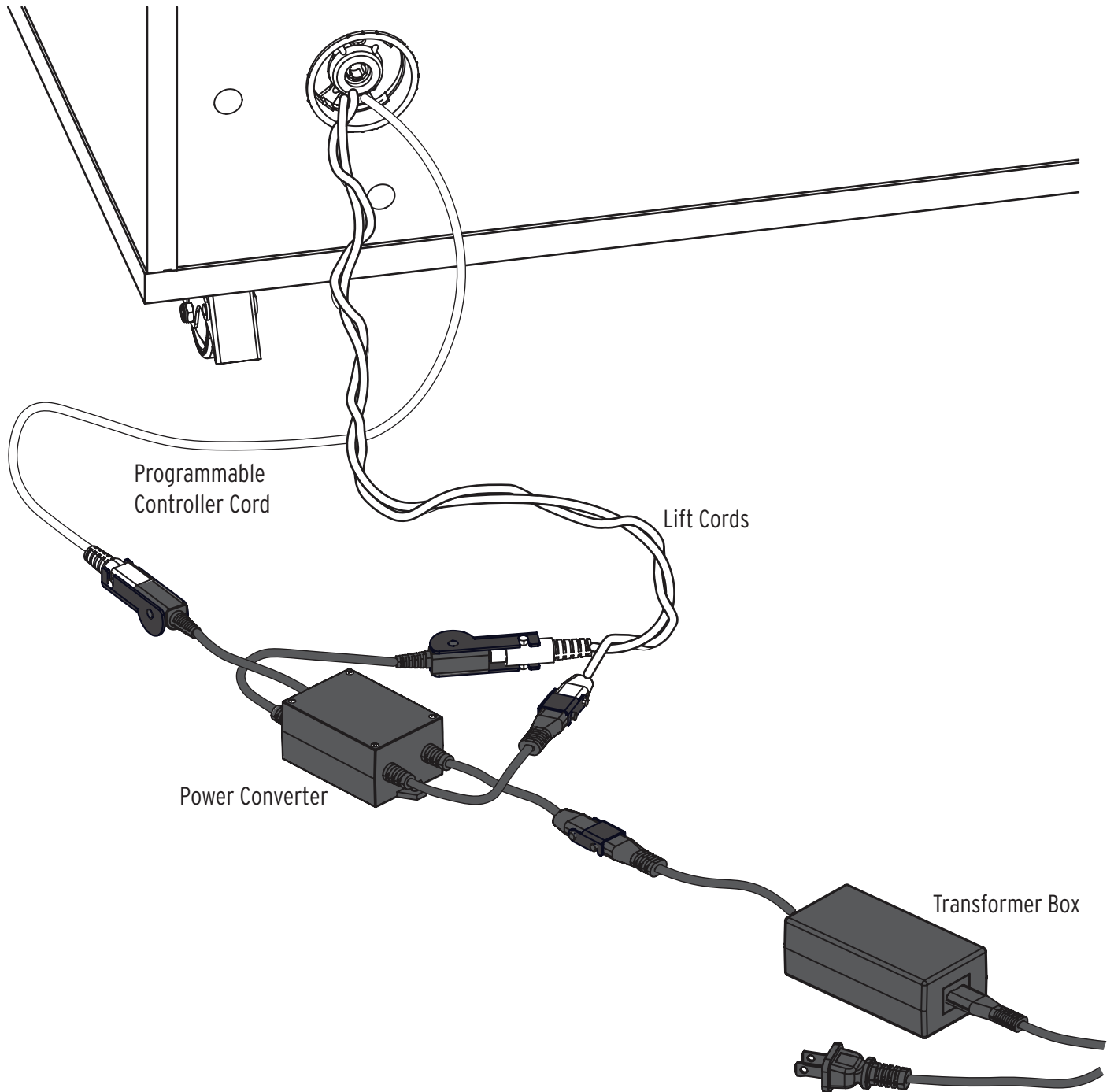
The Programmable Controller is attached to the inside of the cabinet using 3 screws.

You may choose to use an electric screwdriver for this step. Make sure the torque is set below 5 to avoid damaging your cabinet's finish.

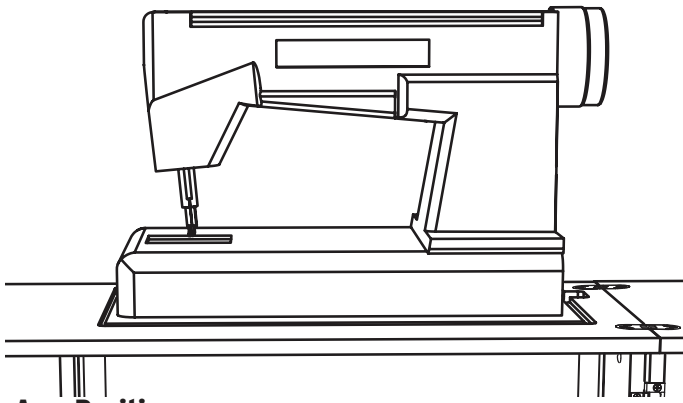
Step 7: Electric Lift Cord Management

Carefully feed the twisted cords from the Electric Lift and the Programmable Controller through the Cord Port and plug them in to the Power Converter.

NOTE: Each cord and cord receptacle has a different pin pattern, making it easy to match the cords to the Power Converter.

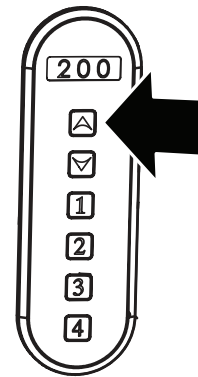


Step 8: Electric Lift Positioning And Programming

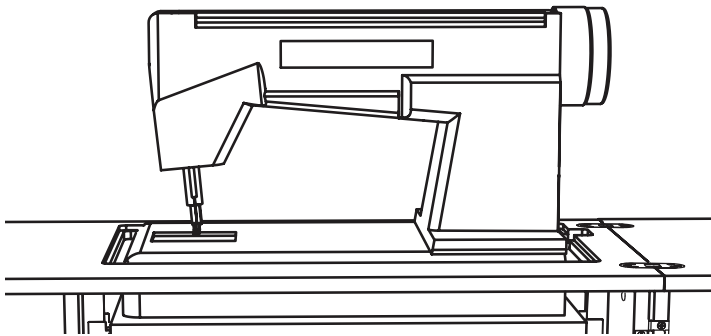


Free Arm Position:

Also known as “tabletop sewing,” this is the favored sewing position to use for hems, cuffs, and other small, curved pieces.

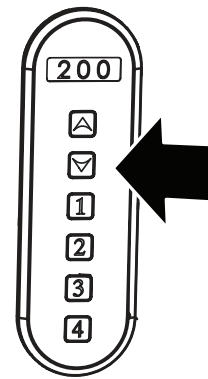


Press and hold the UP button on your controller to position your lift platform in the uppermost position. Press and hold the preset position of your choice for 5 seconds. Free Arm Position is now pre-set.

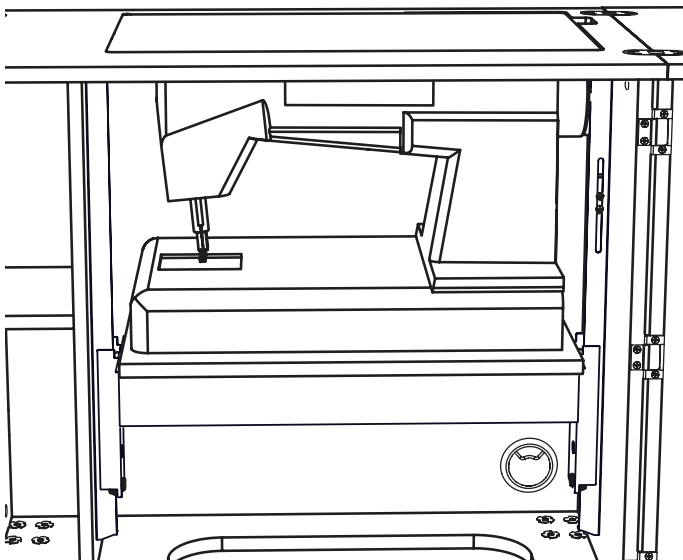


Flatbed Position:

Flatbed Position is perfect for sewing larger, heavier projects and is the most comfortable way to sew. Add a custom acrylic insert for a custom fit to your specific machine and cabinet to experience a truly ergonomic sewing session.

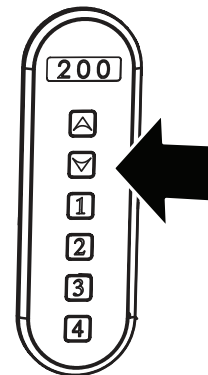


Press and hold the DOWN button on your controller until the throat plate on your machine is level with the tabletop. Press and hold the preset position of your choice for 5 seconds. Flat Bed Position is now pre-set.



Storage Position:

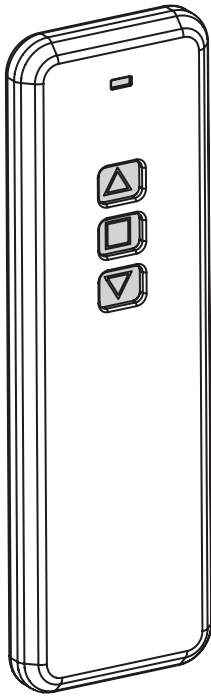
Your sewing machine is now safely stored in the belly of your sewing cabinet! If your cabinet includes a sewing well cover, you may place that over your sewing well and use your cabinet as a desk.



Press and hold the DOWN button on your controller until the platform is completely lowered. Press and hold the preset position of your choice for 5 seconds. Storage Position is now pre-set.

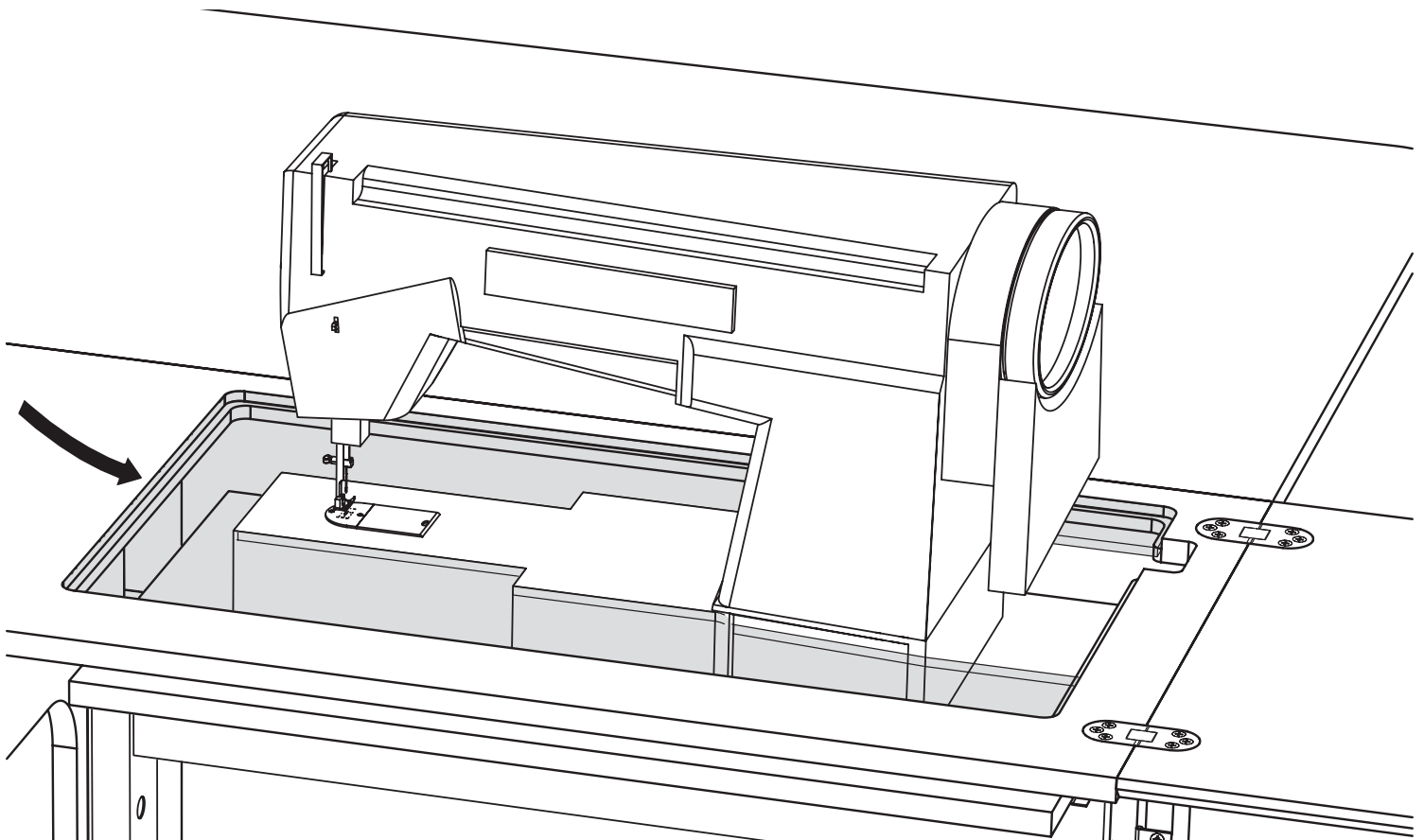
NOTE: Use your preset functions your own way! You can set Flatbed Position for multiple machines or preset positions for Storage or Free Arm positions. The choice is yours!

Step 8: Electric Lift Positioning And Programming



Use your Remote Control to move your machine up and down from across the room! Press the UP or DOWN button to move the lift, and the center STOP button to stop.

Using the control pad or the remote control, move the lift back into the flatbed position. Check to make sure that your machine is now sitting at the right height for comfortable, ergonomic flatbed sewing and adjust as necessary.



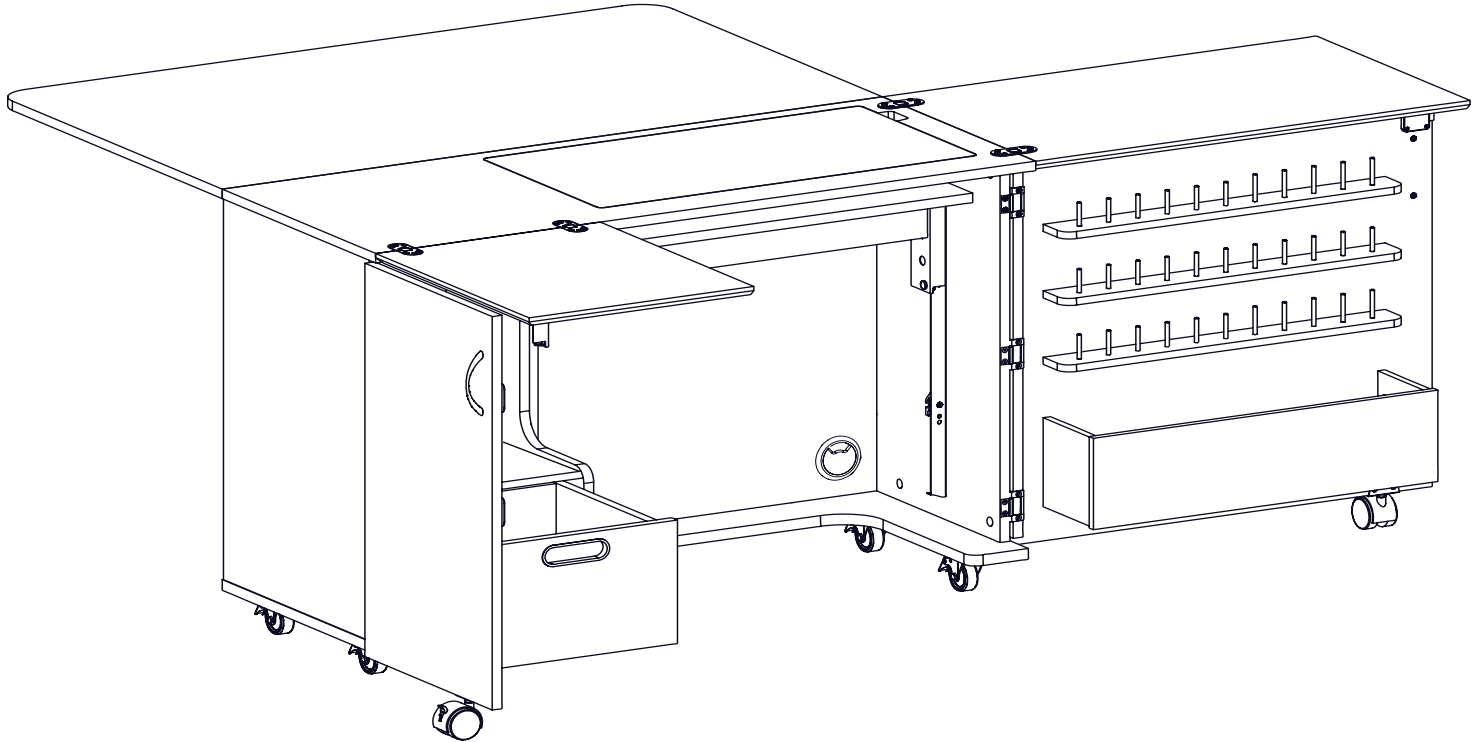
Place your Custom Acrylic Insert in the sewing well, fitting it around your machine. You now have a perfectly comfortable flat bed sewing cabinet! Say goodbye to hunched shoulders, tired wrists, and an aching back and hello to HAPPY SEWING!

To place an order for your own Custom Acrylic Insert, visit us online at ArrowSewing.com, or contact Arrow Sewing Customer Service at 1-800-533-7347 ext 1 during normal business hours.

Assembled Wallaby Cabinet

A SPECIAL NOTE ABOUT USING TABLETOP LEAVES: Do **NOT** extend the leaves until you have support panels in place. Doing so may damage the cabinet and void your warranty.

Note in the illustration below that both of the leaves are supported by the front doors. The quilt panel is supported by the gate leg attached to the back of the cabinet.



Congratulations! A better sewing experience awaits!

Find product and assembly help, including information on alternate lift installation and adjustment methods, at www.arrowsewing.com/assembly.



KANGAROO™
sewing furniture

LIMITED LIFETIME WARRANTY

Kangaroo™ Sewing Furniture Limited Lifetime Warranty

WHAT THIS WARRANTY COVERS: Arrow Companies, LLC "Arrow" provides a Limited Lifetime Warranty "Warranty" to the original purchaser of this product against defects in materials or workmanship of furniture components. As used in this Warranty, "defect" means imperfections in components which substantially impair the utility of the product. This Warranty gives you specific legal rights, and you may also have other rights which vary from state to state. Electrical and mechanical components of furniture are warranted for 5 years.

HOW TO GET SERVICE: Simply contact Arrow at 1-800-533-7347 or CS@ArrowSewing.com. When you request Warranty service, you must also present proof of purchase documentation, which includes the date of purchase (detailed receipt), and photos of the product. Arrow will replace any defective part (at its sole option), excluding labor. Replacement parts will be warranted for only the remaining period of the original Warranty.

Replacement parts will be shipped freight prepaid on any initial Warranty claim during first year of Warranty only. Warranty applies only to defects confirmed by Arrow and will be replaced or repaired at Arrow's option. In the event parts are no longer available for a Warranty claim, customer may receive a brand new cabinet at a price equal to 60% off the MSRP of a current comparable model.

WHAT'S NOT COVERED: There is no Warranty coverage for defects or conditions that result from the failure to follow product assembly instructions, information or warnings, misuse or abuse, intentional damage, fire, flood, alteration or modification of the product, or use of the product in a manner inconsistent with its intended use, nor any condition resulting from incorrect or inadequate maintenance, cleaning, care, or neglect, cuts or scratches, caster damage as a result of moving furniture fully loaded or with locked casters, damage resulting from electrical surge or lightning, or use in commercial or education environments. Kangaroo Sewing Furniture is designed for residential use only.

ARROW SHALL HAVE NO LIABILITY for ANY INCIDENTAL OR CONSEQUENTIAL DAMAGES OF ANY KIND and all such damages are EXCLUDED FROM THIS Warranty, such as loss of use, disassembly, transportation, labor, or damage to property on or near the product. Some states do not allow the exclusion or limitation of incidental or consequential damages, so the above limitation or exclusion may not apply to you. The Warranty cannot be transferred to subsequent owners or users of the product, and it shall be immediately void in the event the product is resold, transferred, leased or rented to any third party or person other than the original purchaser.

ADDITIONAL LIMITATIONS: THERE ARE NO OTHER WARRANTIES APPLICABLE TO THIS PRODUCT. Under the laws of certain states, there may be no implied warranties from Arrow and all implied warranties, INCLUDING ANY IMPLIED Warranty OF MERCHANTABILITY OR FITNESS FOR A PARTICULAR PURPOSE are disclaimed where allowed by law. TO THE EXTENT ANY IMPLIED WARRANTIES ARE APPLICABLE, ANY IMPLIED WARRANTIES, INCLUDING ANY IMPLIED Warranty OF MERCHANTABILITY OR FITNESS FOR A PARTICULAR PURPOSE, ARE LIMITED IN DURATION TO THE DURATION OF THIS EXPRESS Warranty or the minimum period allowed by law, whichever is shorter. Some states do not allow limitations on how long an implied Warranty lasts, so the above limitation may not apply to you. This limited Warranty gives you specific legal rights. This limited Warranty does not, in any way, affect the rights given to you by law.

REGISTER YOUR PRODUCT: Original purchaser should register the purchase online at www.ArrowSewing.com/Warranty.

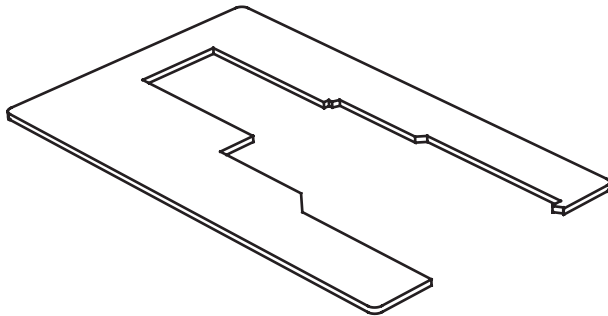
SEW IN COMFORT. SEW LONGER.™



Accessories to Complete Your Sewing Studio

Custom Insert

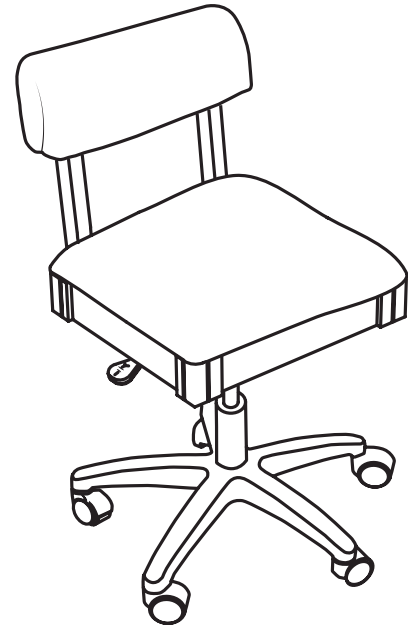
Enhance your sewing experience with a custom acrylic sewing insert! Custom acrylic sewing inserts are designed to fill the gap between your sewing machine and sewing cabinet's lift opening to create a flush, ergonomic surface for flat bed sewing. To ensure a perfect fit, custom acrylic sewing inserts are built specifically for your sewing machine and sewing cabinet combination. Say hello to happy wrists, straighter stitches, and an elevated sewing experience!



Insert

Arrow Sewing Chairs

Arrow's #1 Rated Height Adjustable Sewing Chair is a must have accessory for your dream sewing room! Cute, comfortable and convenient - our lovable sewing chairs feature vibrant sewing themed patterns, 360 swivel access and lumbar support for long hours at your workstation. Don't look now, but under every seat cushion is a hidden storage compartment to store your notions and patterns! Available in 10 colors to perfectly match your sewing sanctuary!



Height Adjustable Sewing Chair

P.O. Box 410 Elkhorn, WI 53121
1-800-533-7347 Ext. 1
CS@ArrowSewing.com
www.ArrowSewing.com

11-24