

ARROW[®]

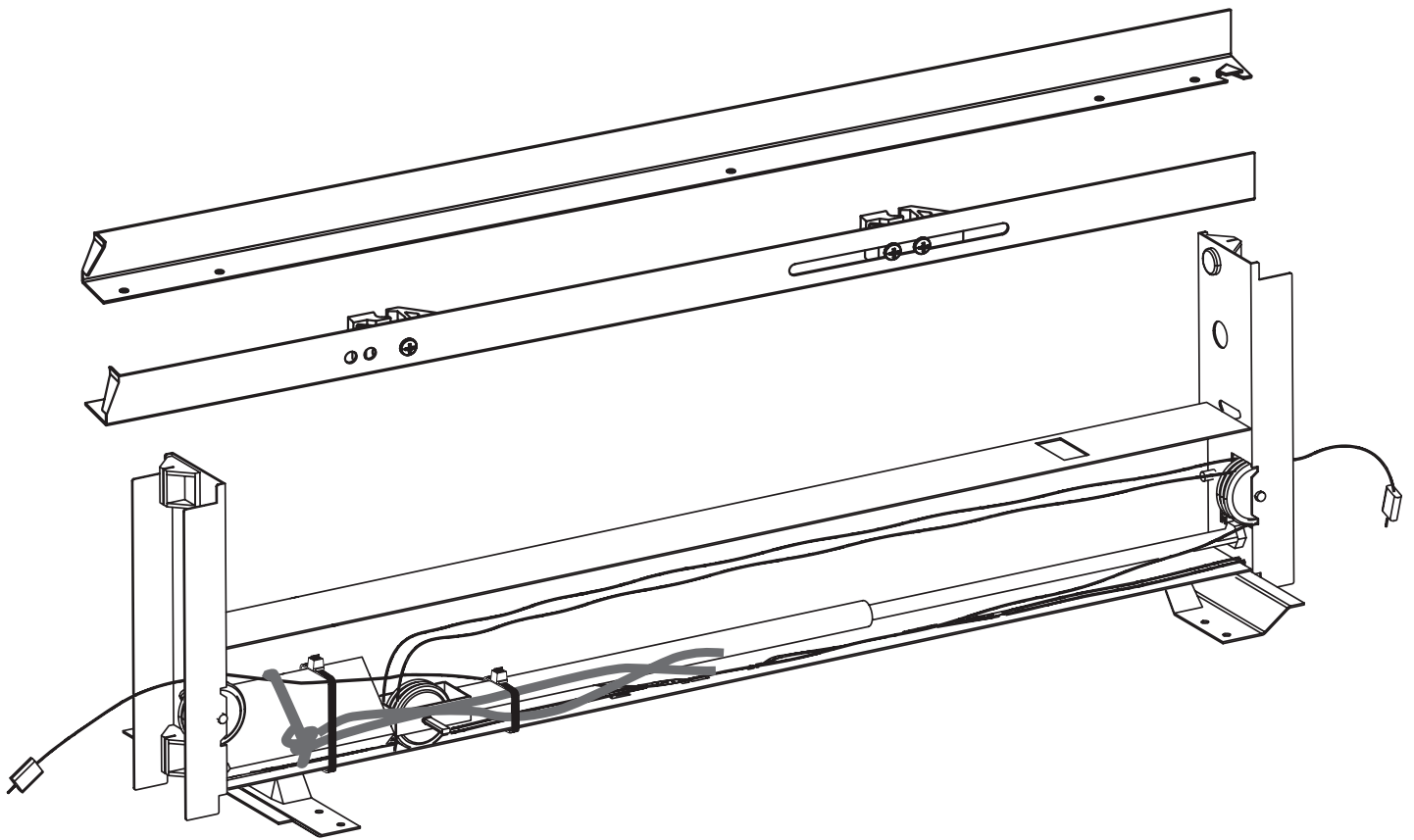
SEWING

arrow[™]
classic sewing furniture

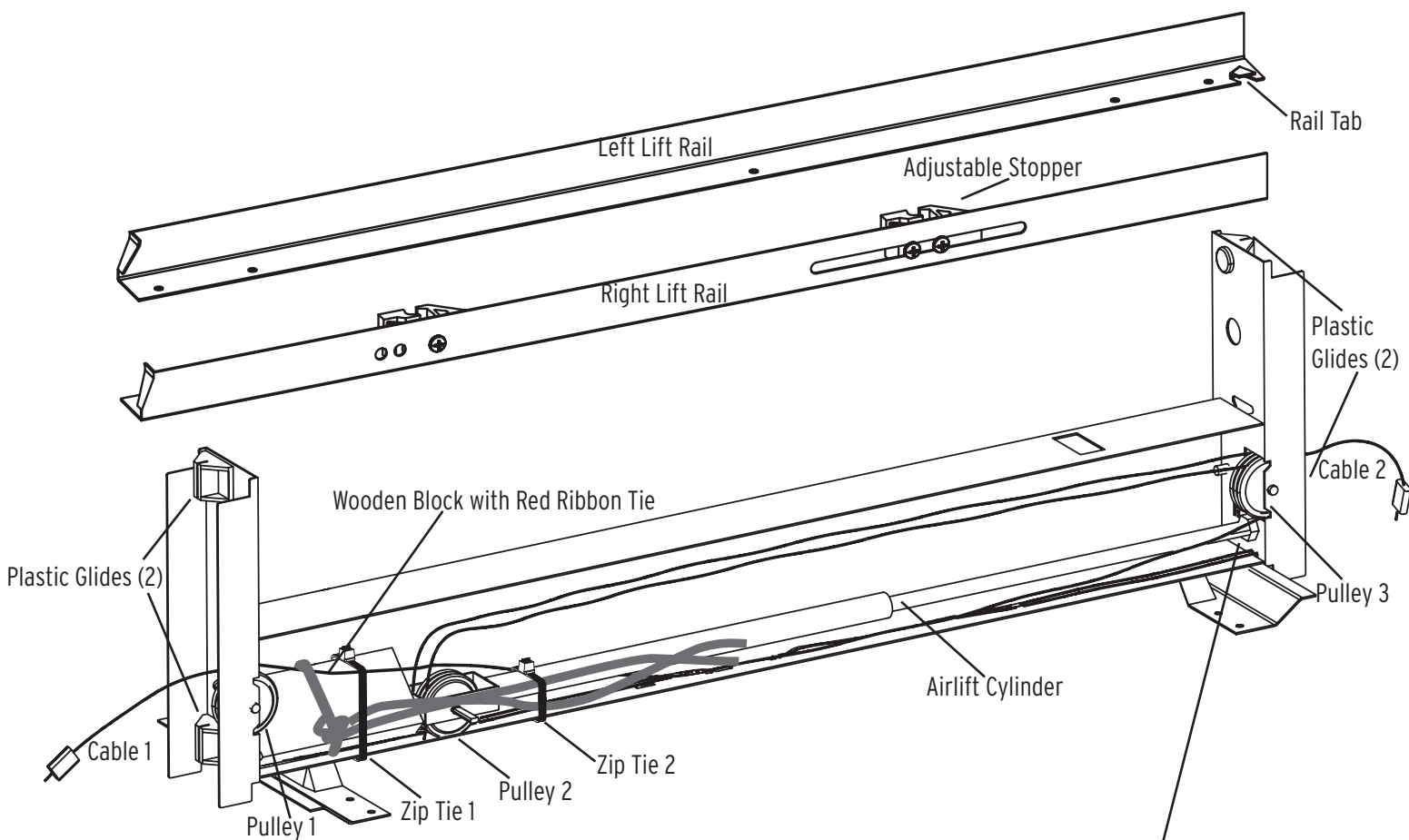
KANGAROO[®]
sewing furniture

INSTRUCTION MANUAL

Hydraulic Lift



Lift Parts

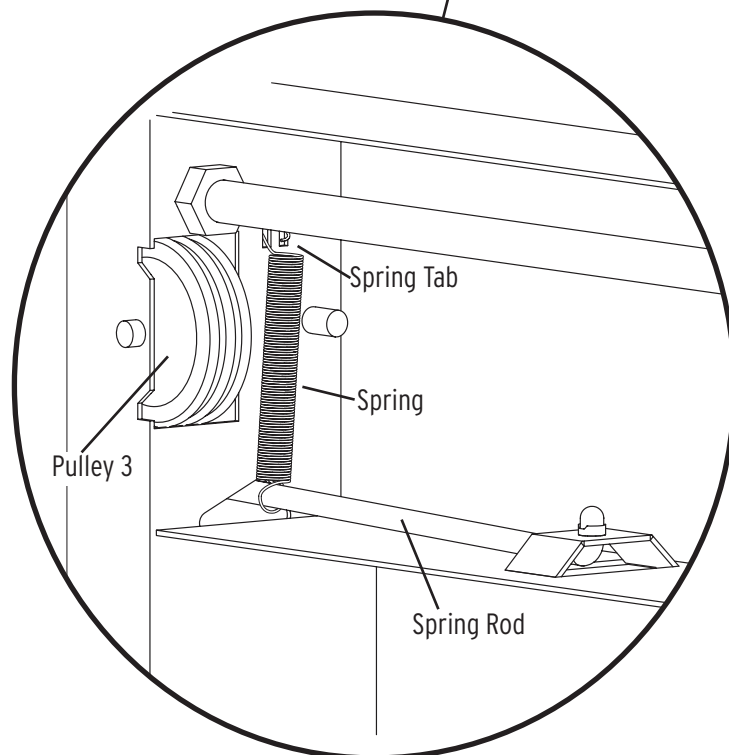


DO NOT CUT/REMOVE ZIP TIES, WOOD BLOCK, OR RED RIBBON TIE UNTIL THE LIFT HAS BEEN INSTALLED IN YOUR CABINET.

Check these parts and mechanisms before proceeding:

- **Plastic Glides** should be aligned
- **Spring** should be hooked into the **Spring Tab** and **Spring Rod**
- **Spring Rod** should move freely - make sure it is not stuck to the lift frame.

If any part or mechanism is misaligned or not working properly, contact Arrow Sewing Customer Service! You can email anytime at cs@arrowsewing.com or give us a call at 1-800-533-7347, ext. 1 during normal business hours.



Preparation

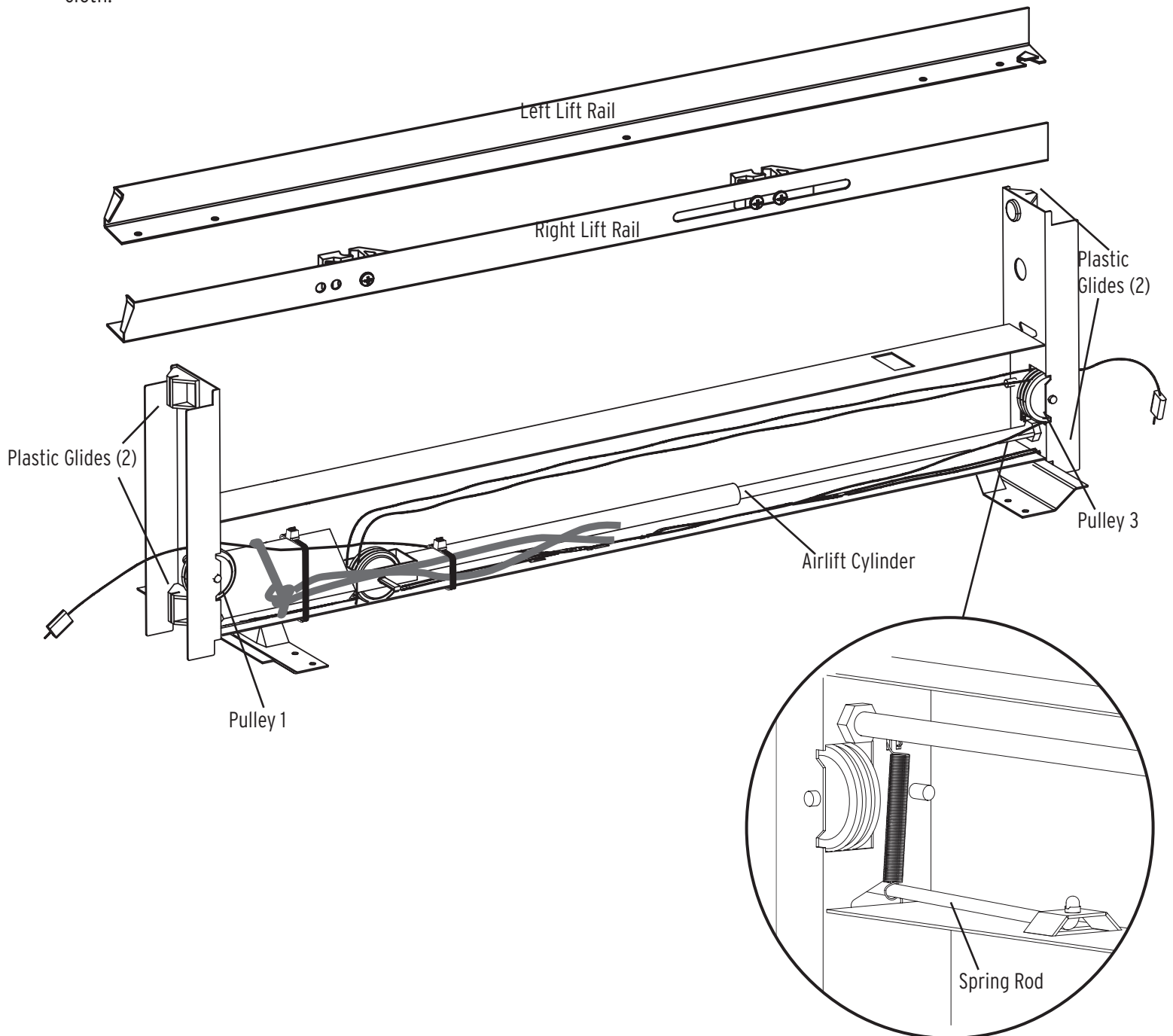
Once you have checked your lift parts to ensure everything is working properly, it's time to lubricate your lift! Grab some WD-40 or similar lubricant and some paper towels or other cloth.

Spray a small amount of lubricant on the **Lift Rails** and wipe them down with a dry paper towel or cloth.

Spray a small amount of lubricant on the silver part of the **Air Lift Cylinder** and wipe it down with a dry paper towel or cloth.

Spray a small amount of lubricant on the **Plastic Glides** (two on each side of the lift), **Pulley 1** and **Pulley 3**. Wipe them down with a dry paper towel or cloth.

Spray the **Spring Rod** and wiggle it around to ensure it isn't stuck to the lift frame. Wipe it down with a dry paper towel or cloth.



Installation

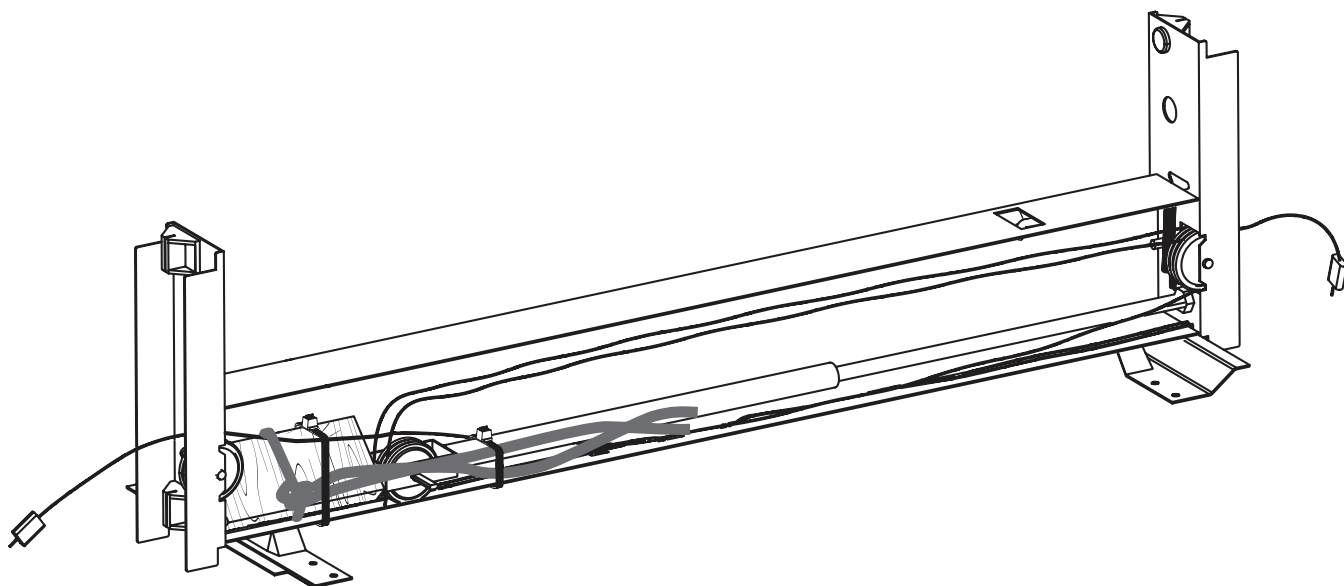
See the Assembly Manual for your cabinet for detailed instructions on attaching your **Lift Rails** to your cabinet and your **Lift** to the lifter platform. If you have misplaced your Assembly Manual, you can find a replacement at arrowsewing.com, email Arrow Sewing Customer Service at cs@arrowsewing.com, or you can call 1-800-533-7347, ext. 1, during normal business hours.

*For video instructions, visit www.arrowsewing.com/assembly and find the video *How to Adjust Your Hydraulic Sewing Lift*.*

WARNING:

DO NOT remove the small wooden block from the Lift until assembly is complete. If the block is removed or falls out before lift assembly is complete, the cables will retract, making installation more difficult. If the block falls out before complete assembly, please visit www.arrowsewing.com/assembly and find the "Alternate Sewing Lift Installation" video.

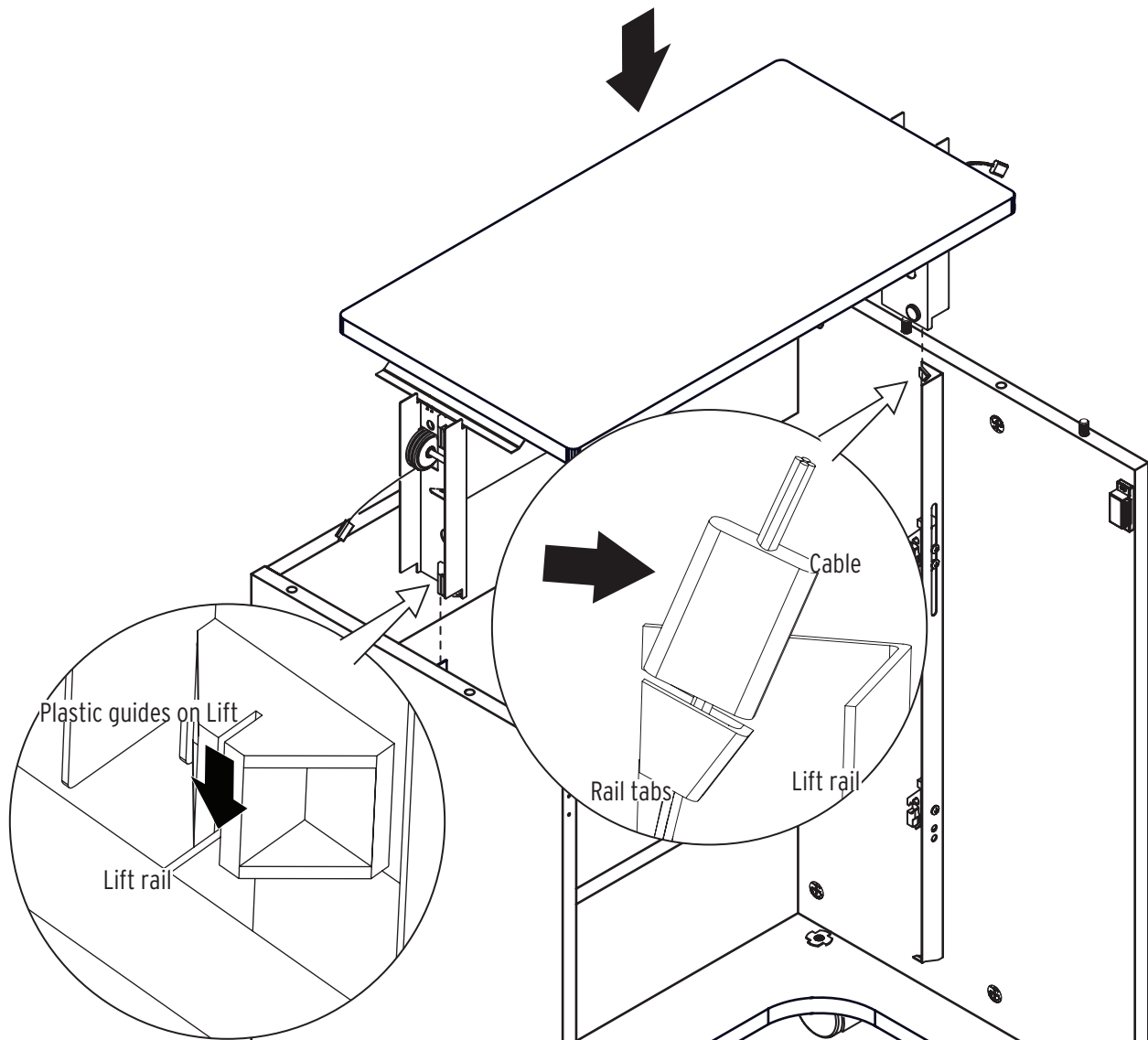
Still have questions? Call Arrow Sewing Customer Service at 1-800-533-7347, ext. 1 during normal business hours.



This illustration shows the back view of the **Lift**. Notice the wooden block, red ribbon, and zip ties; the wooden block holds the piston in place so that the cables can be easily handled and inserted into the **Lift Rails** installed on your cabinet.

Do not pull on the red ribbon or remove the zip ties just yet!

Installation



Guide **Lift** onto **Lift Rails** using plastic guides. Insert ends of cable into rail tabs; make sure the cable is hooked into the rail tabs on both sides.

Cut the zip ties on the lift, but DO NOT remove the block yet.

First lower the **Lift** to first lock position by firmly pushing down the sewing platform. **DO NOT ADJUST THE LIFT AGAIN UNTIL THE TOP OF THE CABINET IS INSTALLED.** Moving the lift back up before the top is installed will dislodge the cables from the rail tabs and uninstall your lift.

IF YOUR LIFT COMES OFF THE RAILS AND THE CABLES RETRACT, visit www.arrowsewing.com/assembly and find the "Alternate Sewing Lift Installation" video.

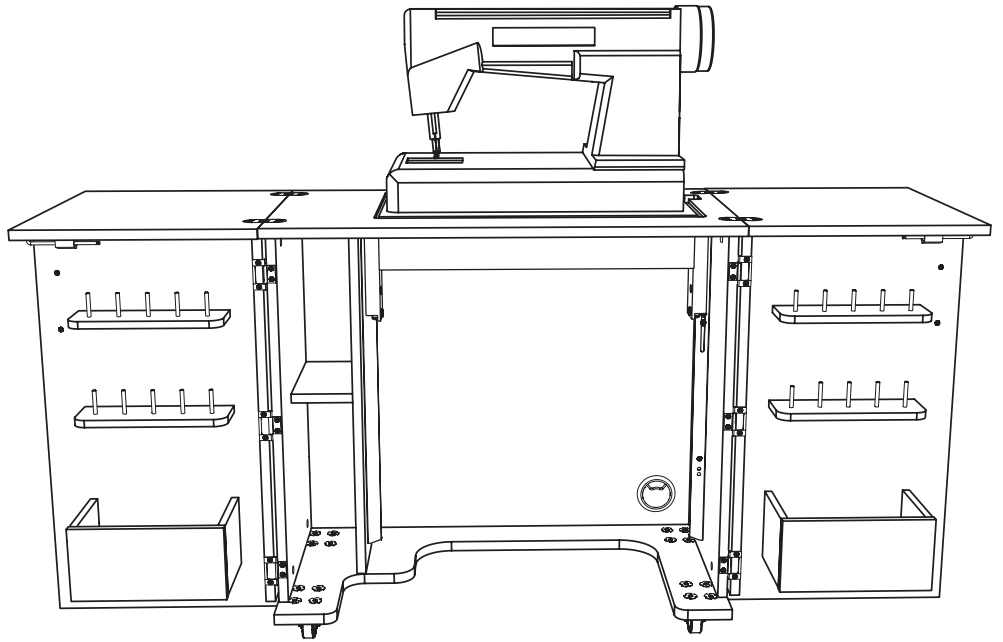
Still have questions? Email us anytime at cs@arrowsewing.com or give Arrow Sewing Customer Service a call for assistance at 1-800-533-7347, ext. 1 during normal business hours.

Once your cabinet is completely assembled, make sure that the zip ties and wooden block are removed. If the wooden block does not fall out on its own after the zip tie holding it is cut, pull on the red ribbons to dislodge it.

Using your Dual Rail Hydraulic Lift

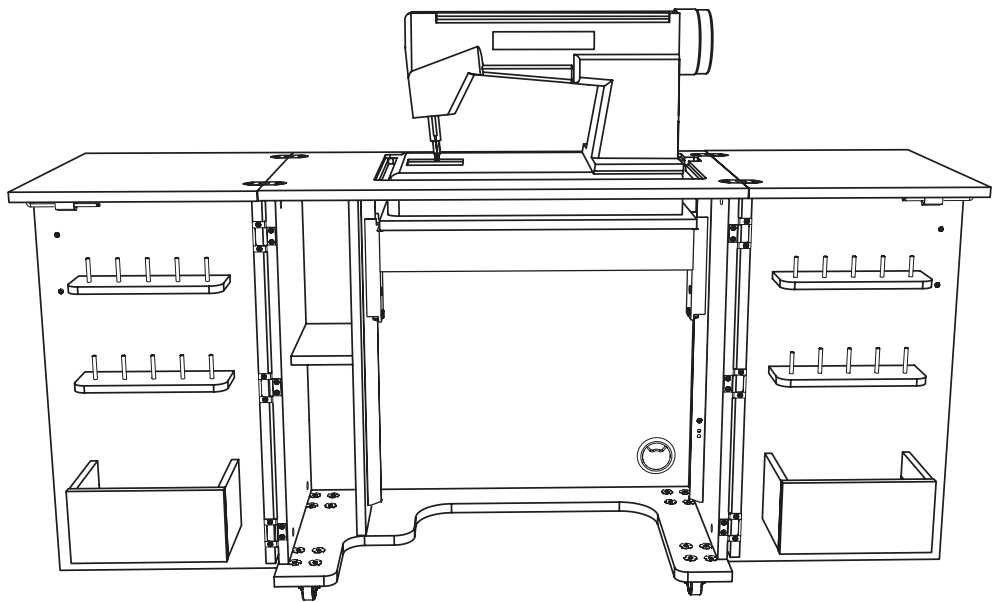
Free Arm Position:

When your sewing machine lift is raised to tabletop height, you are sewing in Free Arm Position. This is the favored sewing position to use for hems, cuffs, and other small, curved pieces.



Flatbed Position:

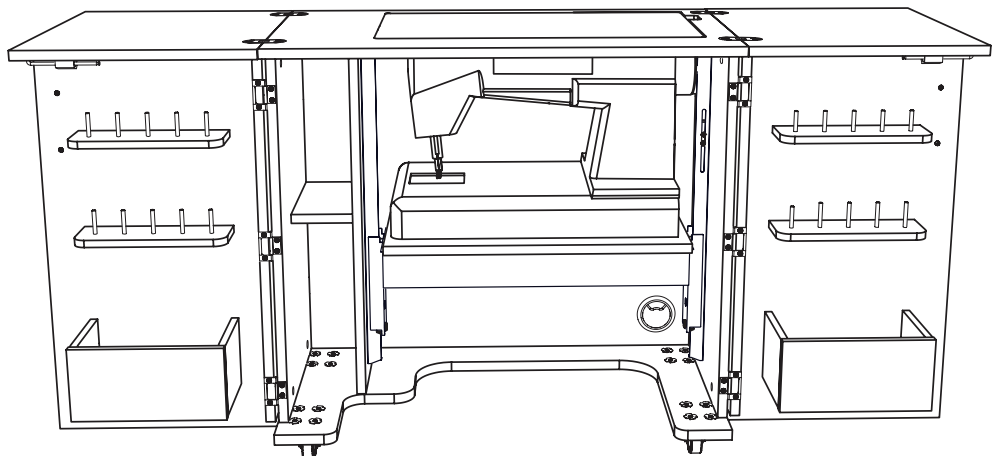
Push your sewing lift down until you hear a CLICK! Your sewing machine is now in Flatbed Position, perfect for sewing larger, heavier projects. Add a custom acrylic insert for a custom fit to your specific machine and cabinet to experience a truly ergonomic sewing session.



Storage Position:

From Flatbed Position, push your sewing lift down until you hear another CLICK! Your sewing machine is now safely stored away in the belly of your cabinet. If your cabinet includes a sewing well cover, you may place that over your sewing well and use your sewing cabinet as a desk.

To return to Free Arm Position, push down again. The lift lock will release and your machine will raise to tabletop height.



Height Adjustment

Most sewing machines will fit perfectly on the lift platform without adjusting the platform height. However, if your machine is sitting too low or too high when the lift is in flatbed position, you will need to adjust the height of your platform.

Gather the following supplies:

#3 Phillips Head Screwdriver or 5/32 Allen Key (check the bolts on the stopper mechanism on the Right Lift Rail to see what type of bolt was used.)

Scrap Paper or Sticky Note

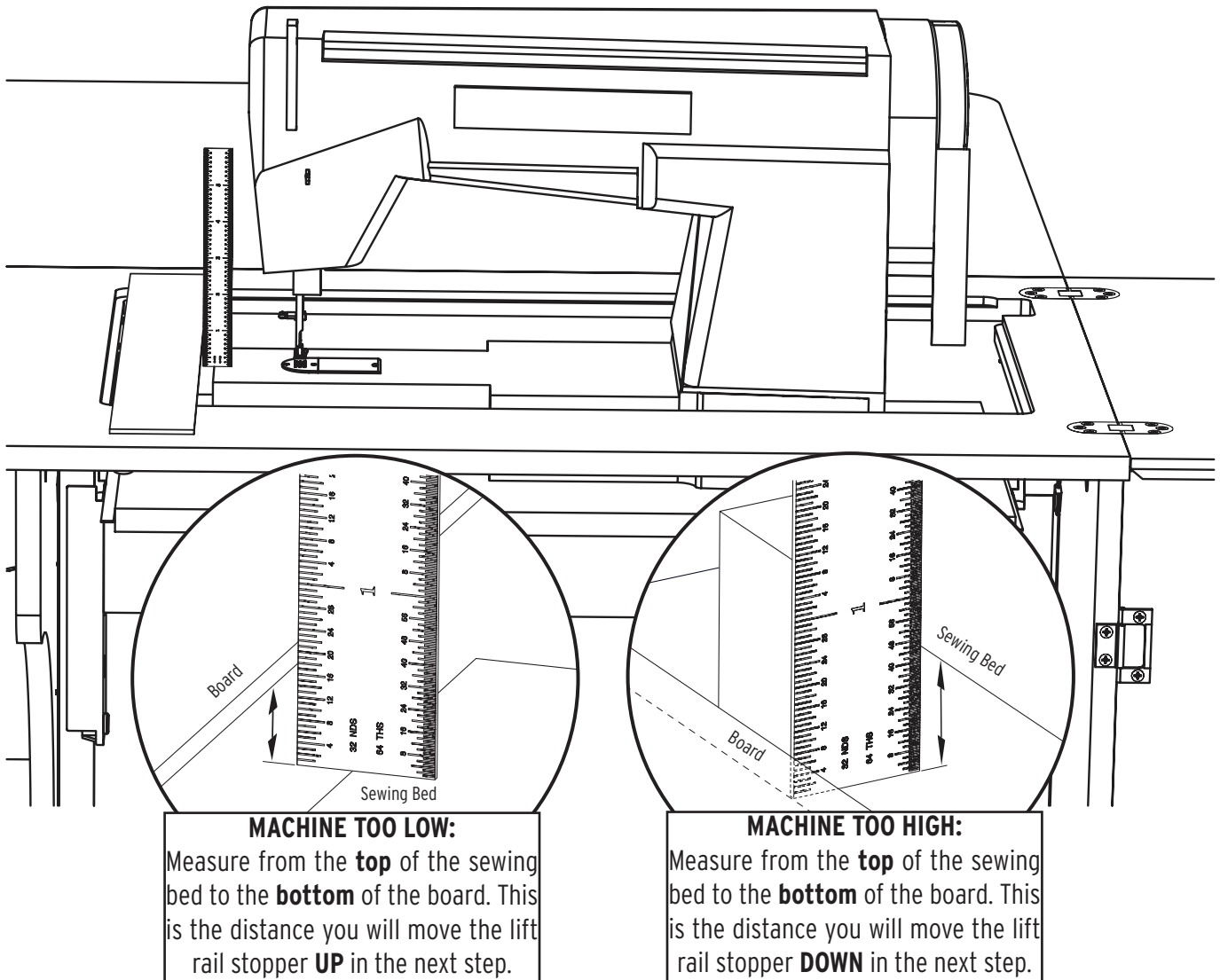
Pencil/writing instrument

Board or other long, flat object that will span your sewing well

Masking Tape

Ruler or Tape Measure

Step 1: Lower your machine into First Lock position. Lay your board across the sewing well. Measure from the top of your machine's sewing bed to the bottom edge of your board. Write this measurement down.

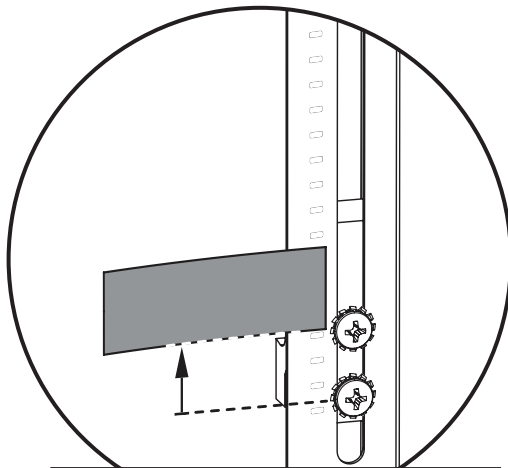


Height Adjustment

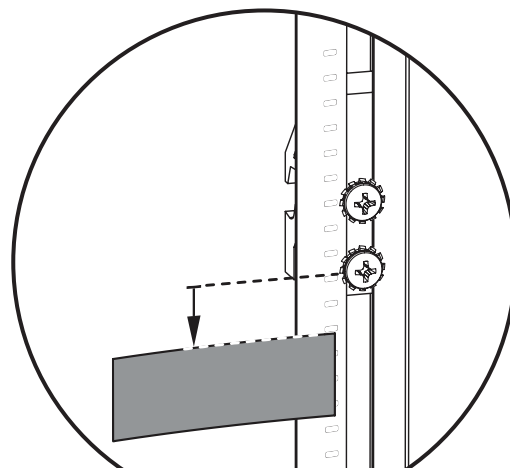
Step 2: Move the lift into Storage or Free Arm position before adjusting the rail. **DO NOT** attempt to adjust the lift with the lift in Flatbed position.

Locate the nylon stopper on the right Lift Rail. It is held in place with 2 screws or bolts. **CHECK YOUR BOLTS.** Phillips Head bolts will require a #3 Phillips Head screwdriver. Metric bolts will take a 5/32 Allen Wrench - the same size that came with your lift packaging.

Measure from the center of the bottom bolt either UP (for machines that are sitting too low in the cabinet) or DOWN (for machines sitting too high) the same measurement you recorded in Step 1. Mark with a piece of tape as shown:



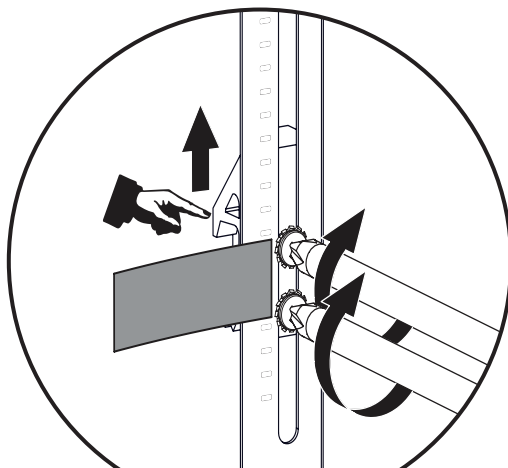
MACHINE TOO LOW:
Measure from the center of the bottom bolt. Mark with a piece of tape.



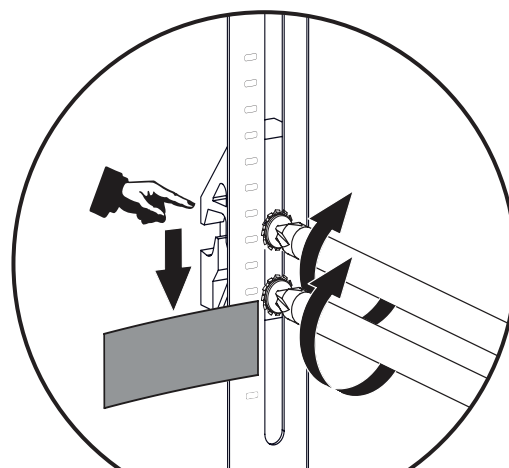
MACHINE TOO HIGH:
Measure from the center of the bottom bolt. Mark with a piece of tape.

Step 3: Loosen both screws but **DO NOT COMPLETELY REMOVE THEM.** Loosening the screws will allow your stopper to slide up and down easily.

Move your stopper UP (for machines that are too low) or DOWN (for machines that are too high) so that the bottom screw is positioned at your new measurement point, as marked with tape.



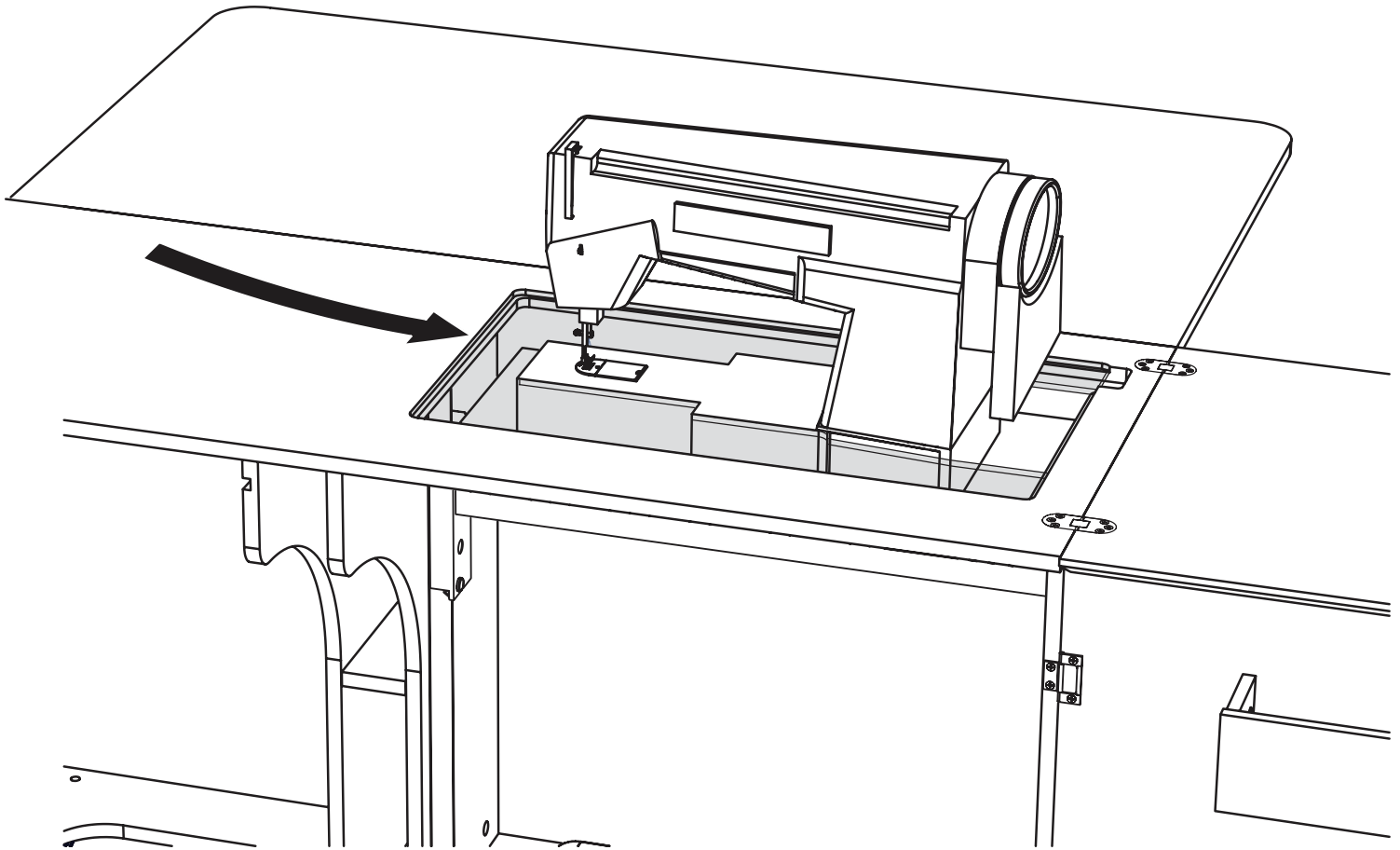
MACHINE TOO LOW:
The center of the bottom screw is now aligned with your new measurement point. Tighten both screws.



MACHINE TOO HIGH:
The center of the bottom screw is now aligned with your new measurement point. Tighten both screws.

Height Adjustment

Step 4: Move the lift back into the flatbed position. Check to make sure that your machine is now sitting at the right height for comfortable, ergonomic flatbed sewing! Make adjustments as necessary, following steps 1 through 3.



Place your Custom Acrylic Insert in the sewing well, fitting it around your machine. You now have a perfectly comfortable flat bed sewing cabinet! Say goodbye to hunched shoulders, tired wrists, and an aching back and hello to HAPPY SEWING!

To place an order for your own Custom Acrylic Insert, contact Arrow Sewing Customer Service at 1-800-533-7347 ext 1 during normal business hours, or visit us online at ArrowSewing.com.

Troubleshooting

<p>My lift won't move</p>	<p>Are you putting enough pressure on the platform? You will need at least 40 lbs of pressure to move your lift easily. Try placing your sewing machine on the platform before operation. If your lift is still stuck, check to make sure that your Spring Rod isn't stuck to the lift frame and the Spring is attached to the Spring Rod and Spring Tab.</p>
<p>My lift is stuck in the Storage Position</p>	<p>Spray WD-40 or similar lubricant spray onto the sides of your lift. Spray the Lift Rails and the back of the Lift assembly. Wait a few minutes, and then push down strongly on the platform. Try pushing down a few times to disengage the Spring Rod from the Stopper.</p> <p>If your lift still does not release, you will need to reposition the bottom stopper into the lower hole on the stopper and the uppermost hole on the rail. Contact Customer Service at cs@arrowsewing.com or 1-800-533-7347, ext. 1 for details.</p>
<p>My lift will not lock into position</p>	<p>Check that the Spring Rod and Spring Pin are attached and free from any buildup. If your cabinet is already assembled, remove the Lift Platform (the platform that you screwed the lift mechanism onto) with 4 screws to access the back of the Lift. Verify that the Spring is attached to both the Spring Rod and the Spring Tab and that all parts are lubricated. Re-lubricate with WD-40 or similar lubricant if necessary. Move the Spring Rod around (it should move freely). For further assistance, contact Customer Service at cs@arrowsewing.com or 1-800-533-7347, ext. 1.</p>
<p>My lift platform hits/rubs against the top panel of my cabinet</p>	<p>Check that the white glides are aligned around the rails - remember there are 2 white glides on either side of the lift. If the glides come off track, you can reinstall the lift via the Alternate Lift Installation method - find the video at arrowsewing.com/assembly.</p> <p>Once you have verified that your rail glides are aligned, you can also reposition the lift platform by removing the screws and using cardboard or another spacer around the edges of your platform to ensure proper alignment and clearance. Contact Customer Service at cs@arrowsewing.com or 1-800-533-7347, ext. 1 for further guidance.</p>
<p>My lift platform is uneven in the Free Arm position</p>	<p>Contact Customer Service at cs@arrowsewing.com or 1-800-533-7347, ext. 1 for screws and 1/4" washers. Place your lift in Free Arm or Flatbed position. Remove the screws from the lift platform in the area(s) where your lift is too low. Once the screws are removed, you should be able to slightly raise the platform to put washers between the lift and the panel. If you need to use multiple washers, tape them together - this makes them easier to work with, and the screws will pierce the tape when you reinstall them. After all screws have been tightened down, bring your lift back to Free Arm position. Your lift platform should now be level.</p>



LIMITED WARRANTY

Arrow Sewing Furniture 5-Year Warranty

WHAT THIS WARRANTY COVERS: Arrow Companies, LLC (Arrow) provides limited warranty coverage to the original purchaser of this product against defects in materials or workmanship of Arrow lift components for a period of five years from the date of purchase. As used in this Warranty, "defect" means imperfections in components which substantially impair the utility of the product. This Warranty gives you specific legal rights, and you may also have other rights which vary from state to state.

HOW TO GET SERVICE: Simply contact Arrow at 1-800-533-7347 or CS@ArrowSewing.com. When you request warranty service, you must also present proof of purchase documentation, which includes the date of purchase (detailed receipt), and photos of the product. Arrow will replace any defective part (at its sole option), excluding labor. Replacement parts will be warranted for only the remaining period of the original Warranty.

Replacement parts will be shipped freight prepaid on any initial warranty claim during first year of Warranty only. Warranty applies only to defects confirmed by Arrow Companies, LLC and will be replaced or repaired at Arrow's option. In the event parts are no longer available for a warranty claim, customer may receive brand new lift at a price equal to 60% off the MSRP of a current comparable model.

WHAT'S NOT COVERED: There is no Warranty coverage for defects or conditions that result from the following: Failure to follow product assembly instructions, information or warnings; misuse or abuse; intentional damage; fire, flood, alteration or modification of the product; use of the product in a manner inconsistent with its intended use; any condition resulting from incorrect or inadequate maintenance, cleaning, care or neglect; cuts or scratches; damage resulting from electrical surge or lightning; or use in commercial or education environments. Arrow Sewing Furniture is designed for residential use only.

ARROW SHALL HAVE NO LIABILITY for ANY INCIDENTAL OR CONSEQUENTIAL DAMAGES OF ANY KIND and all such damages are EXCLUDED FROM THIS WARRANTY, such as loss of use, disassembly, transportation, labor or damage to property on or near the product. Some states do not allow the exclusion or limitation of incidental or consequential damages, so the above limitation or exclusion may not apply to you. The Warranty cannot be transferred to subsequent owners or users of the product, and it shall be immediately void in the event the product is resold, transferred, leased or rented to any third party or person other than the original purchaser.

ADDITIONAL LIMITATIONS: THERE ARE NO OTHER WARRANTIES APPLICABLE TO THIS PRODUCT. Under the laws of certain states, there may be no implied warranties from Arrow and all implied warranties, INCLUDING ANY IMPLIED WARRANTY OF MERCHANTABILITY OR FITNESS FOR A PARTICULAR PURPOSE are disclaimed where allowed by law. TO THE EXTENT ANY IMPLIED WARRANTIES ARE APPLICABLE, ANY IMPLIED WARRANTIES, INCLUDING ANY IMPLIED WARRANTY OF MERCHANTABILITY OR FITNESS FOR A PARTICULAR PURPOSE, ARE LIMITED IN DURATION TO THE DURATION OF THIS EXPRESS WARRANTY or the minimum period allowed by law, whichever is shorter. Some states do not allow limitations on how long an implied Warranty lasts, so the above limitation may not apply to you. This limited warranty gives you specific legal rights. This limited warranty does not, in any way, affect the rights given to you by law.

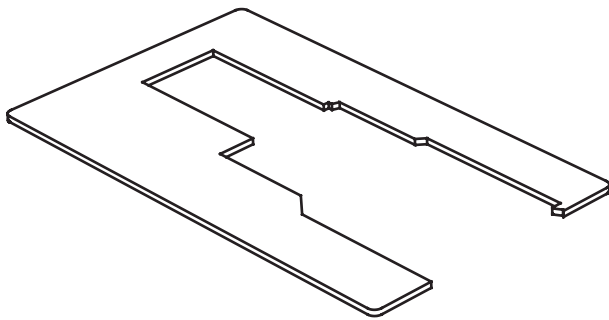
REGISTER YOUR PRODUCT: Original purchaser should register the purchase online at www.ArrowSewing.com/warranty.

COMPLETE YOUR SEWING STUDIO!

Elevate your sewing experience with Arrow's **Best-Selling** Accessories!

Custom Sewing Inserts

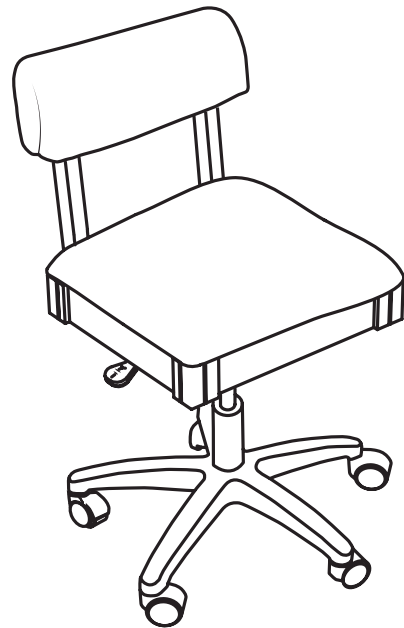
Enhance your sewing experience with a custom acrylic sewing insert! Custom acrylic sewing inserts are designed to fill the gap between your sewing machine and sewing cabinet's lift opening to create a flush, ergonomic surface for flat bed sewing. To ensure a perfect fit, custom acrylic sewing inserts are built specifically for your sewing machine and sewing cabinet combination. Say hello to happy wrists, straighter stitches, and an elevated sewing experience!



Custom Sewing Insert

Sewing Chairs

Arrow's #1 Rated Height Adjustable Sewing Chair is a must have accessory for your dream sewing room! Cute, comfortable and convenient - our lovable sewing chairs feature vibrant sewing themed patterns, 360° swivel access and lumbar support for long hours at your workstation. Don't look now, but under every seat cushion is a hidden storage compartment to store your notions and patterns! Available in 10 colors to perfectly match your sewing sanctuary!



Height Adjustable Sewing Chair