

ASSEMBLY INSTRUCTIONS

Hydraulic Sewing Chair

Solids

H8123	Lady Gray
H8130	Duchess Blue
H8140	Princess Hazel
H8160	Royal Purple
H8170	Baroness Black
H8180	Madame Scarlet

Prints

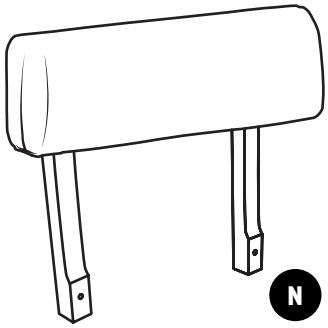
H6880	Sew Wow, Sew Now!
H7013b	Sewing Notions
H8013	Bright Buttons
H8013	Cat's Meow
H8013	Good Dog!



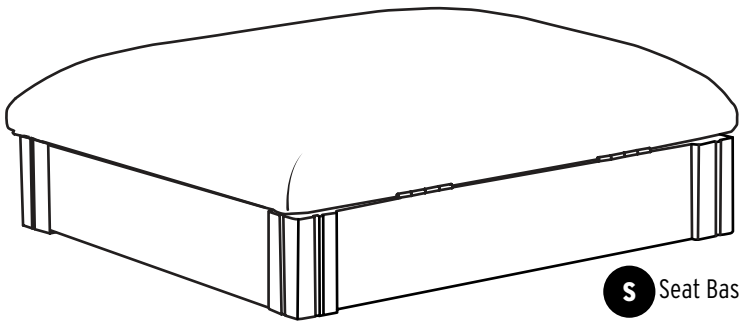
Parts List

IMPORTANT: Before beginning, remove and inspect all parts from the box.

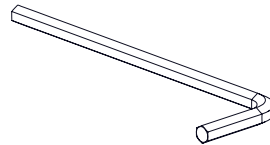
If you discover any problems, contact Arrow Sewing Customer Service at cs@arrowsewing.com or 1-800-533-7347, ext. 1 for assistance.



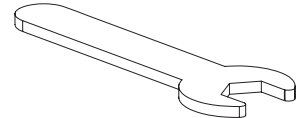
N Seat Back



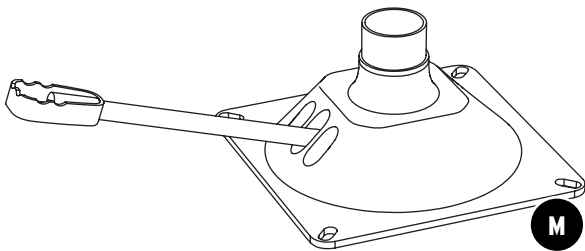
S Seat Base



a Allen Wrench



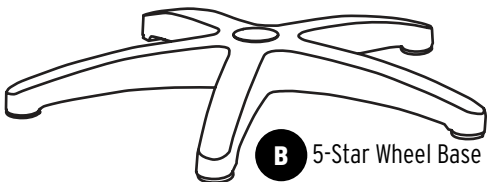
r Wrench



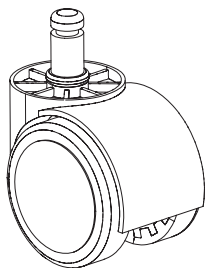
M Mechanism



c Hydraulic Cylinder



B 5-Star Wheel Base



t Non-Marking Wheels **x5**



b1 2.5" Long Bolts **x2**



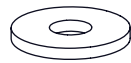
b2 1" Short Bolts **x4**



l Lock Washers **x6**

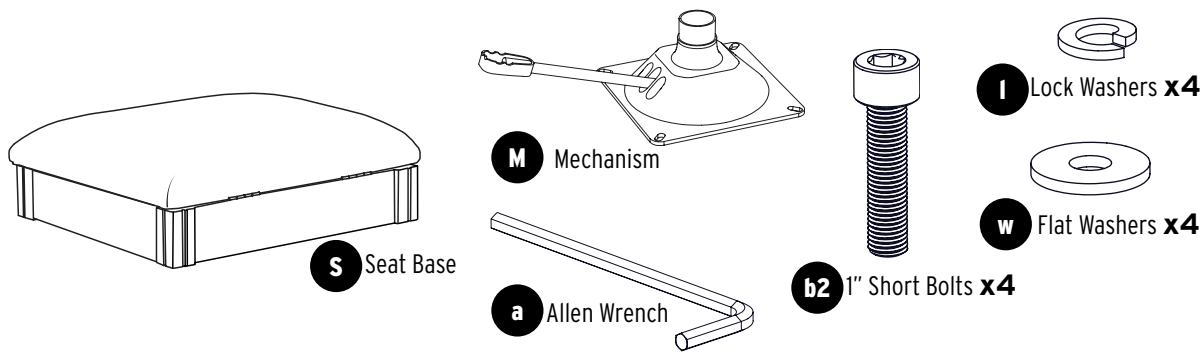


n Nuts **x2**

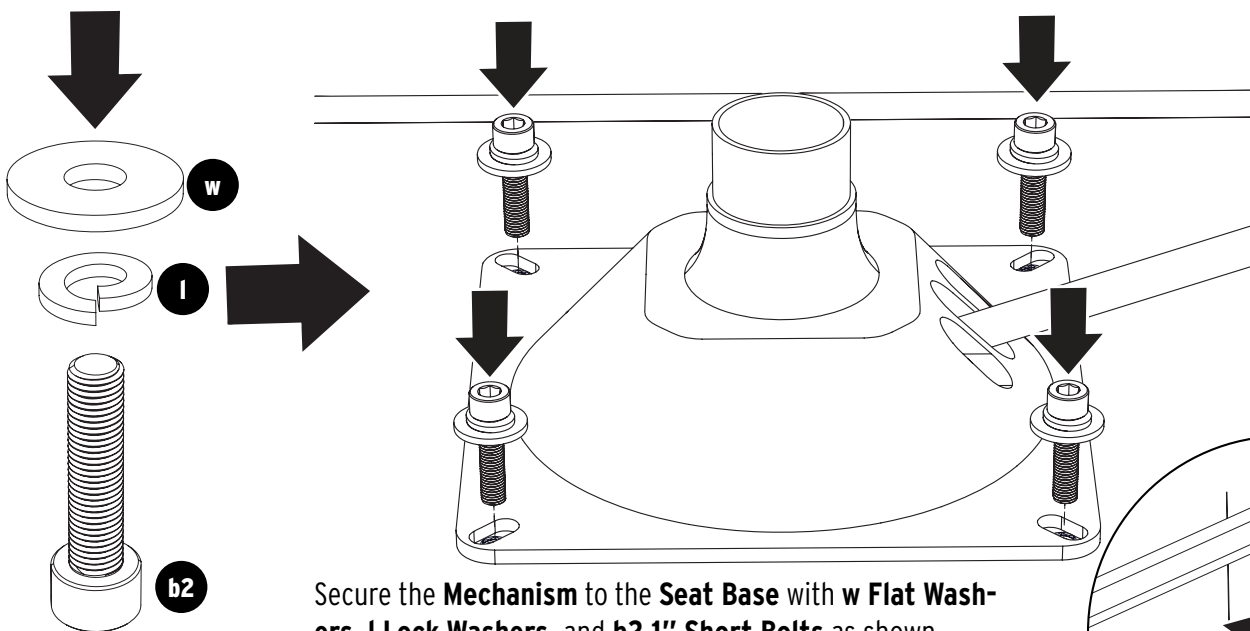
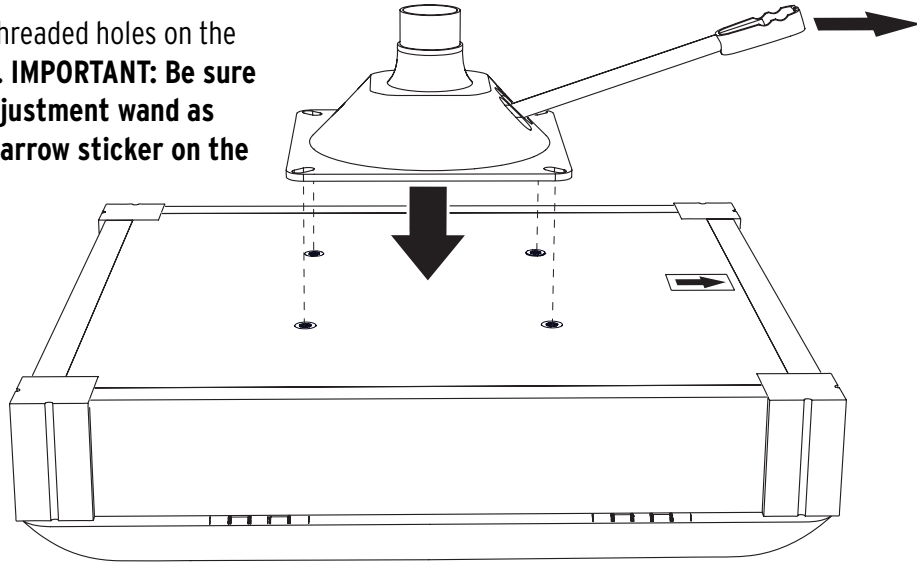


w Flat Washers **x4**

Step 1: Hydraulic Seat Height Mechanism

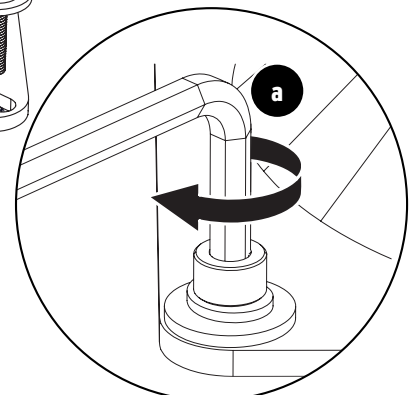


Align **M Mechanism** with threaded holes on the underside of **S Seat Base**. **IMPORTANT: Be sure to position the height adjustment wand as shown, lined up with the arrow sticker on the Seat Base.**



Secure the **Mechanism** to the **Seat Base** with **w Flat Washers**, **l Lock Washers**, and **b2 1" Short Bolts** as shown.

Tighten with **a Allen Wrench**.



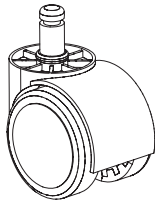
Step 2: Wheels & Hydraulic Cylinder



B 5-Star Wheel Base



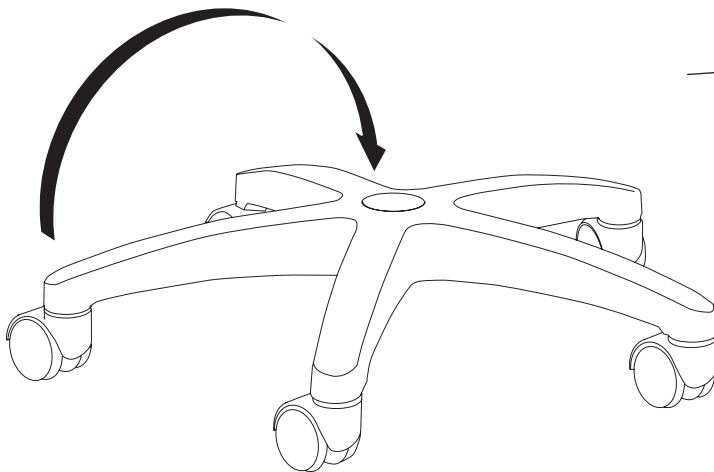
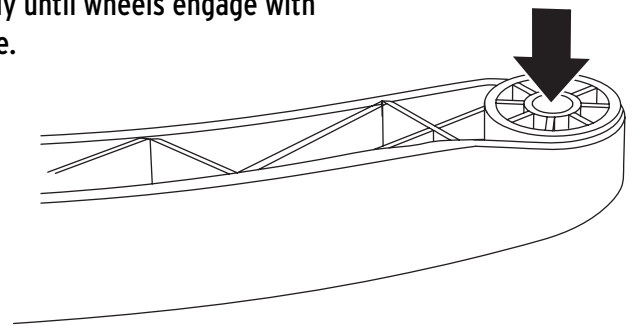
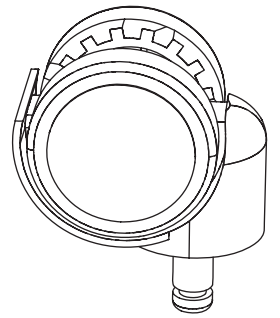
C Hydraulic Cylinder



t Non-Marking Wheels x5

Insert **t** Non-Marking Wheels into **B** 5-star wheel base as shown.

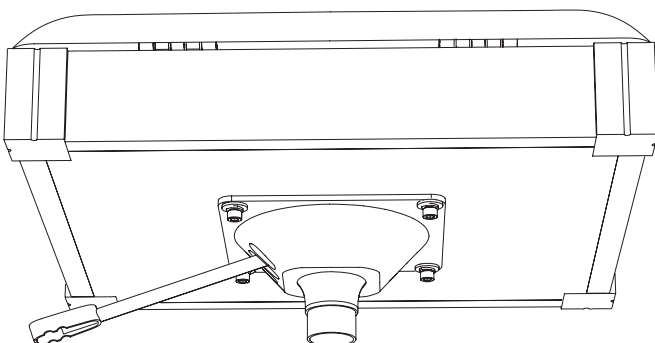
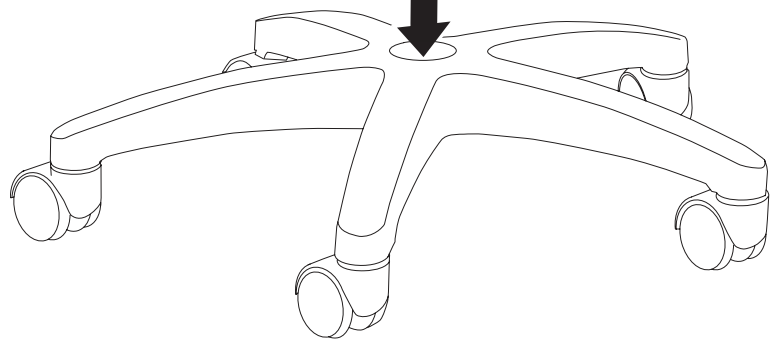
Press firmly until wheels engage with 5-star base.



Flip the 5-star wheel base over.



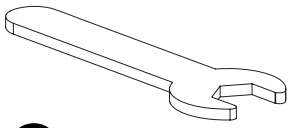
Insert **C** Hydraulic Cylinder into the 5-star wheel base as shown.



Gently lower the Seat Base onto the Hydraulic Cylinder as shown.



Step 3: Seat Back



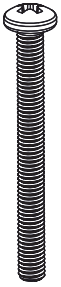
r Wrench



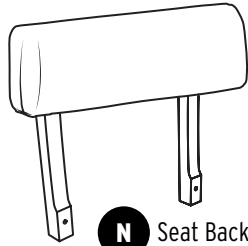
n Nuts **x2**



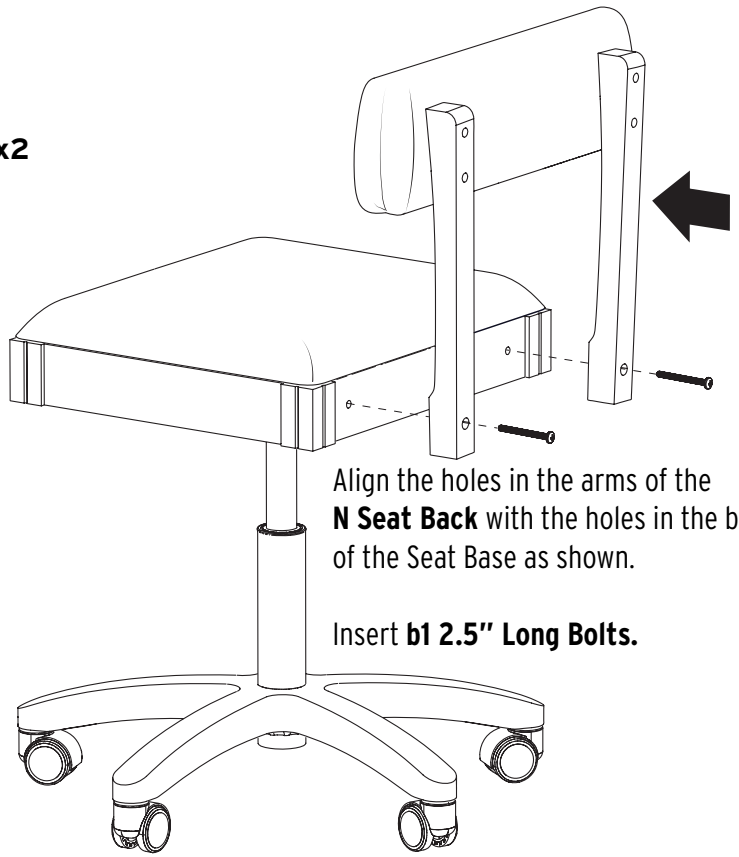
l Lock Washers **x2**



b1 2.5" Long Bolts **x2**

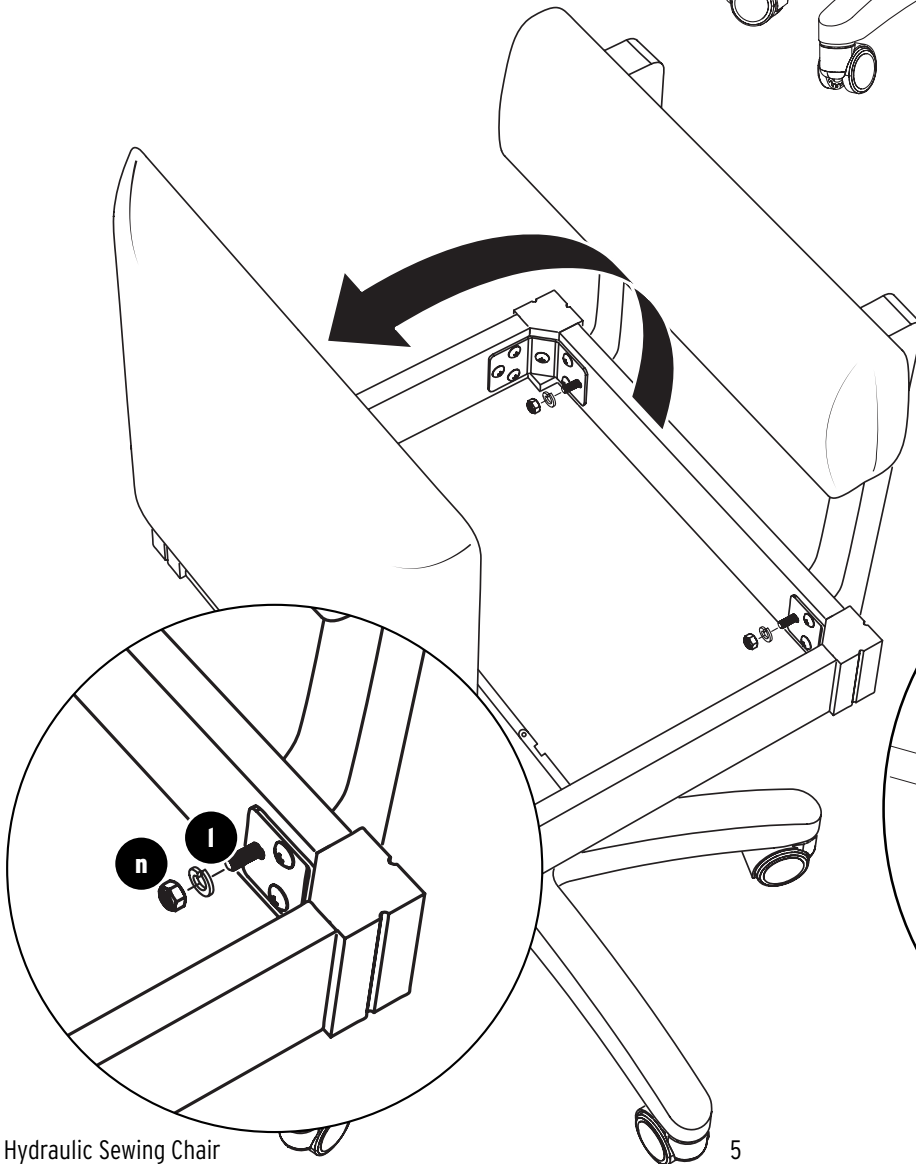


N Seat Back

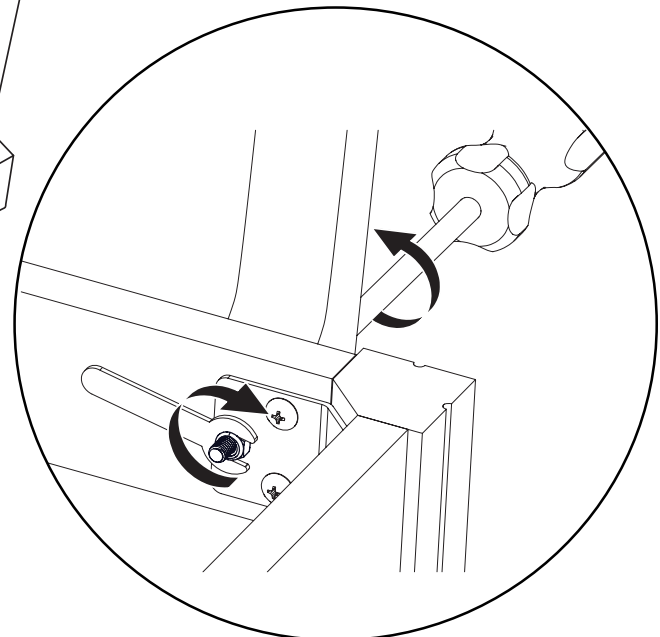


Align the holes in the arms of the **N Seat Back** with the holes in the back of the Seat Base as shown.

Insert **b1 2.5" Long Bolts**.



Open the seat base. Using the provided **r Wrench**, hold **n Nuts** steady and tighten **b1 2.5" Long Bolts** with a screwdriver.

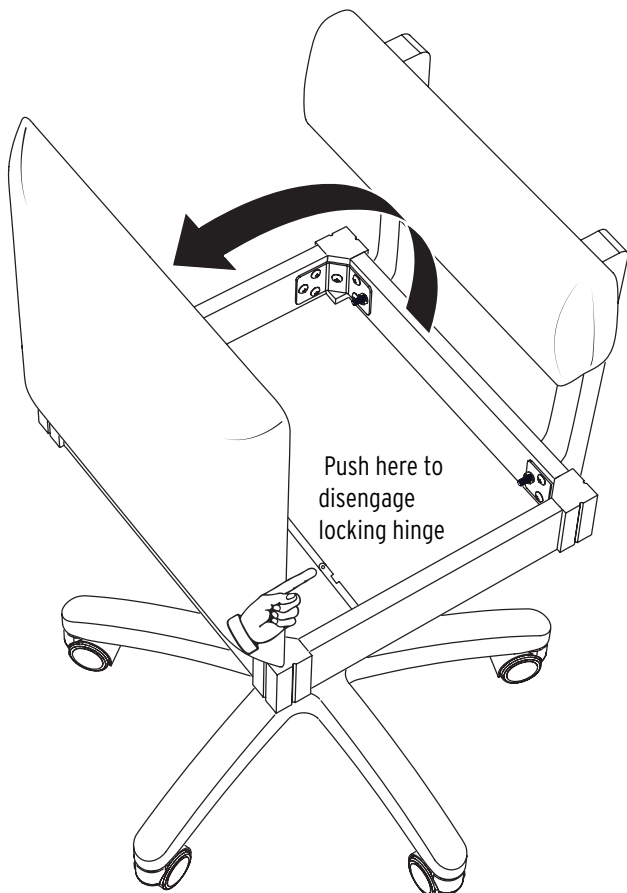
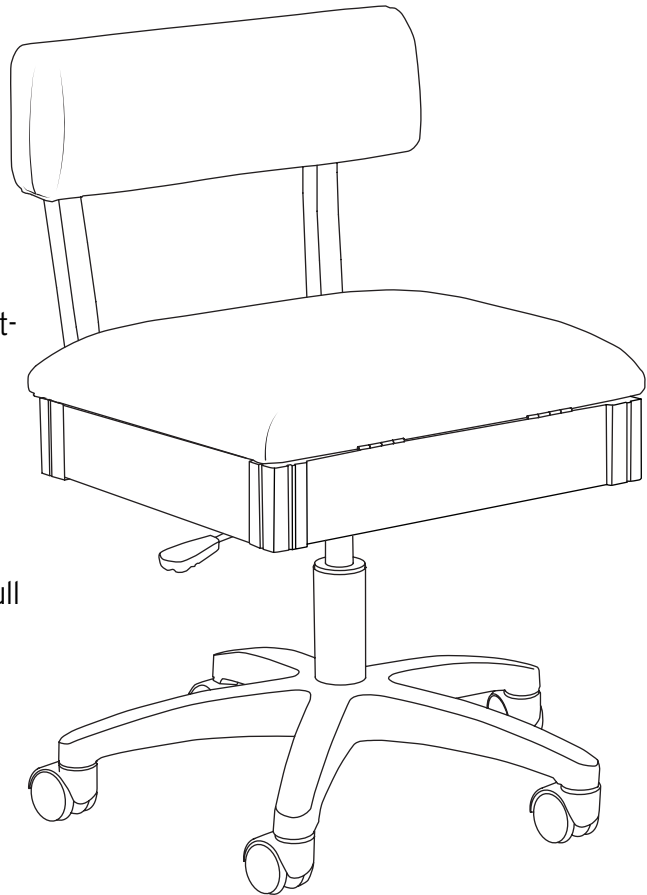


Arrow Hydraulic Sewing Chair

To adjust the height of your sewing chair's seat:

UP - Take your body weight off of the chair and gently pull UP on the adjustment wand.

DOWN - Sit on the chair and gently pull UP on the adjustment wand.



Your Hydraulic Sewing Chair has a locking hinge arm mechanism that holds your seat cushion up when fully lifted. To disengage the lock, simply push the hinge.



Congratulations! A better sewing experience awaits!



LIMITED WARRANTY

Arrow Classic Sewing Furniture 3-Year Warranty

WHAT THIS WARRANTY COVERS: Arrow Companies, LLC (Arrow) provides limited warranty coverage to the original purchaser of this product against defects in materials or workmanship of Arrow furniture components for a period of three years from the date of purchase. As used in this Warranty, "defect" means imperfections in components which substantially impair the utility of the product. This Warranty gives you specific legal rights, and you may also have other rights which vary from state to state.

HOW TO GET SERVICE: Simply contact Arrow at 1-800-533-7347 or CS@ArrowSewing.com. When you request warranty service, you must also present proof of purchase documentation, which includes the date of purchase (detailed receipt), and photos of the product. Arrow will replace any defective part (at its sole option), excluding labor. Replacement parts will be warranted for only the remaining period of the original Warranty.

Replacement parts will be shipped freight prepaid on any initial warranty claim during the first year of the Warranty only. Warranty applies only to defects confirmed by Arrow Companies, LLC and will be replaced or repaired at Arrow's option. In the event parts are no longer available for a warranty claim, the customer may receive a brand-new chair at a price equal to 60% off the MSRP of a current comparable model. Replacement parts under this Warranty are limited to one occurrence over the term of this Warranty.

WHAT'S NOT COVERED: There is no Warranty coverage for defects or conditions that result from the following: Failure to follow product assembly instructions, information, or warnings; misuse or abuse; intentional damage; fire, flood, alteration, or modification of the product; use of the product in a manner inconsistent with its intended use; any condition resulting from incorrect or inadequate maintenance, cleaning, care, or neglect; normal settling, flattening, or wear of foam and other materials; dirt, stains, cuts, or scratches; caster damage as a result of moving furniture fully loaded or with locked casters; damage resulting from electrical surge or lightning; or use in commercial or education environments. Arrow Sewing Furniture is designed for residential use only.

ARROW SHALL HAVE NO LIABILITY for ANY INCIDENTAL OR CONSEQUENTIAL DAMAGES OF ANY KIND, and all such damages are EXCLUDED FROM THIS WARRANTY, such as loss of use, disassembly, transportation, labor, or damage to property on or near the product. Some states do not allow the exclusion or limitation of incidental or consequential damages, so the above limitation or exclusion may not apply to you. The Warranty cannot be transferred to subsequent owners or users of the product, and it shall be immediately void in the event the product is resold, transferred, leased, or rented to any third party or person other than the original purchaser.

ADDITIONAL LIMITATIONS: THERE ARE NO OTHER WARRANTIES APPLICABLE TO THIS PRODUCT. Under the laws of certain states, there may be no implied warranties from Arrow and all implied warranties, INCLUDING ANY IMPLIED WARRANTY OF MERCHANTABILITY OR FITNESS FOR A PARTICULAR PURPOSE, are disclaimed where allowed by law. TO THE EXTENT ANY IMPLIED WARRANTIES ARE APPLICABLE, ANY IMPLIED WARRANTIES, INCLUDING ANY IMPLIED WARRANTY OF MERCHANTABILITY OR FITNESS FOR A PARTICULAR PURPOSE, ARE LIMITED IN DURATION TO THE DURATION OF THIS EXPRESS WARRANTY or the minimum period allowed by law, whichever is shorter. Some states do not allow limitations on how long an implied Warranty lasts, so the above limitation may not apply to you. This limited warranty gives you specific legal rights. This limited warranty does not, in any way, affect the rights given to you by law.

REGISTER YOUR PRODUCT: The original purchaser should register the purchase online at www.arrowsewing.com/warranty.

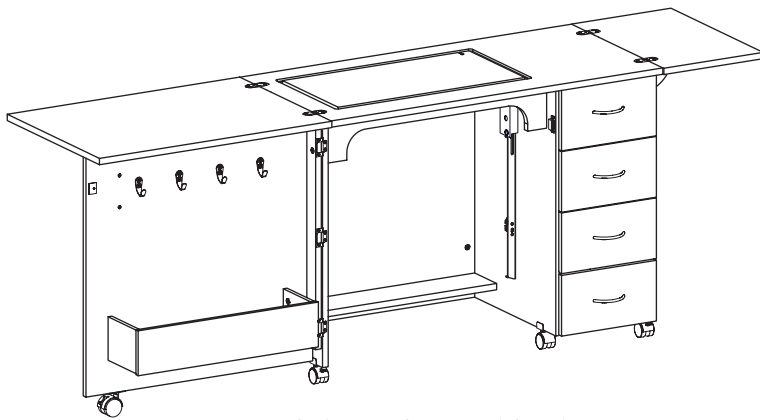
the spirit of sewing.

COMPLETE YOUR SEWING STUDIO!

Elevate your sewing experience with Arrow's Best Selling Accessories!

Sewing Cabinets

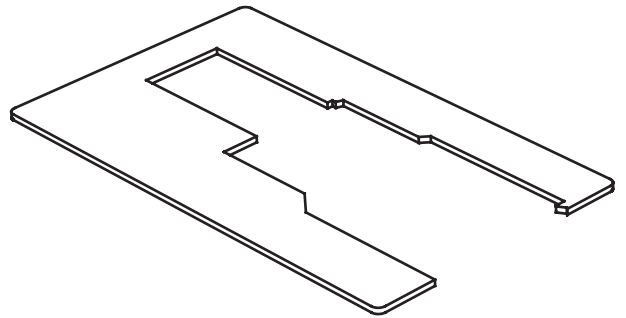
Get off your kitchen table and enjoy more comfortable, longer sewing sessions with a dedicated sewing cabinet! Sewing cabinets allow you to sew with your machine at the right height, whether you're looking for free arm or flat bed sewing. And when you're finished, simply push your machine down into the storage area of the cabinet to keep it safe and protected. You'll be amazed how you can Sew In Comfort and Sew Longer with the right dedicated sewing furniture!



Harriet Sewing Cabinet

Custom Sewing Inserts

Enhance your sewing experience with a custom acrylic sewing insert! Custom acrylic sewing inserts are designed to fill the gap between your sewing machine and sewing cabinet's lift opening to create a flush, ergonomic surface for flat bed sewing. To ensure a perfect fit, custom acrylic sewing inserts are built specifically for your sewing machine and sewing cabinet combination. Say hello to happy wrists, straighter stitches, and an elevated sewing experience!



Custom Sewing Insert