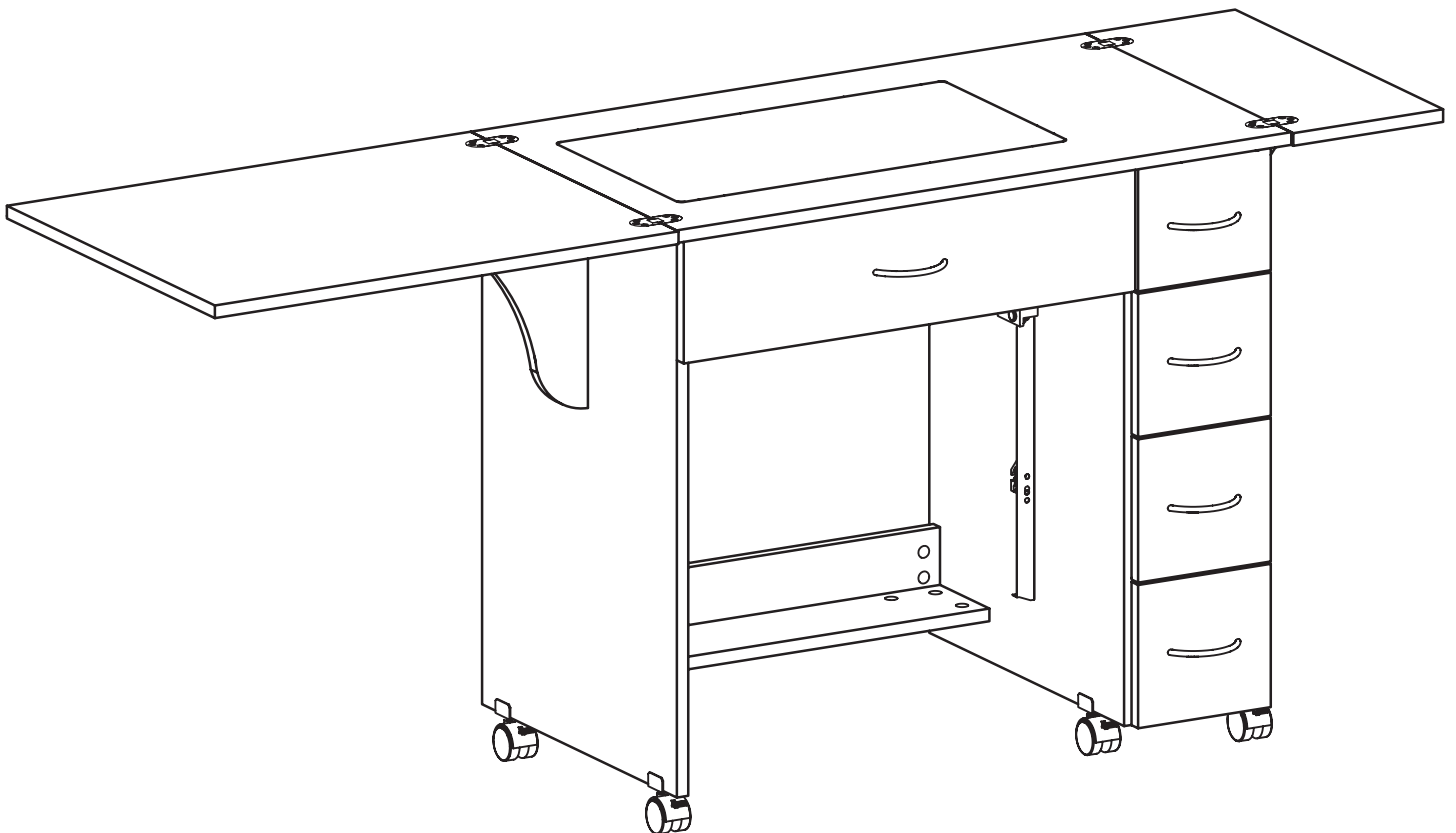


ASSEMBLY INSTRUCTIONS

Alice

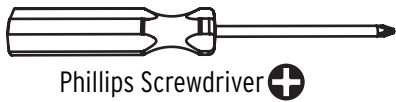
ITEM NO.: 205 Teak
211 Ash White




General Assembly Guidelines

1. Read the instructions carefully before beginning the assembly process to ensure proper assembly of this product. Please open and inspect the contents of box(es) to see that all parts and hardware are included.

2. Tools Required



Phillips Screwdriver 




Hammer

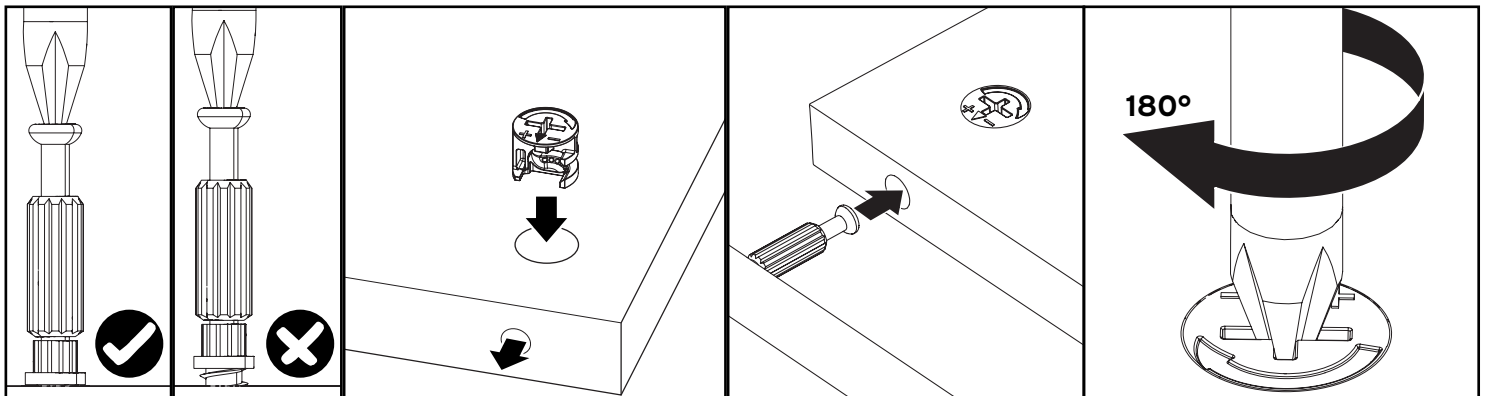


Rubber Mallet



Electric Screwdriver 
Torque set to 3-5

3. Understanding How the Cam Fastener Works



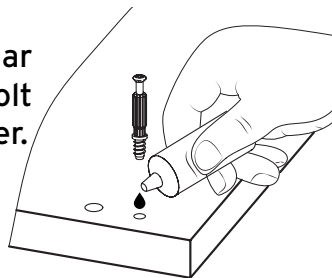
Screw cam bolts flush as illustrated.

Press cam into hole until flush with surface. The arrow direction must be in the direction of the hole.

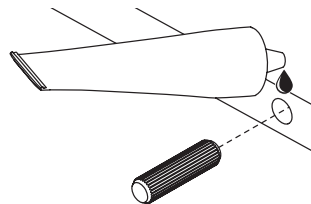
Insert bolt through pre-drilled hole in edge of panel.

Turn clockwise to lock cam with bolt.

Tip: place a small bit of WD-40 or similar lubricant into the pre-installed cam bolt holes to help the cam bolts screw in better.



4. **Glue** provided is to secure wood dowels in place and is optional. If glue is used during assembly, locate the appropriate hole for the dowel, place a small amount of glue in the hole and insert the dowel. Wipe away excess glue immediately. It is not necessary to glue the other end of the dowel when attaching to other parts.

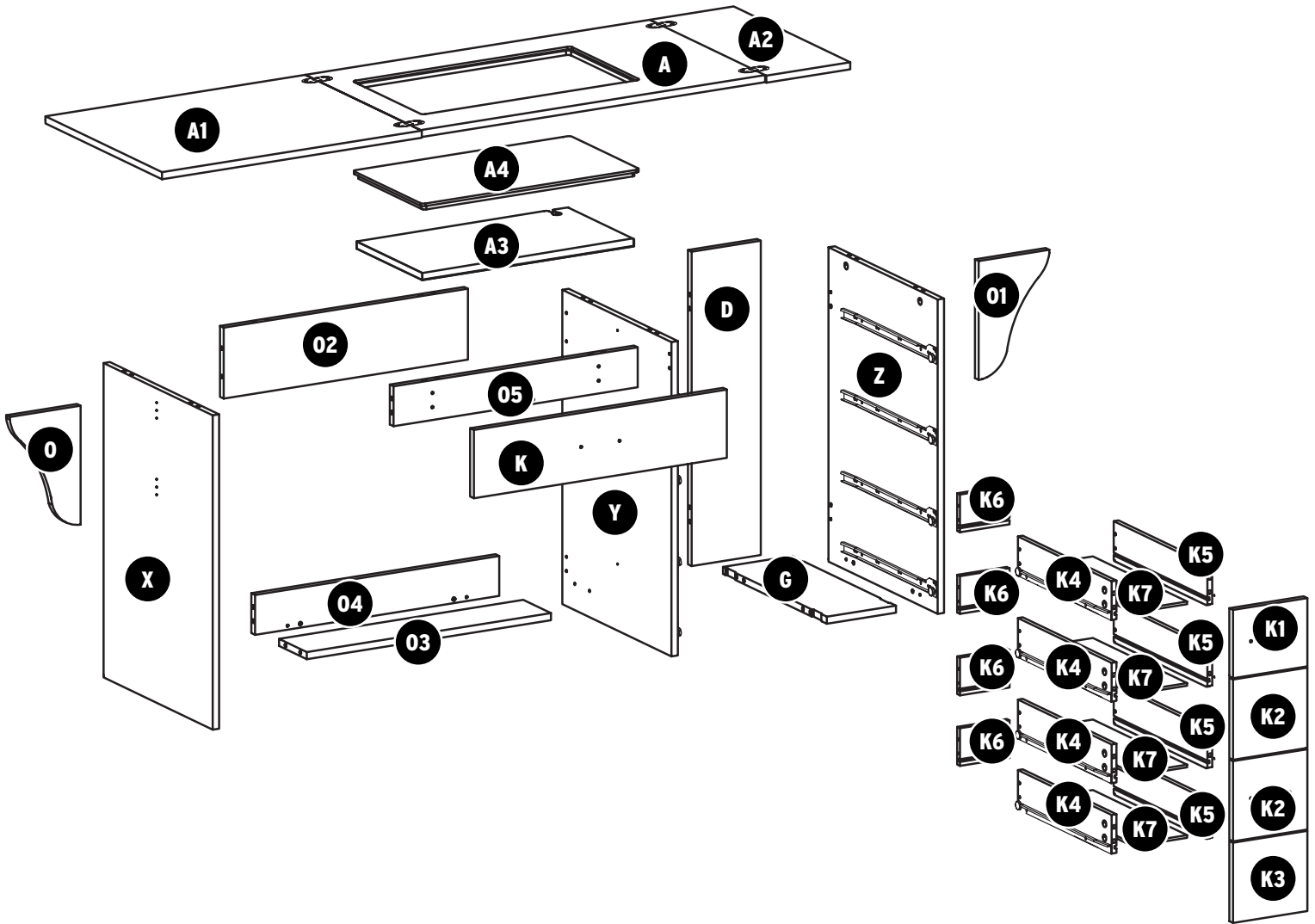


Use and Care Your cabinet normally requires a minimum amount of maintenance; however, the following points are worth noting:

Cleaning - To remove marks and enhance the surface, wipe with a gentle all-purpose cleanser. **DO NOT** use ammonia-based, harsh chemicals or abrasive cleaning agents. Wipe dry immediately.

Electrical and Hydraulic Lifts - Require annual lubrication with WD-40 or similar lubricant.

Parts List: Panels



ITEM	DESCRIPTION	QTY	BOX	ITEM	DESCRIPTION	QTY	BOX
	Lift Parts and Hardware Box	1	1 of 2	A3	Lift Panel	1	2 of 2
X	Left Side Panel	1	1 of 2	K1	Drawer Front	1	2 of 2
Y	Middle Panel	1	1 of 2	K2	Drawer Front	2	2 of 2
Z	Right Side Panel	1	1 of 2	K3	Drawer Front	1	2 of 2
D	Back Panel	1	1 of 2	O	Left Support Panel	1	2 of 2
K	Front Panel	3	1 of 2	01	Right Support Panel	1	2 of 2
K4	Drawer Left Side	4	1 of 2	02	Upper Back Brace	1	2 of 2
K5	Drawer Right Side	4	1 of 2	03	Bottom Back Brace	1	2 of 2
K6	Drawer Back	4	1 of 2	04	Lower Back Brace	1	2 of 2
K7	Drawer Bottom	4	1 of 2	05	Front Brace	1	2 of 2
A/A1/A2	Top Panel*	1	2 of 2	G	Bottom Panel	1	2 of 2
A4	Cover Panel	1	2 of 2				

*Pre-assembled

Parts List: Hardware

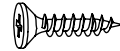
TIP: Keep all the parts in their individually labeled bags. This will make finding parts easier as you assemble your cabinet.



c1 6x35 Cam Bolt **x52**



d1 8x30 Dowel Pin **x20**



s1 3.5x14 Screw **x34**



s2 3.5x30 Screw **x16**



s3 4x25 Screw **x4**



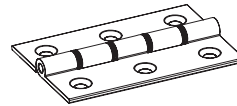
c3 12mm Cam Lock **x36**



b2 4x20 Fix Bolt **x8**



c2 5/8" Cam Cover **x52**



h1 Hinge **x4**



c4 10mm Cam Lock **x16**



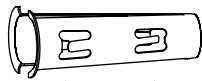
b3 4x36 Fix Bolt **x2**



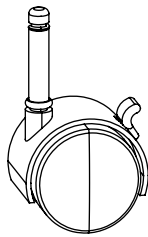
f1 Caster Clip **x5**



h Handle **x5**



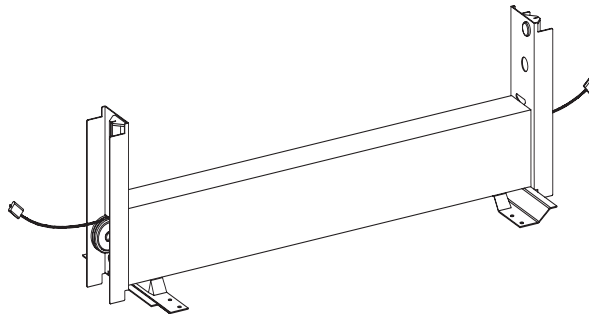
Caster Insert **x5**



Locking Casters **x5**



Allen Wrench **x1**



Lift **x1**

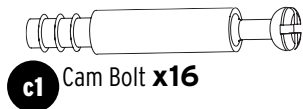


Lift Rail (Left) **x1**



Lift Rail (Right) **x1**

Parts List: Panels



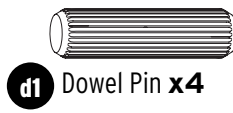
c1 Cam Bolt **x16**



s1 Screw **x6**



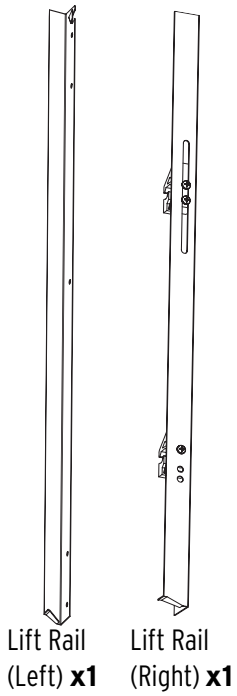
c3 Cam Lock **x2**



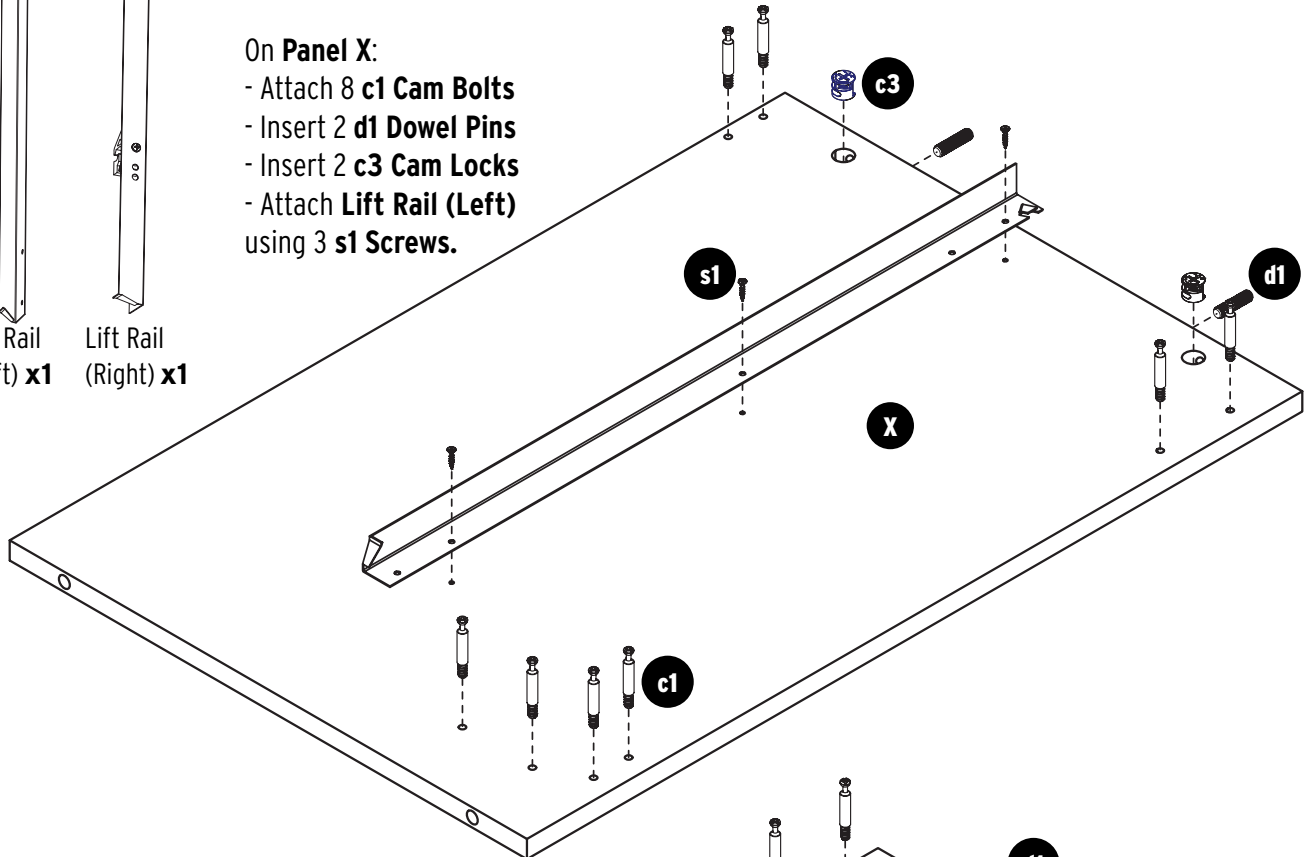
d1 Dowel Pin **x4**

On **Panel X**:

- Attach 8 **c1** Cam Bolts
- Insert 2 **d1** Dowel Pins
- Insert 2 **c3** Cam Locks
- Attach **Lift Rail (Left)** using 3 **s1** Screws.

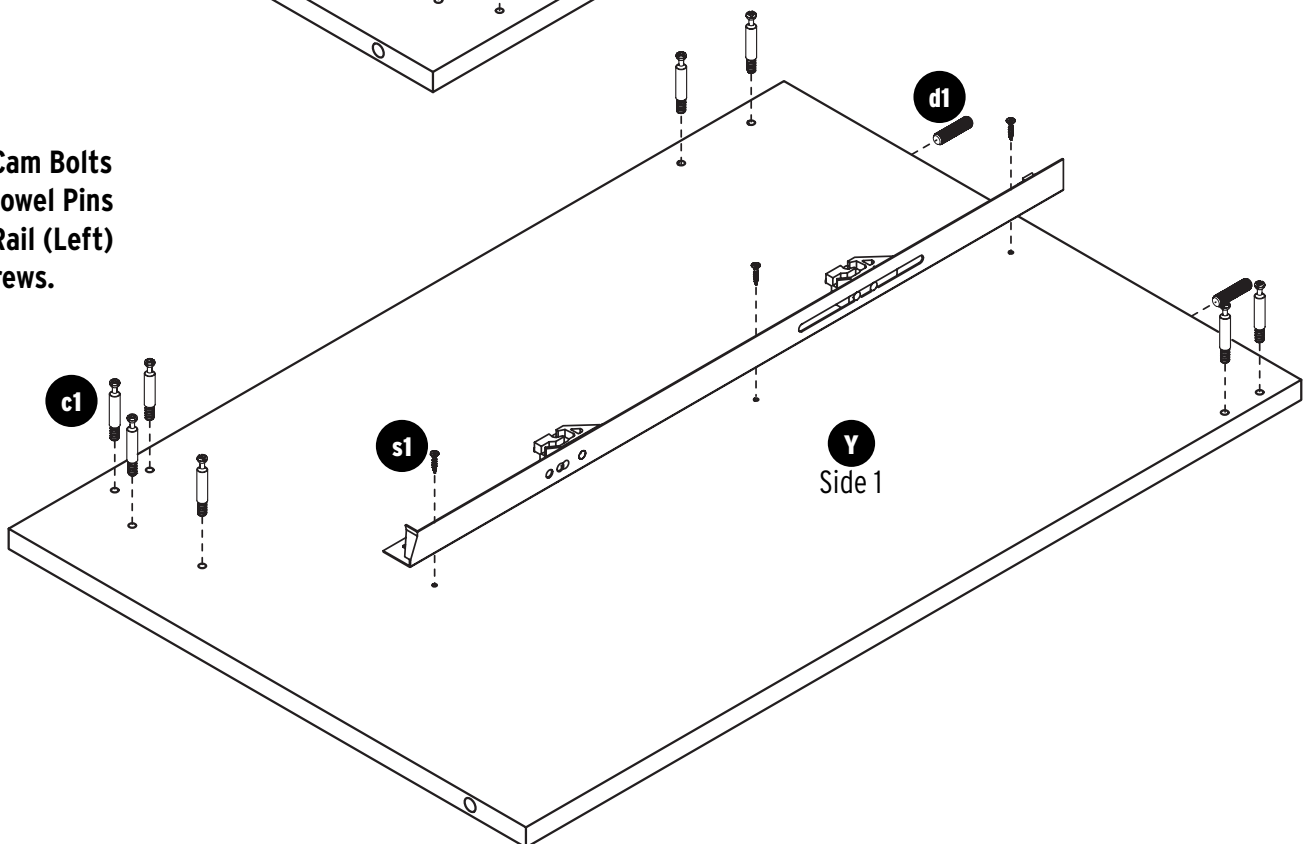


Lift Rail (Left) **x1**
Lift Rail (Right) **x1**



On **Panel Y**:

- Attach 8 **c1** Cam Bolts
- Insert 2 **d1** Dowel Pins
- Attach **Lift Rail (Left)** using 3 **s1** Screws.



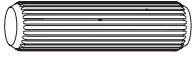
Parts List: Panels



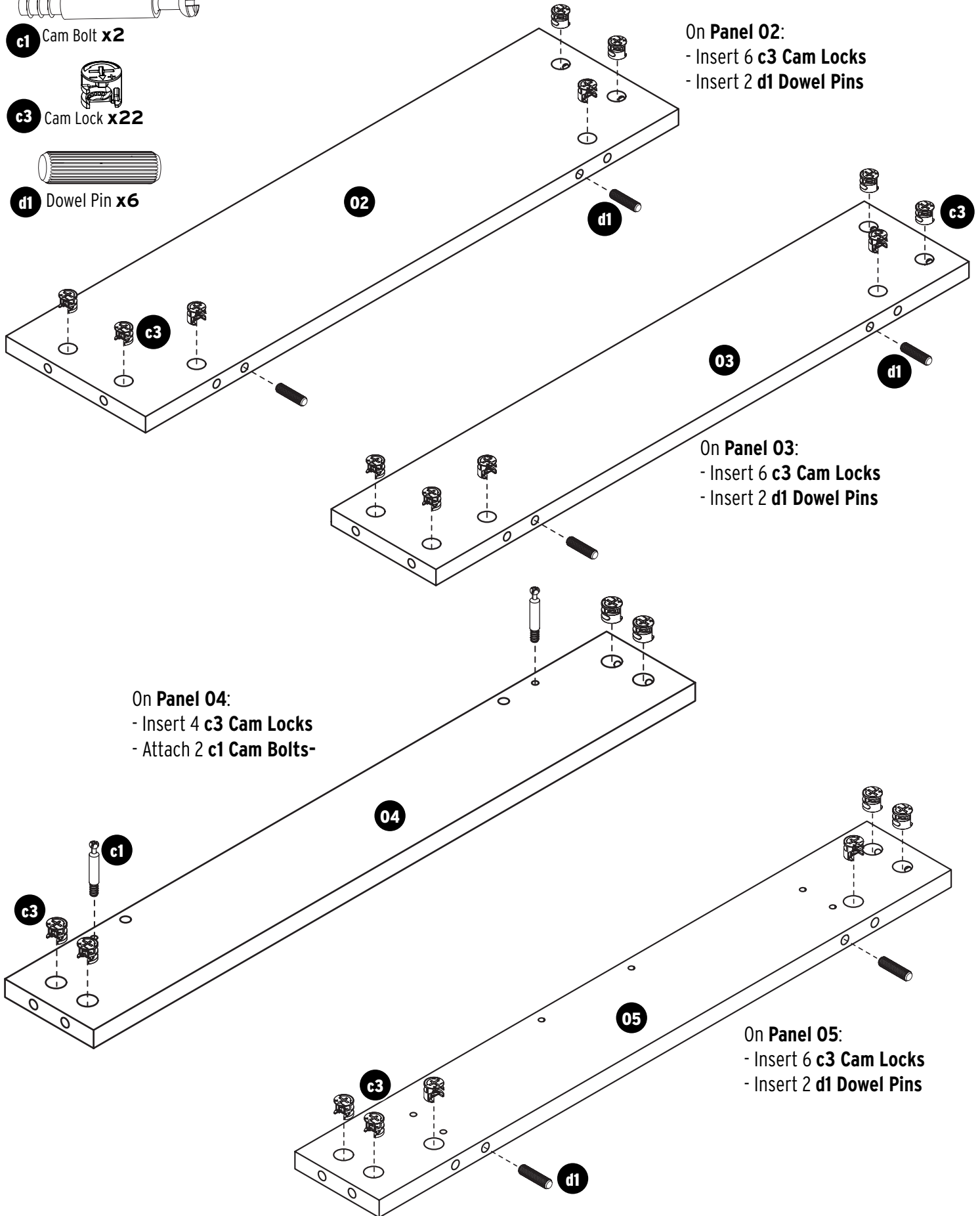
c1 Cam Bolt **x2**



c3 Cam Lock **x22**



d1 Dowel Pin **x6**



On Panel 02:
 - Insert 6 **c3** Cam Locks
 - Insert 2 **d1** Dowel Pins

On Panel 03:
 - Insert 6 **c3** Cam Locks
 - Insert 2 **d1** Dowel Pins

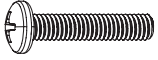
On Panel 04:
 - Insert 4 **c3** Cam Locks
 - Attach 2 **c1** Cam Bolts-

On Panel 05:
 - Insert 6 **c3** Cam Locks
 - Insert 2 **d1** Dowel Pins

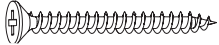
Parts List: Panels



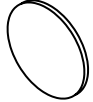
h Handle **x1**



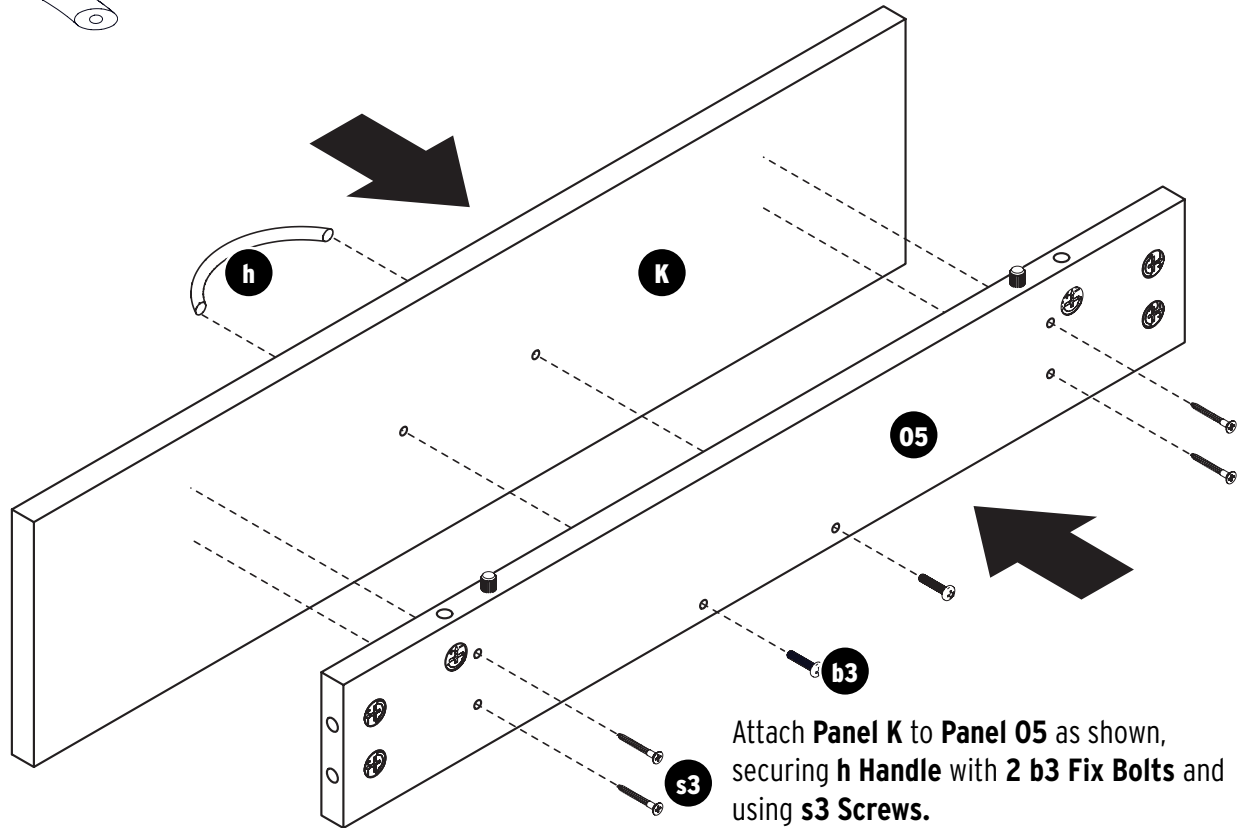
b3 Fix Bolt **x2**



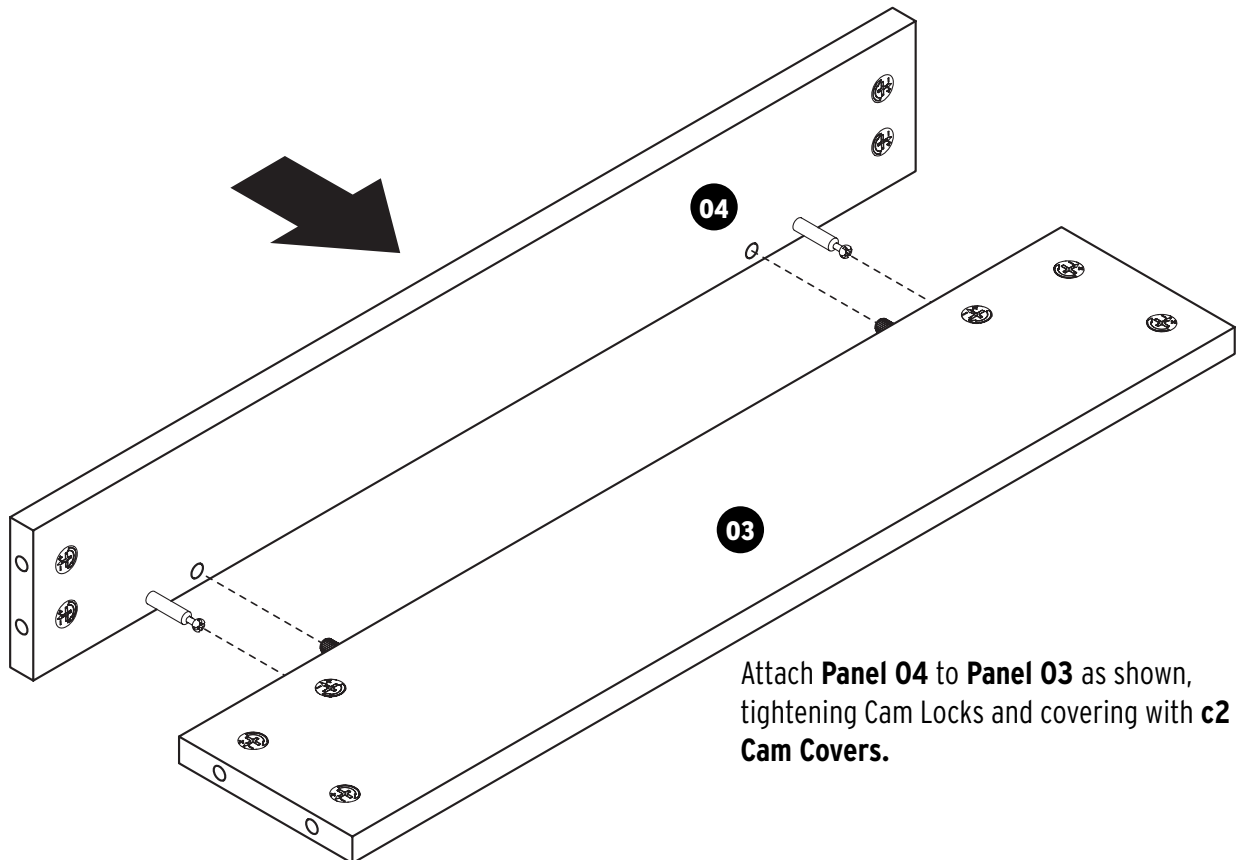
s3 Screw **x4**



c2 Cam Cover **x2**



Attach **Panel K** to **Panel 05** as shown, securing **h** Handle with **2 b3** Fix Bolts and using **s3** Screws.

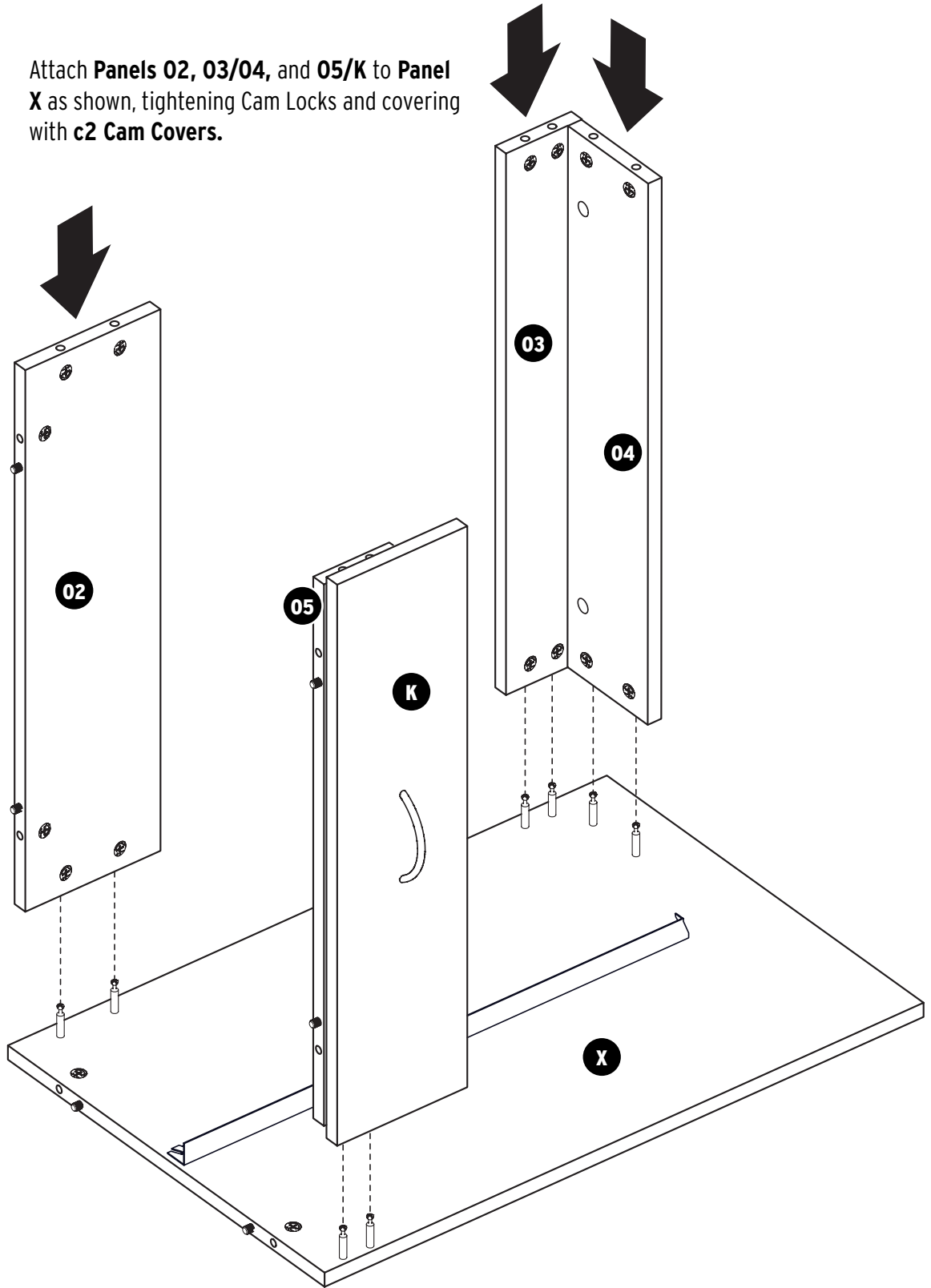


Attach **Panel 04** to **Panel 03** as shown, tightening Cam Locks and covering with **c2** Cam Covers.

Parts List: Panels



Attach **Panels 02, 03/04, and 05/K** to **Panel X** as shown, tightening Cam Locks and covering with **c2 Cam Covers**.

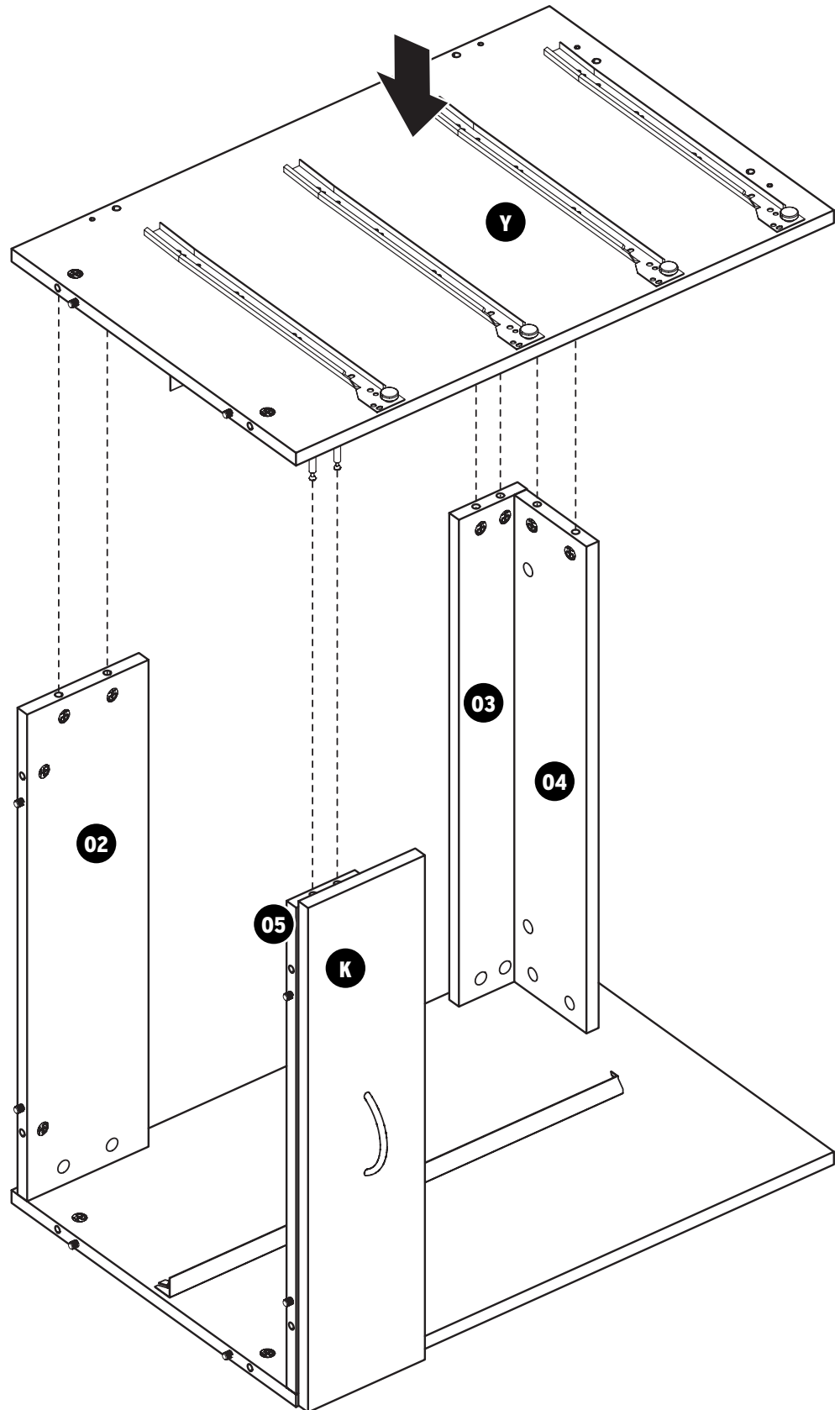


Parts List: Panels



Carefully lower **Panel Y** onto **Panels 02, 03/04,** and **K/05**, inserting Cam Bolts into Cam Locks.

Tighten Cam Locks and cover with **c2 Cam Covers**.



Parts List: Panels

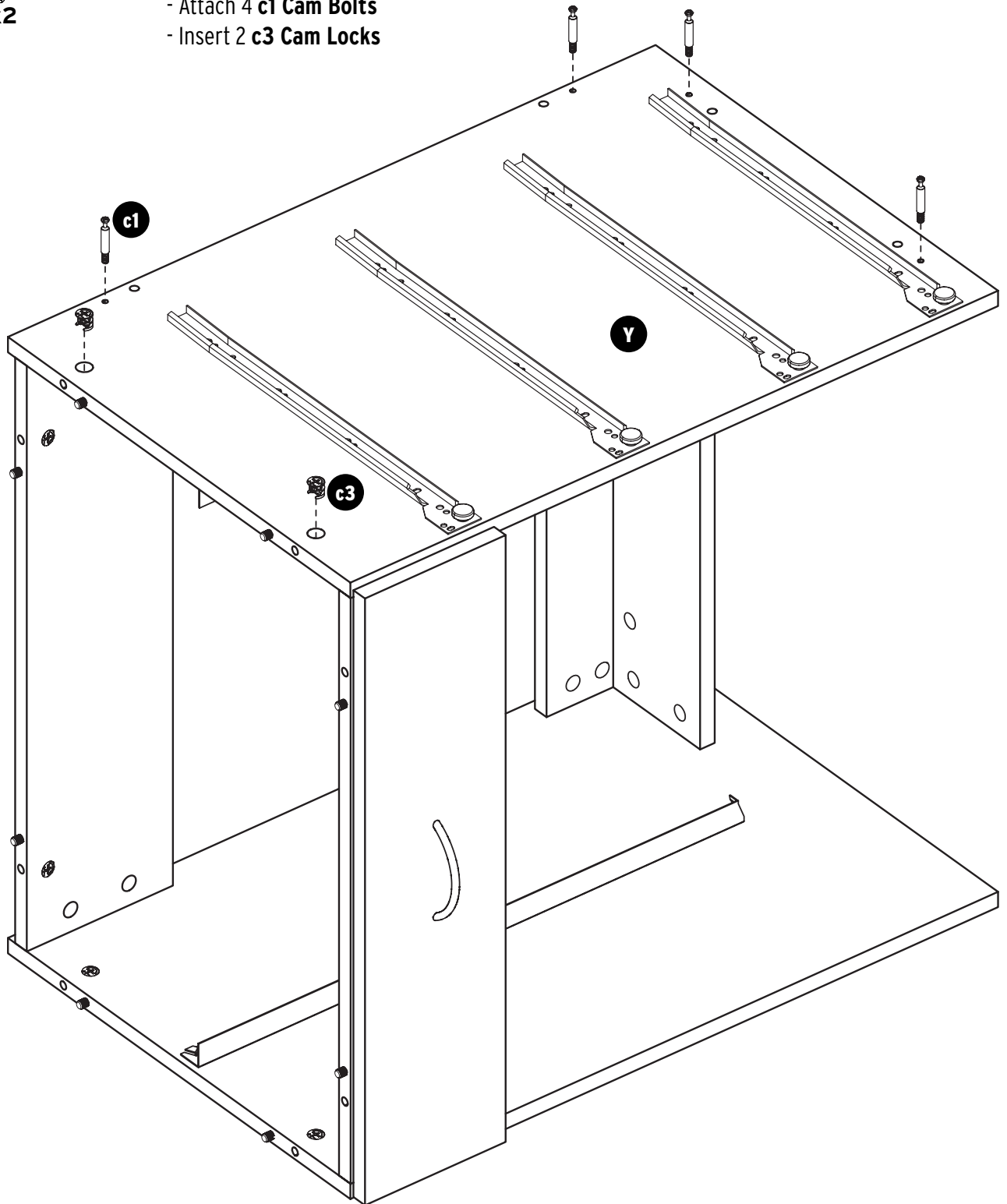


c1 Cam Bolt **x4**



c3 Cam Lock **x2**

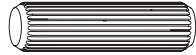
On **Panel Y**:
- Attach 4 **c1** Cam Bolts
- Insert 2 **c3** Cam Locks



Parts List: Panels



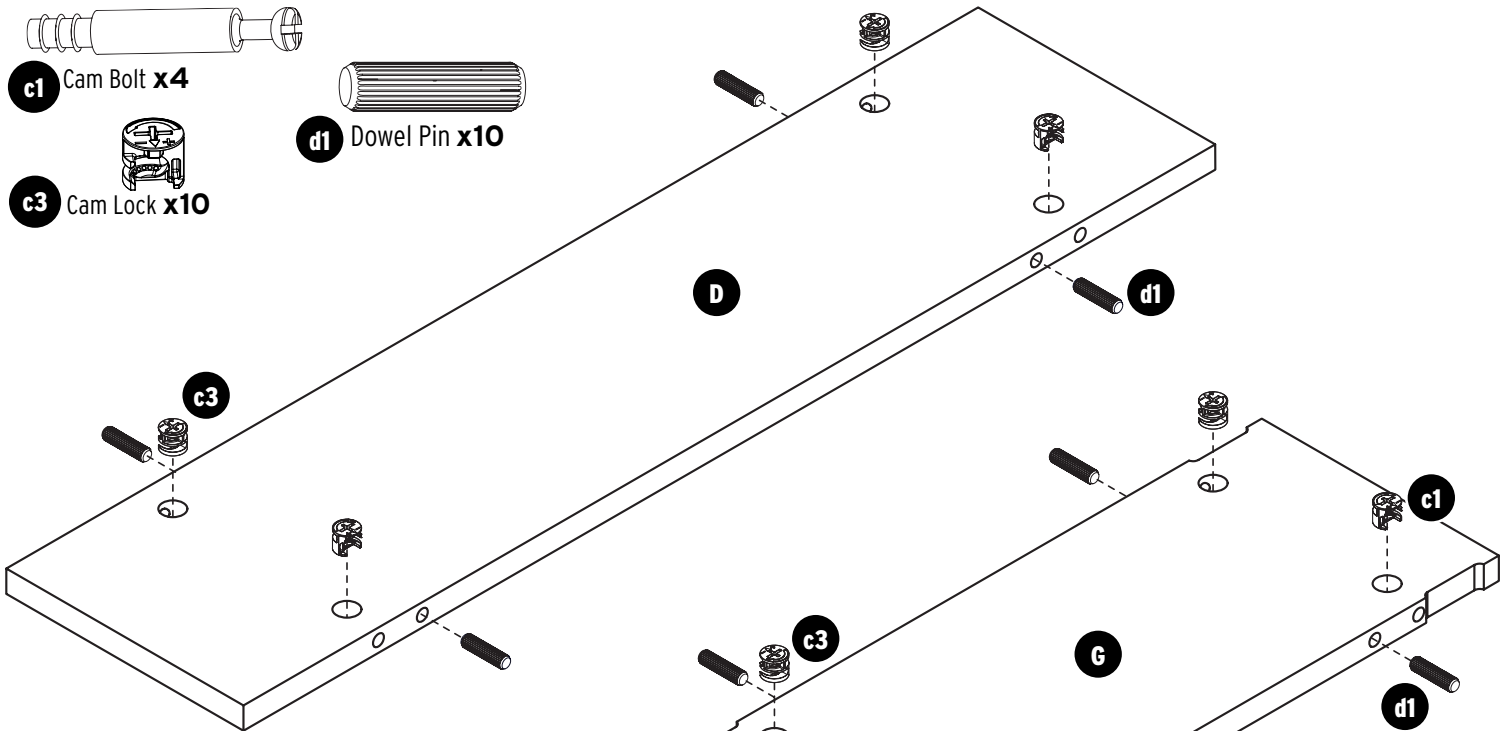
c1 Cam Bolt **x4**



d1 Dowel Pin **x10**



c3 Cam Lock **x10**

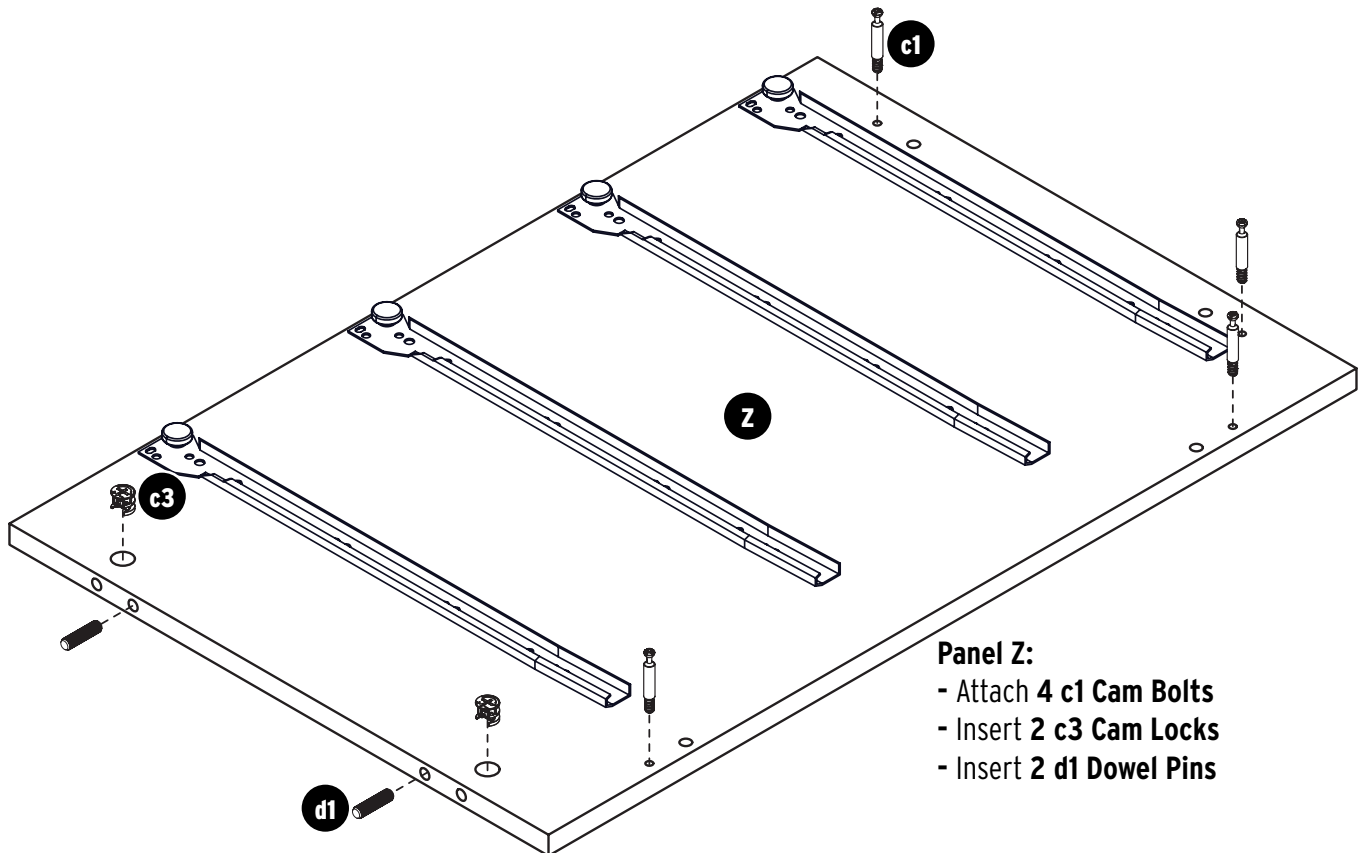


Panel D:

- Insert **4 c3** Cam Locks
- Insert **4 d1** Dowel Pins

Panel G:

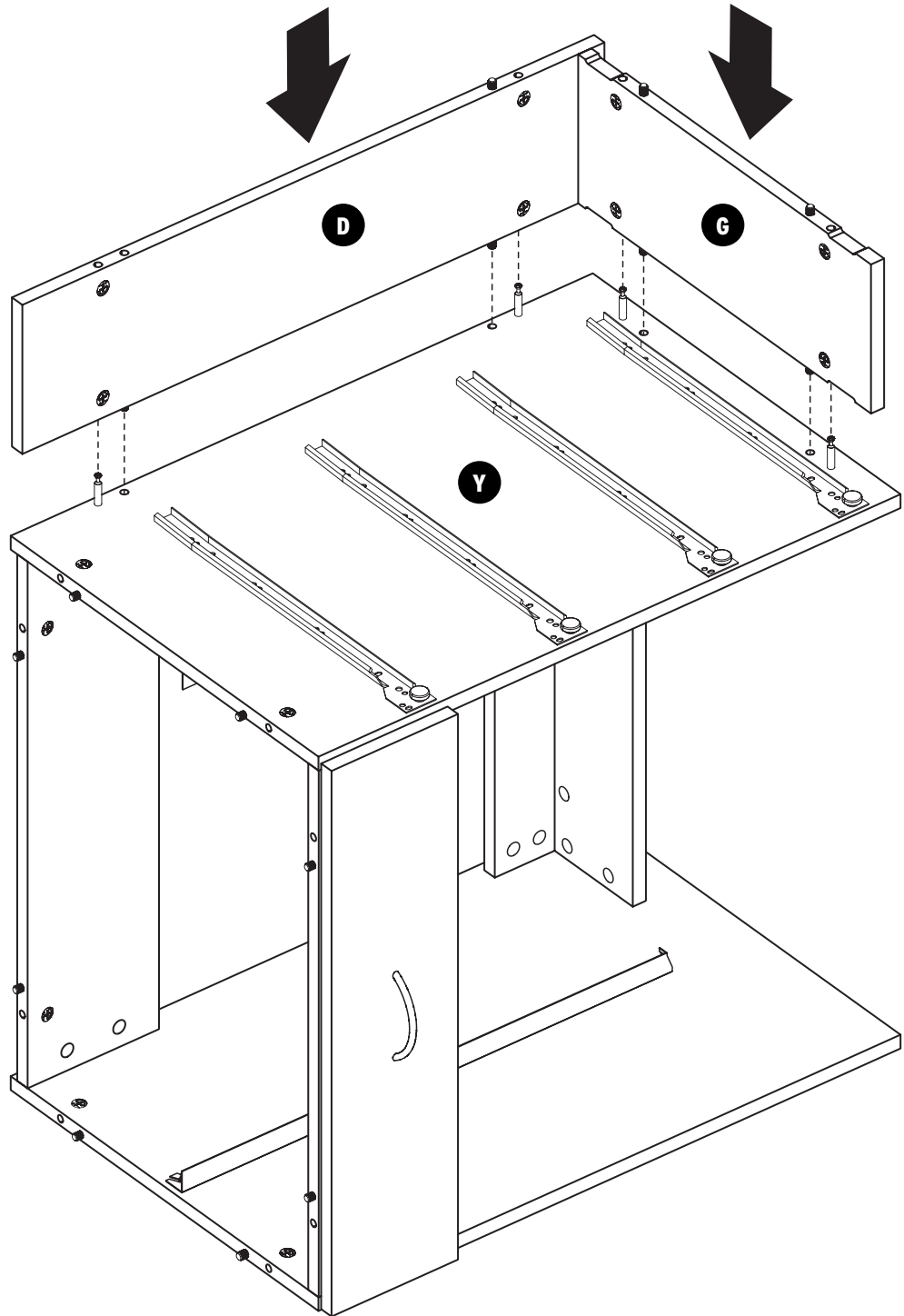
- Insert **4 c3** Cam Locks
- Insert **4 d1** Dowel Pins



Panel Z:

- Attach **4 c1** Cam Bolts
- Insert **2 c3** Cam Locks
- Insert **2 d1** Dowel Pins

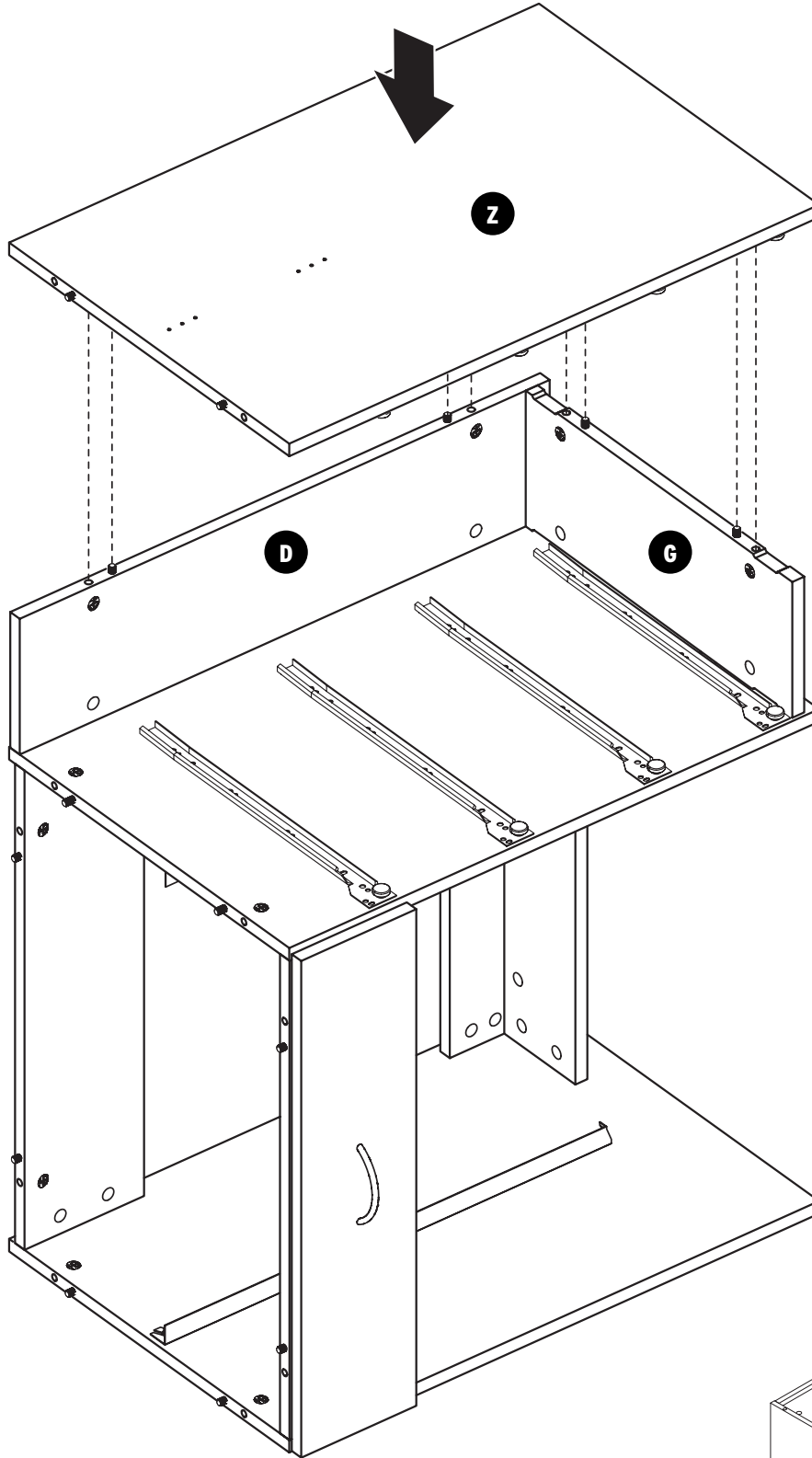
Parts List: Panels



Carefully lower **Panels D and G** onto **Panel Y**, inserting Cam Bolts into Cam Locks.

Tighten Cam Locks and cover with **c2 Cam Covers**.

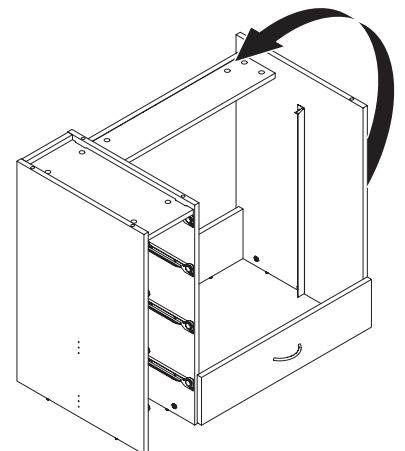
Parts List: Panels



Carefully lower **Panel Z** onto **Panels D and G**, inserting Cam Bolts into Cam Locks.

Tighten Cam Locks and cover with **c2 Cam Covers**.

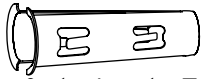
Carefully flip the cabinet upside down. You may need a helper for this step, but it is not required.



Parts List: Panels



t1 Caster Clip **x5**

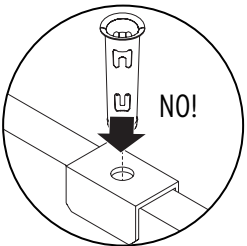
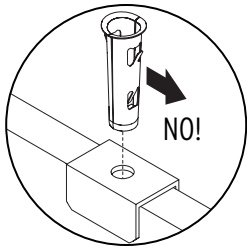
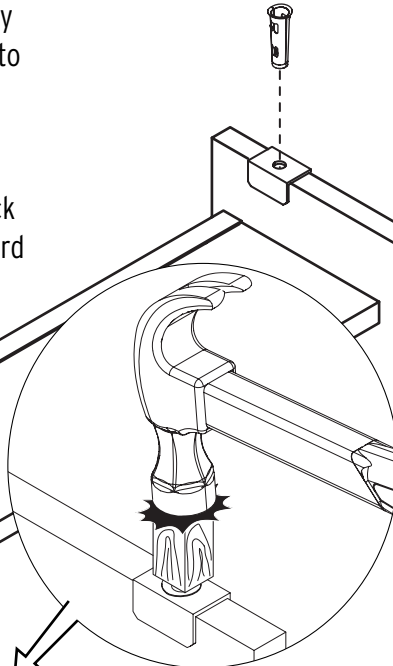
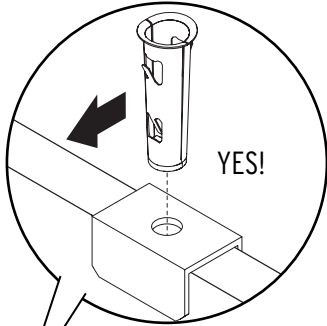


Caster Insert **x5**

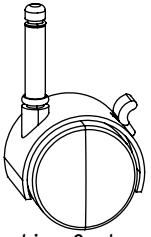
Place **Caster Clips** as shown over pre-drilled holes.

Place **Caster Inserts** exactly as shown in the illustration to the left.

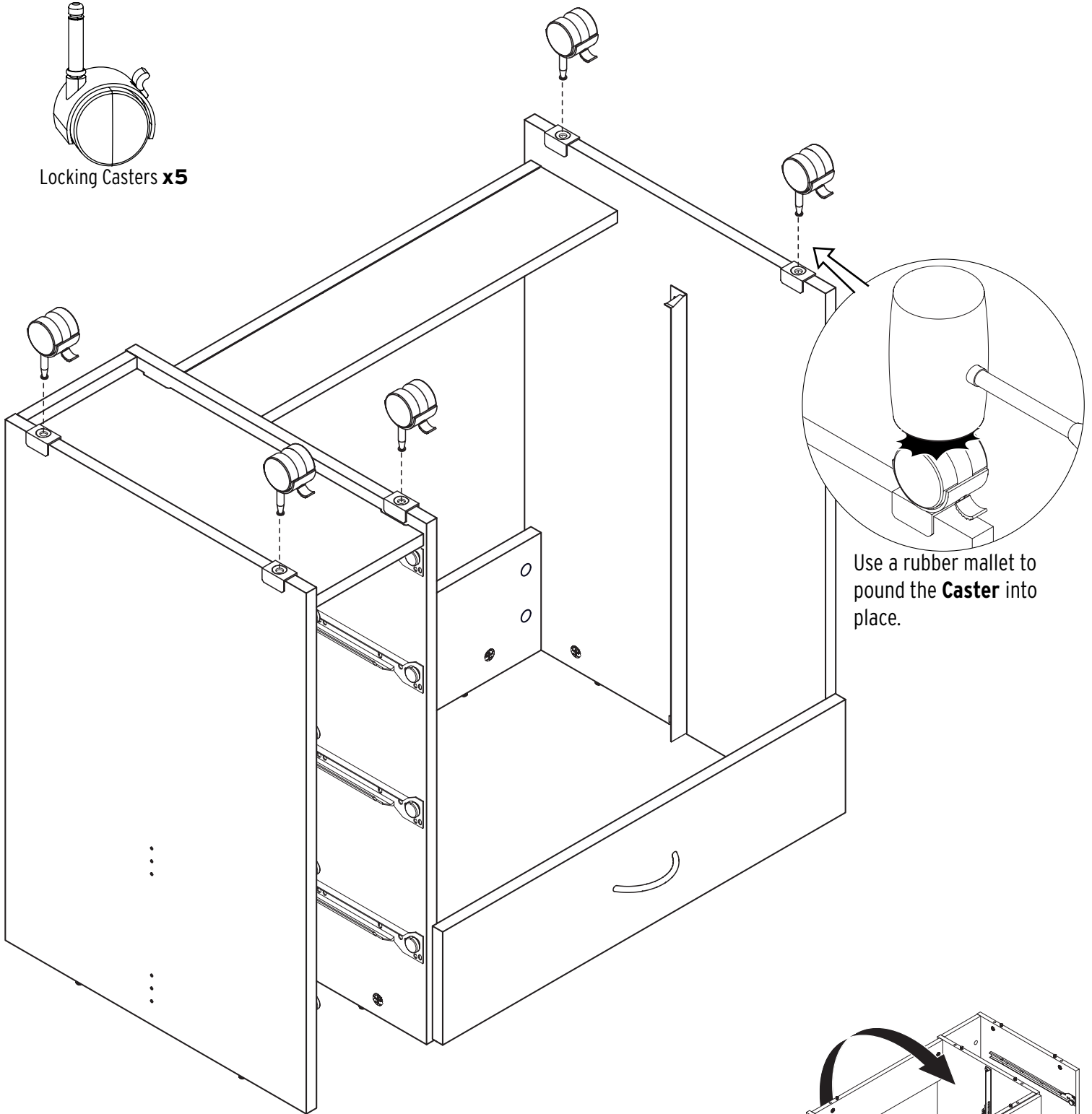
Pound **Caster Inserts** in completely. Use a small block of wood or piece of cardboard between your hammer and the **Caster Insert**.



Parts List: Panels

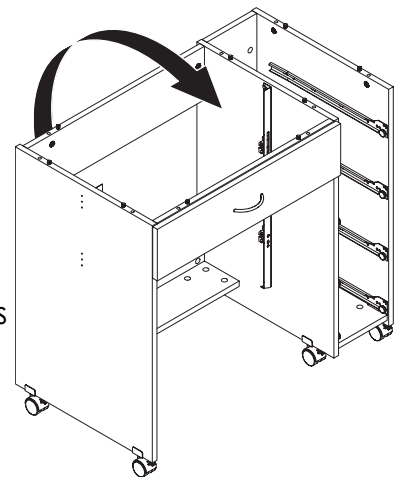


Locking Casters **x5**



Use a rubber mallet to pound the **Caster** into place.

Carefully flip the cabinet up onto its wheels. You may need a helper for this step, but it is not required.

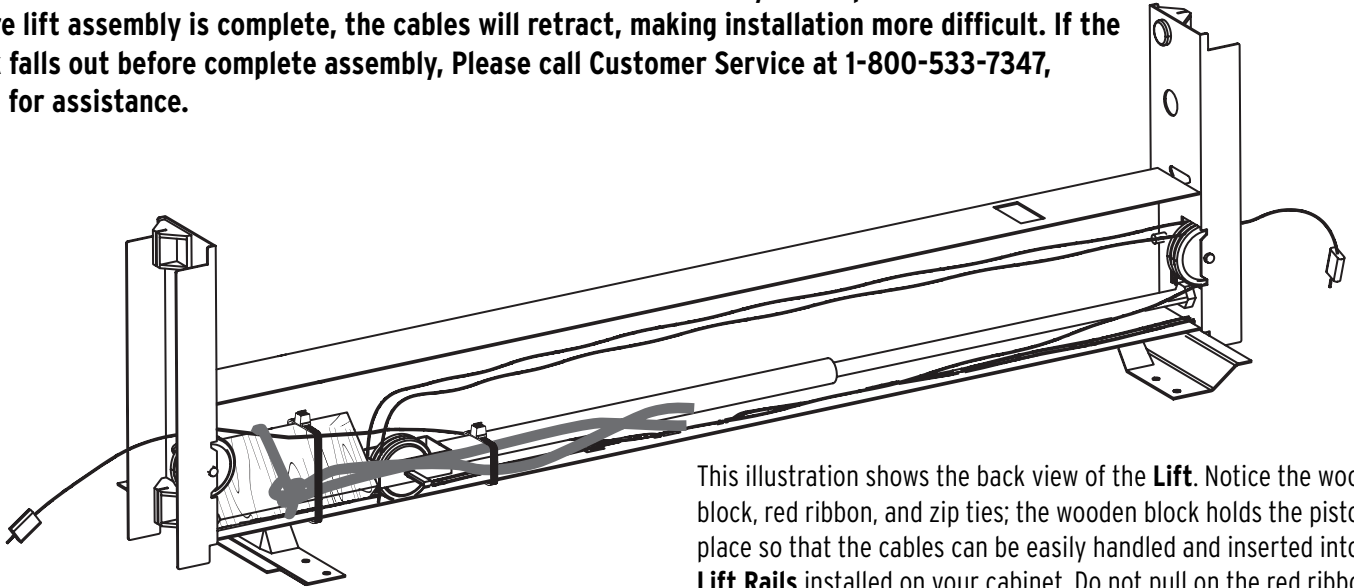


Step 2: Lift and Top

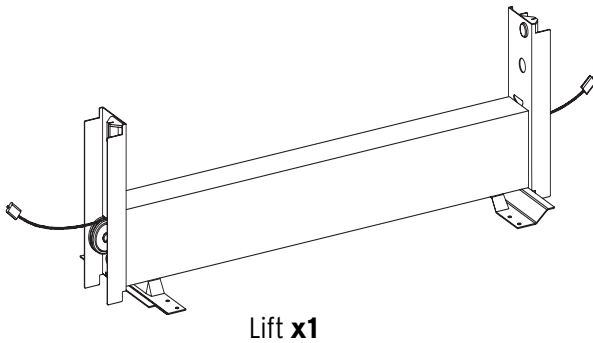
LIFT INSTALLATION WARNING:

For video instructions, please visit www.arrowsewing.com/assembly and find the "How to Install Your Hydraulic Lift" video.

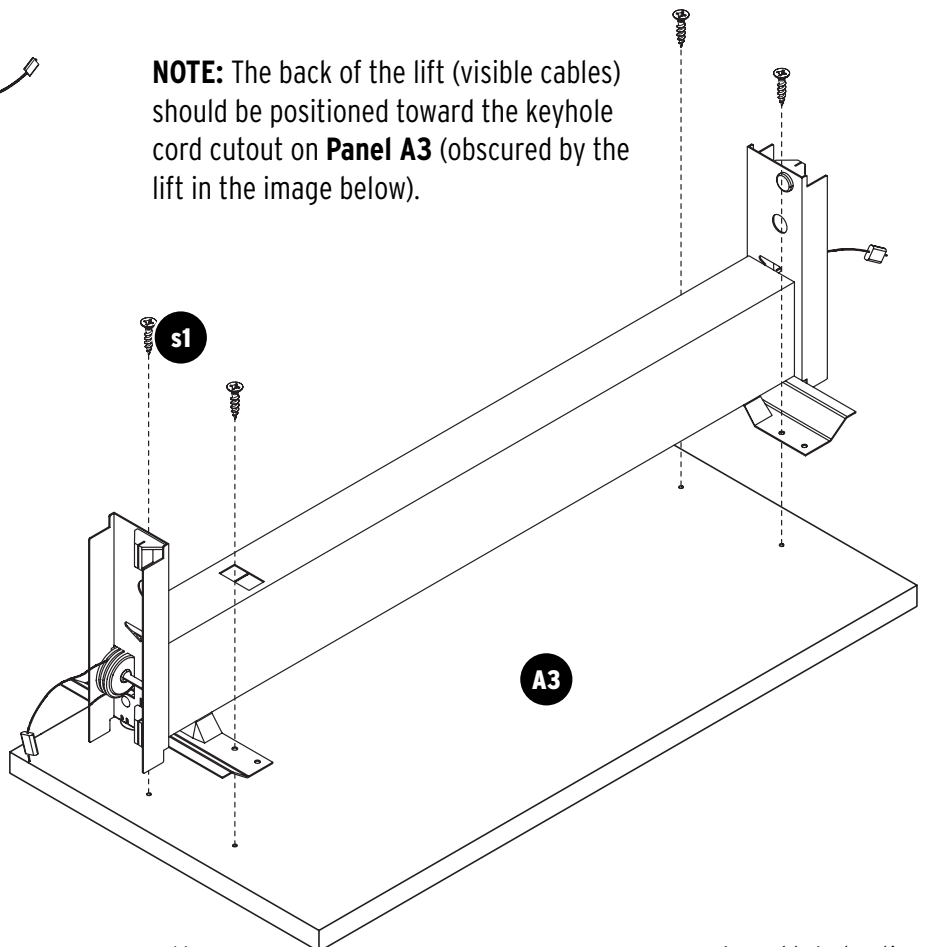
DO NOT remove the small wooden block from the Lift until assembly is complete. If the block is removed or falls out before lift assembly is complete, the cables will retract, making installation more difficult. If the block falls out before complete assembly, Please call Customer Service at 1-800-533-7347, ext. 1 for assistance.



This illustration shows the back view of the **Lift**. Notice the wooden block, red ribbon, and zip ties; the wooden block holds the piston in place so that the cables can be easily handled and inserted into the **Lift Rails** installed on your cabinet. Do not pull on the red ribbon or remove the zip ties just yet!

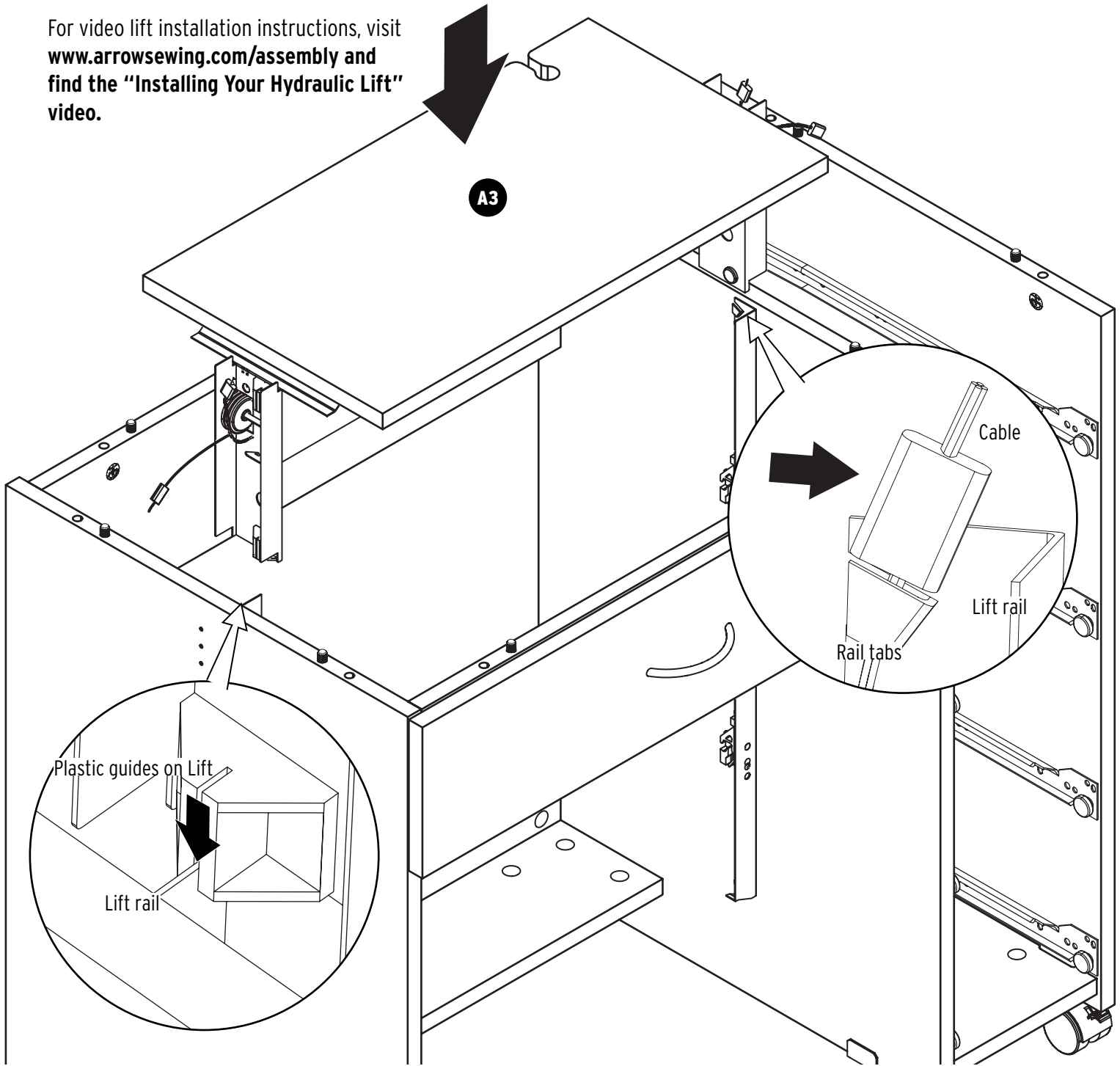


NOTE: The back of the lift (visible cables) should be positioned toward the keyhole cord cutout on **Panel A3** (obscured by the lift in the image below).



Parts List: Panels

For video lift installation instructions, visit www.arrowsewing.com/assembly and find the "Installing Your Hydraulic Lift" video.



Guide **Lift** onto **Lift Rails** using plastic guides. Insert ends of cable into rail tabs; make sure the cable is hooked into the rail tabs on both sides.

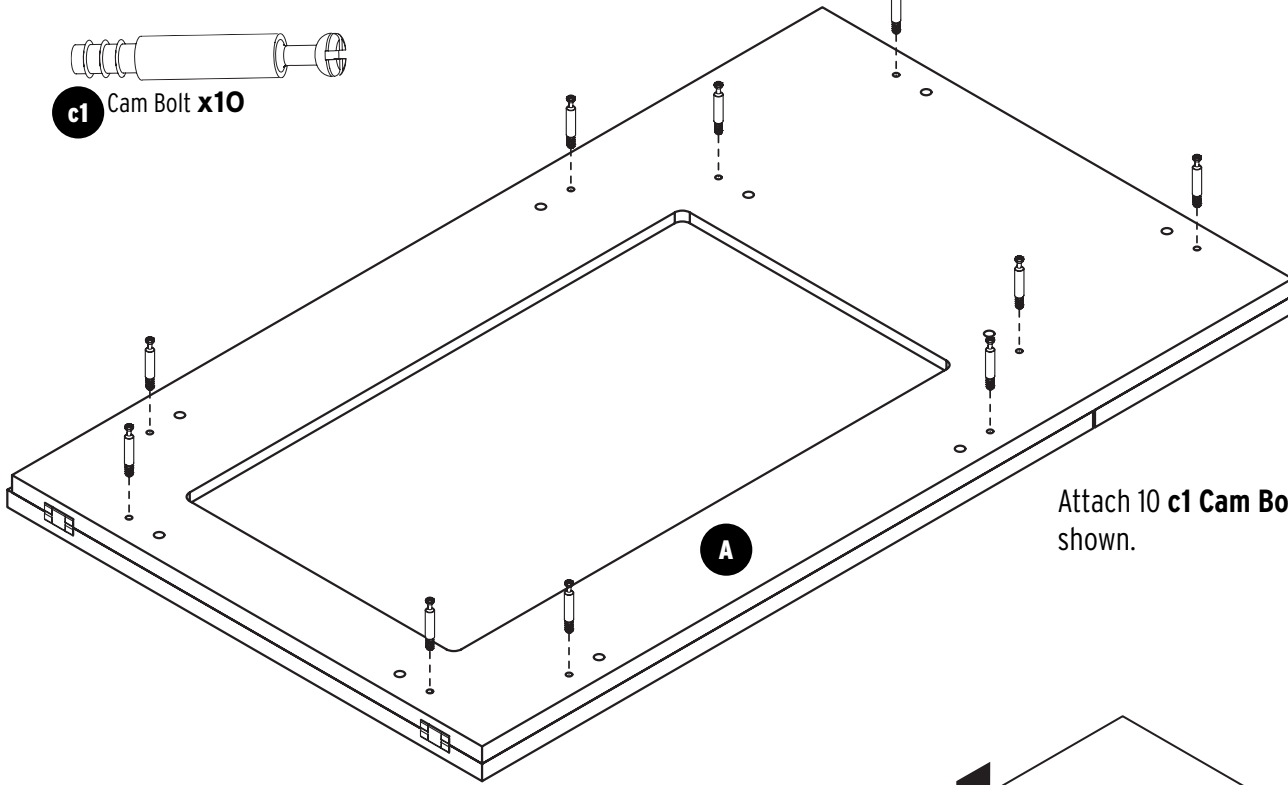
Cut the zip ties on the lift, but DO NOT remove the block yet.

Lower the **Lift** to first lock position by pressing firmly on the platform, and remove the wooden block. It may fall out on its own once your lift is in position. If it does not, pull on the red ribbon to dislodge. **DO NOT ADJUST LIFT POSITION until the top is installed**, or you risk the Lift coming out and cables becoming disengaged.

Parts List: Panels



c1 Cam Bolt **x10**



Attach 10 **c1** Cam Bolts to **Panel A** as shown.

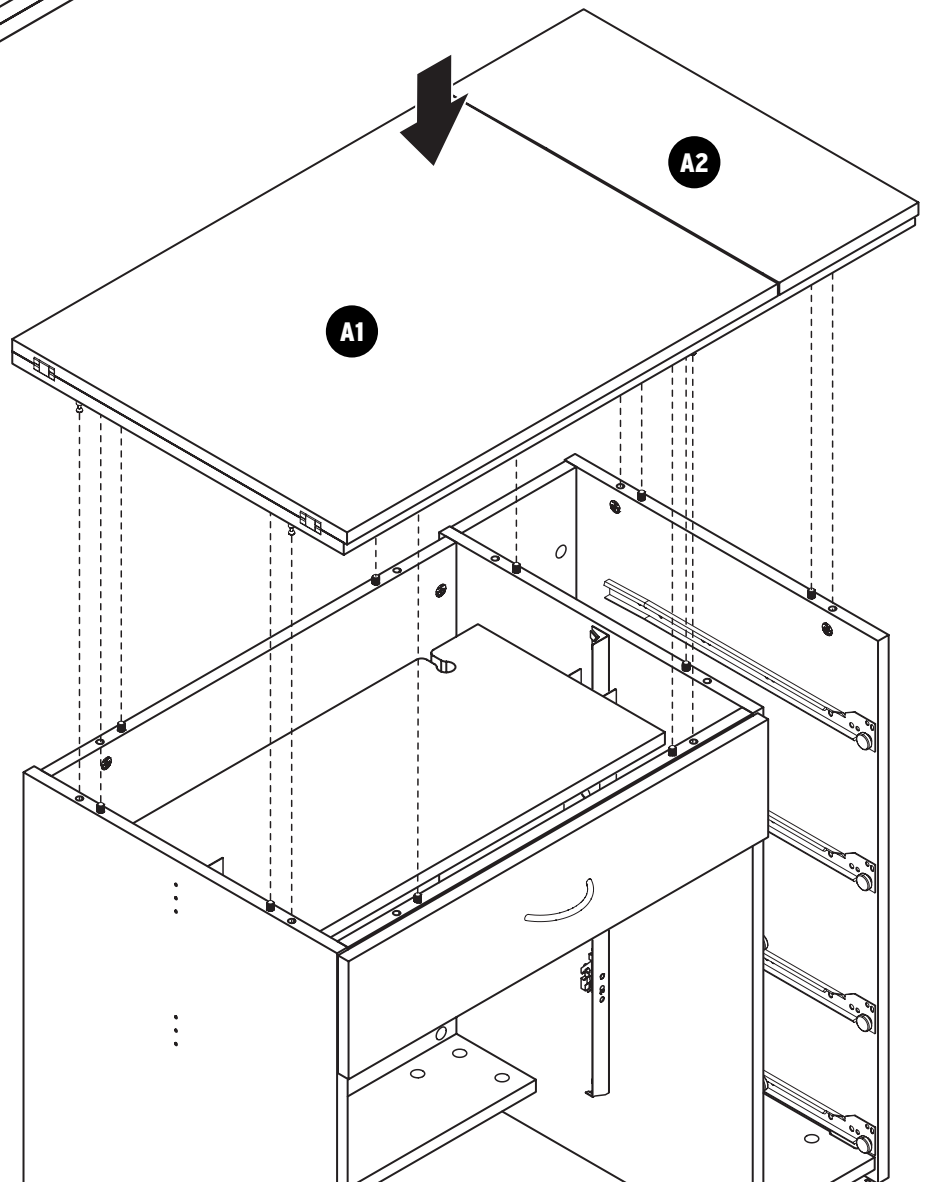


c2 Cam Cover **x10**

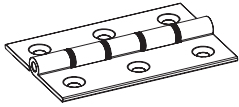
Carefully lower **Panel A/A1/A2** onto the cabinet shell, inserting Cam Bolts into Cam Locks.

Tighten Cam Locks and cover with **c2** Cam Covers.

CAUTION: DO NOT OPEN LEAVES UNTIL SUPPORT PANELS ARE IN PLACE. Attempting to use the side leaves without support panels in place will damage your cabinet and void your warranty.



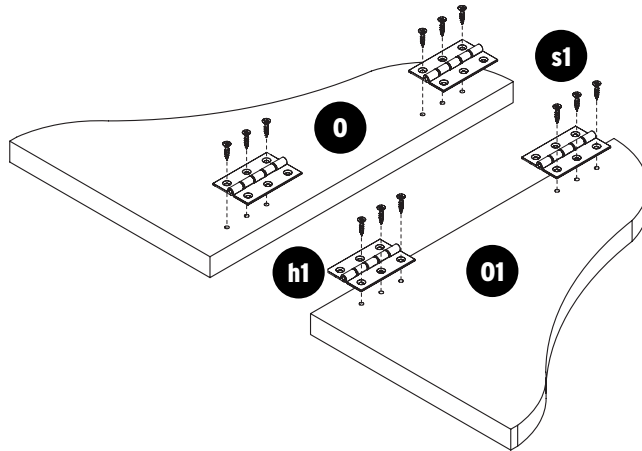
Parts List: Panels



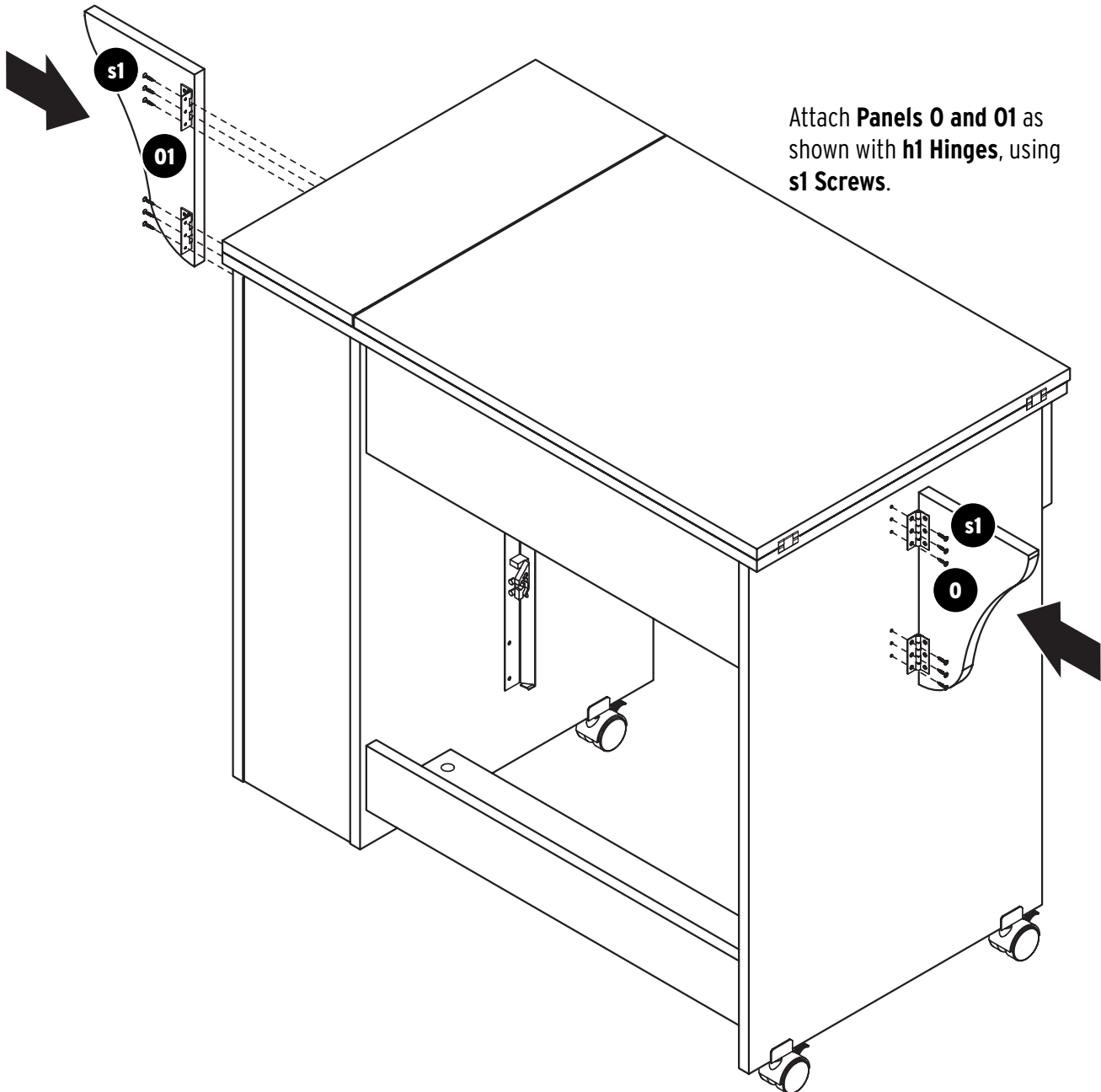
h1 Hinge **x4**



s1 Screw **x24**



Attach **h1** Hinges to **Panels 0** and **01** as shown, using **s1** Screws.



Attach **Panels 0** and **01** as shown with **h1** Hinges, using **s1** Screws.

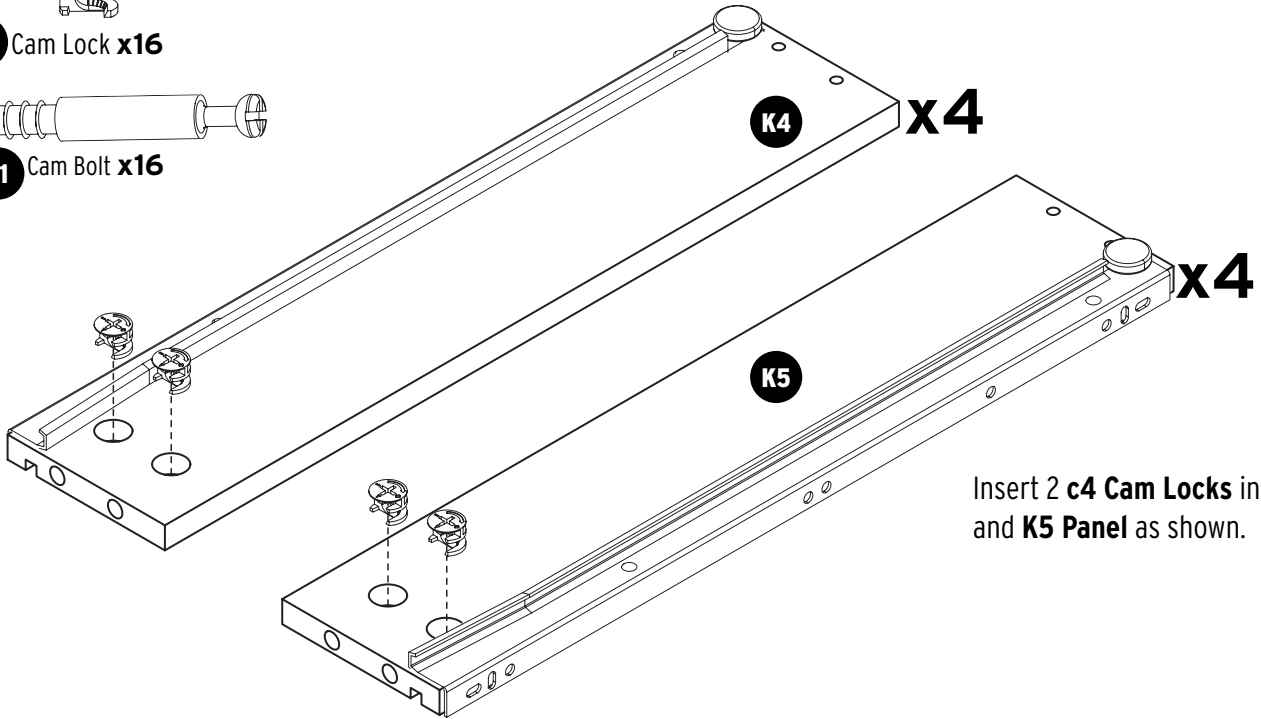
Part 3: Drawers



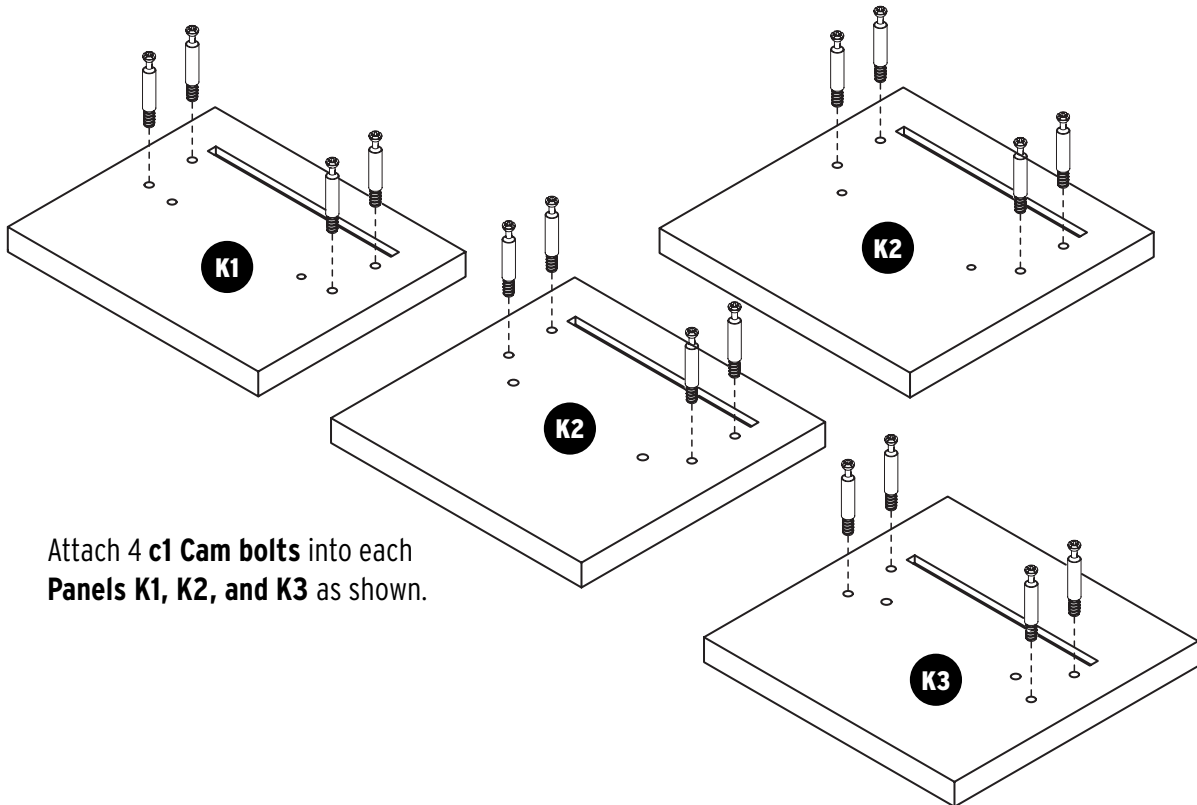
c4 Cam Lock **x16**



c1 Cam Bolt **x16**



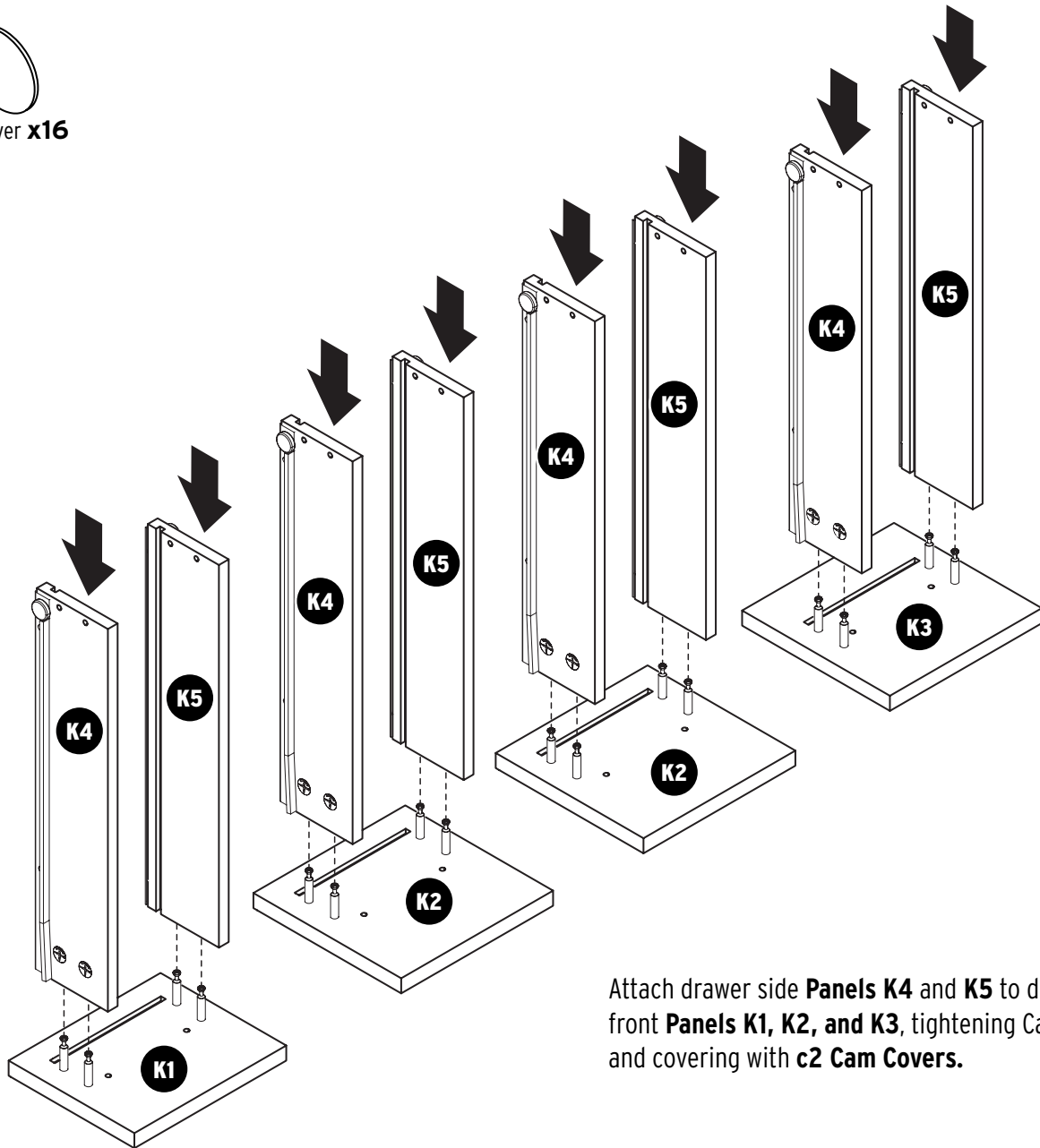
Insert 2 **c4** Cam Locks into each **K4** and **K5** Panel as shown.



Attach 4 **c1** Cam bolts into each **Panels K1, K2, and K3** as shown.

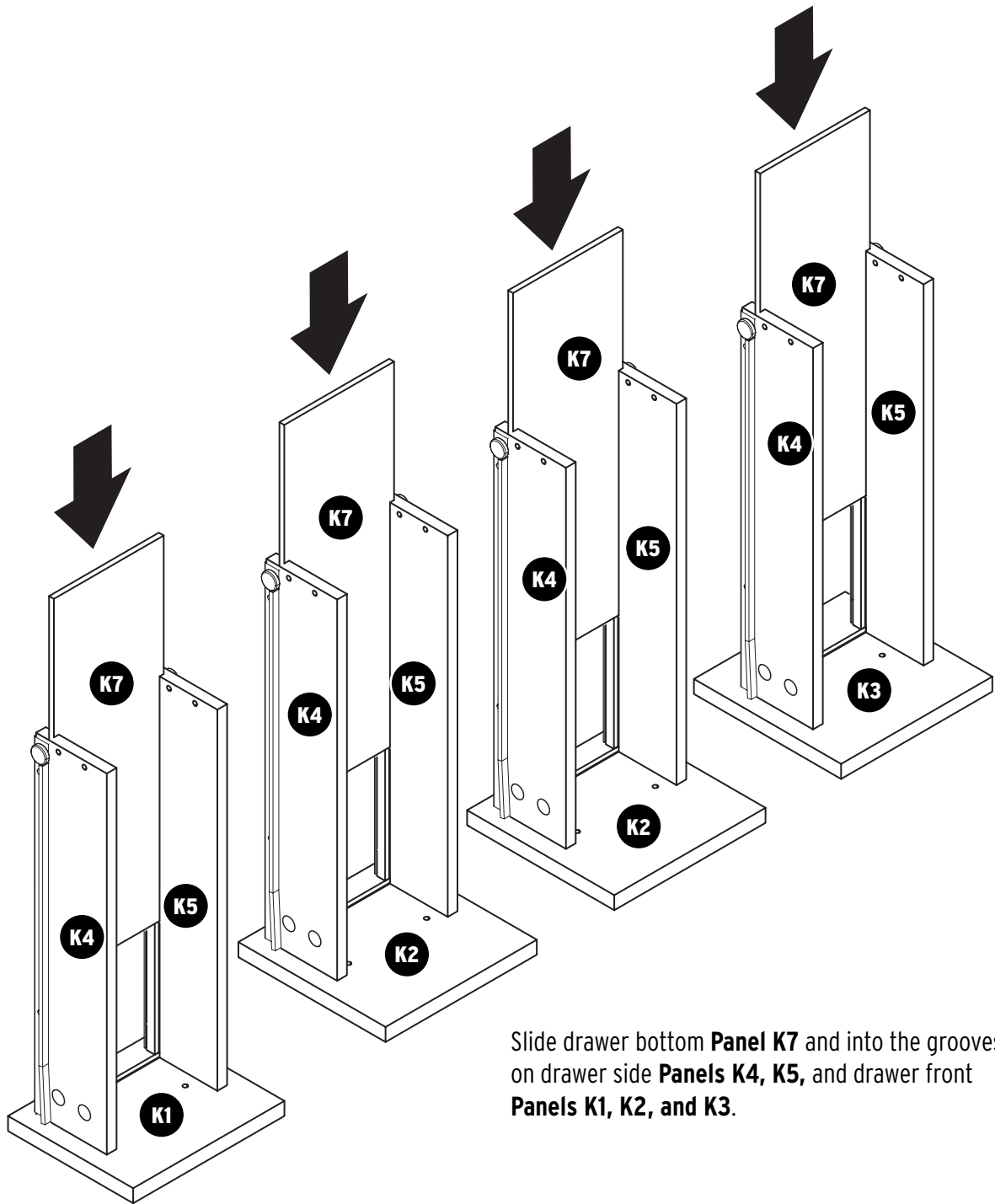
Parts List: Panels


c2 Cam Cover **x16**



Attach drawer side **Panels K4** and **K5** to drawer front **Panels K1, K2, and K3**, tightening Cam Locks and covering with **c2 Cam Covers**.

Parts List: Panels



Parts List: Panels



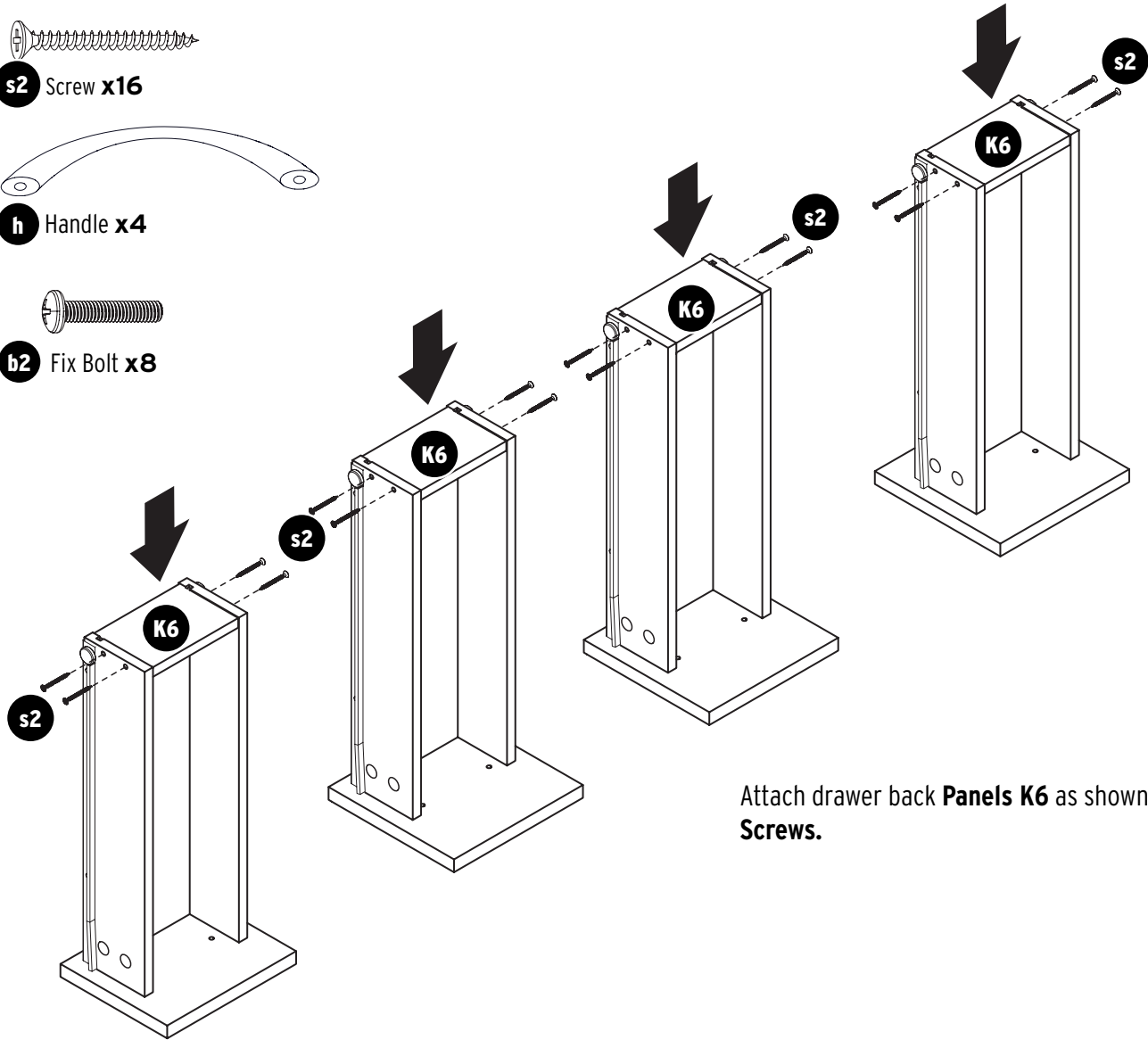
s2 Screw **x16**



h Handle **x4**



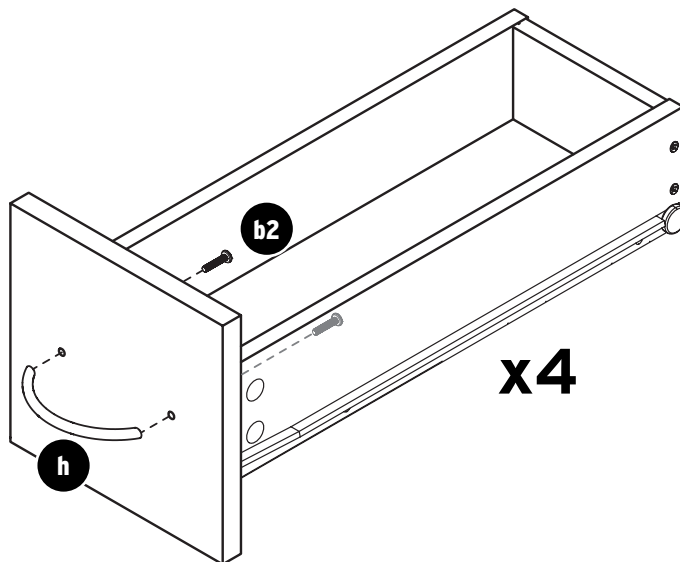
b2 Fix Bolt **x8**



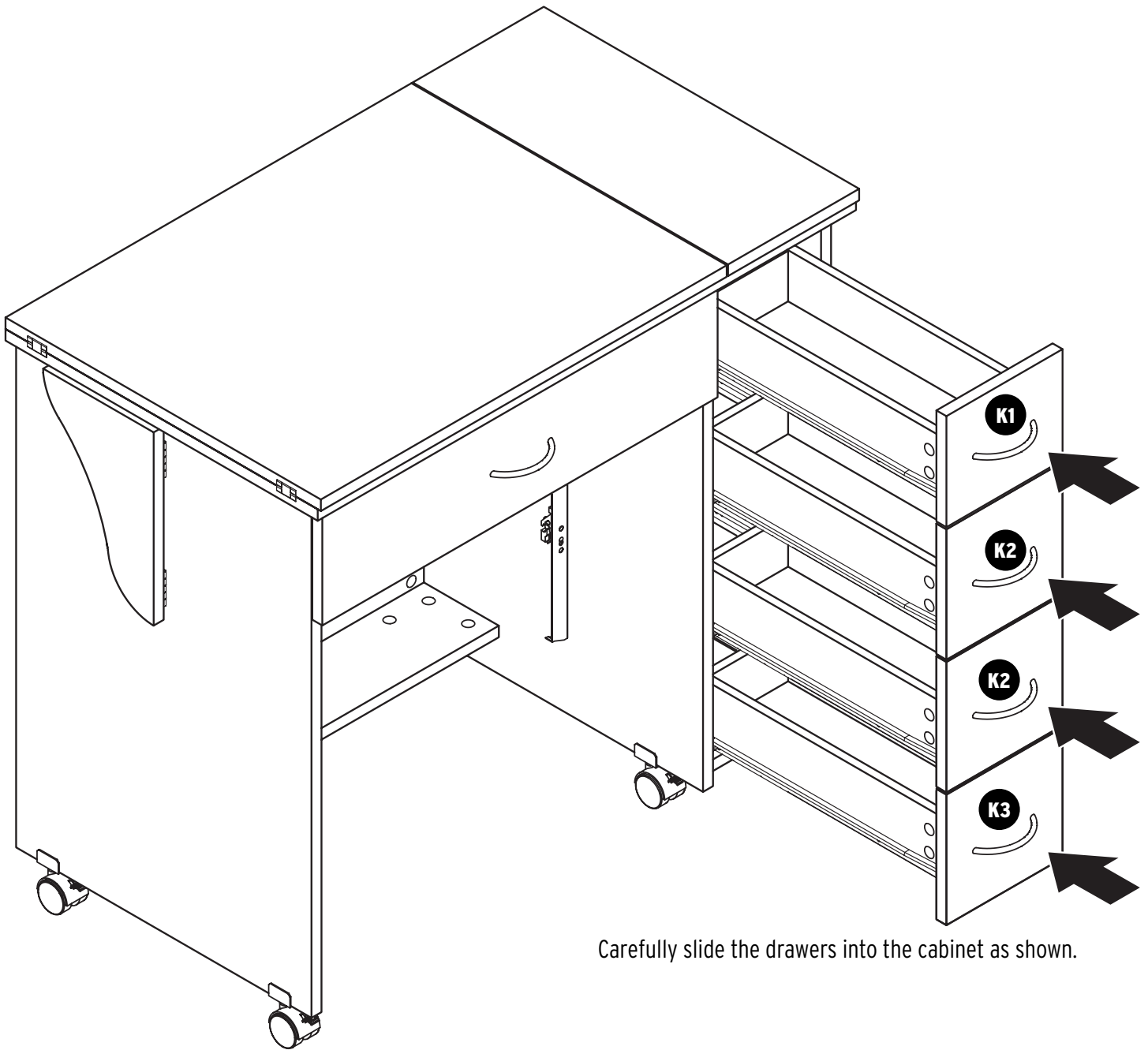
Attach drawer back **Panels K6** as shown, using **s2** Screws.

Attach **h** **Handles** to drawer fronts using **b2** **Fix Bolts**.

Repeat 3x.



Parts List: Panels



Carefully slide the drawers into the cabinet as shown.



Congratulations! A better sewing experience awaits!

Visit arrowsewing.com/assembly for helpful video tutorials on hydraulic lift adjustment and operation.



LIMITED WARRANTY

Arrow Classic Sewing Furniture 10-Year Warranty

WHAT THIS WARRANTY COVERS: Arrow Companies, LLC (Arrow) provides limited warranty coverage to the original purchaser of this product against defects in materials or workmanship of Arrow furniture components for a period of ten years from the date of purchase. As used in this Warranty, "defect" means imperfections in components which substantially impair the utility of the product. This Warranty gives you specific legal rights, and you may also have other rights which vary from state to state.

HOW TO GET SERVICE: Simply contact Arrow at 1-800-533-7347 or CS@ArrowSewing.com. When you request warranty service, you must also present proof of purchase documentation, which includes the date of purchase (detailed receipt), and photos of the product. Arrow will replace any defective part (at its sole option), excluding labor. Replacement parts will be warranted for only the remaining period of the original Warranty.

Replacement parts will be shipped freight prepaid on any initial warranty claim during first year of Warranty only. Warranty applies only to defects confirmed by Arrow Companies, LLC and will be replaced or repaired at Arrow's option. In the event parts are no longer available for a warranty claim, customer may receive brand new cabinet at a price equal to 60% off the MSRP of a current comparable model.

WHAT'S NOT COVERED: There is no Warranty coverage for defects or conditions that result from the following: Failure to follow product assembly instructions, information or warnings; misuse or abuse; intentional damage; fire, flood, alteration or modification of the product; use of the product in a manner inconsistent with its intended use; any condition resulting from incorrect or inadequate maintenance, cleaning, care or neglect; cuts or scratches; caster damage as a result of moving furniture fully loaded or with locked casters; damage resulting from electrical surge or lightning; or use in commercial or education environments. Arrow Sewing Furniture is designed for residential use only.

ARROW SHALL HAVE NO LIABILITY for ANY INCIDENTAL OR CONSEQUENTIAL DAMAGES OF ANY KIND and all such damages are EXCLUDED FROM THIS WARRANTY, such as loss of use, disassembly, transportation, labor or damage to property on or near the product. Some states do not allow the exclusion or limitation of incidental or consequential damages, so the above limitation or exclusion may not apply to you. The Warranty cannot be transferred to subsequent owners or users of the product, and it shall be immediately void in the event the product is resold, transferred, leased or rented to any third party or person other than the original purchaser.

ADDITIONAL LIMITATIONS: THERE ARE NO OTHER WARRANTIES APPLICABLE TO THIS PRODUCT. Under the laws of certain states, there may be no implied warranties from Arrow and all implied warranties, INCLUDING ANY IMPLIED WARRANTY OF MERCHANTABILITY OR FITNESS FOR A PARTICULAR PURPOSE are disclaimed where allowed by law. TO THE EXTENT ANY IMPLIED WARRANTIES ARE APPLICABLE, ANY IMPLIED WARRANTIES, INCLUDING ANY IMPLIED WARRANTY OF MERCHANTABILITY OR FITNESS FOR A PARTICULAR PURPOSE, ARE LIMITED IN DURATION TO THE DURATION OF THIS EXPRESS WARRANTY or the minimum period allowed by law, whichever is shorter. Some states do not allow limitations on how long an implied Warranty lasts, so the above limitation may not apply to you. This limited warranty gives you specific legal rights. This limited warranty does not, in any way, affect the rights given to you by law.

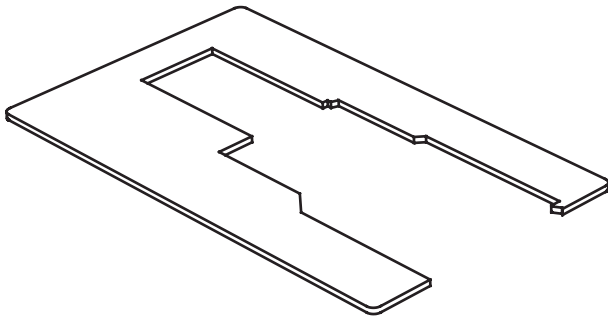
REGISTER YOUR PRODUCT: Original purchaser should register the purchase online at www.ArrowSewing.com/warranty.

COMPLETE YOUR SEWING STUDIO!

Elevate your sewing experience with Arrow's Best Selling Accessories!

Custom Sewing Inserts

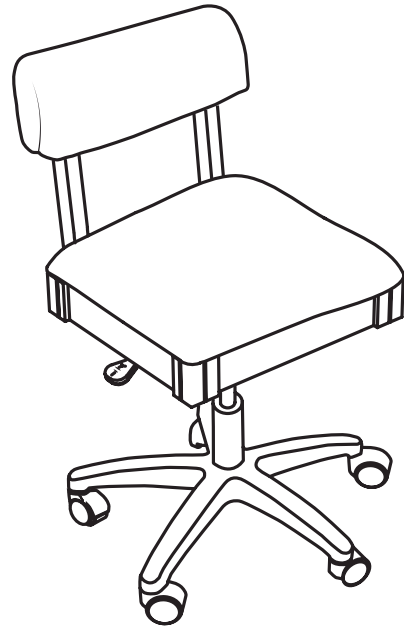
Enhance your sewing experience with a custom acrylic sewing insert! Custom acrylic sewing inserts are designed to fill the gap between your sewing machine and sewing cabinet's lift opening to create a flush, ergonomic surface for flat bed sewing. To ensure a perfect fit, custom acrylic sewing inserts are built specifically for your sewing machine and sewing cabinet combination. Say hello to happy wrists, straighter stitches, and an elevated sewing experience!



Custom Sewing Insert

Sewing Chairs

Arrow's #1 Rated Height Adjustable Sewing Chair is a must have accessory for your dream sewing room! Cute, comfortable and convenient - our lovable sewing chairs feature vibrant sewing themed patterns, 360° swivel access and lumbar support for long hours at your workstation. Don't look now, but under every seat cushion is a hidden storage compartment to store your notions and patterns! Available in 10 colors to perfectly match your sewing sanctuary!



Height Adjustable Sewing Chair